

## Features

- Single pole/double throw
  - Compatible with most surface mount manufacturing processes
  - 50 or 2000 cycle rotational life
  - Tape and reel packaged
- RoHS compliant\* - see [processing information](#) on lead free surface mount components

# 7813 SMD 3 mm Square Sealed Rotary Switch

### Electrical Characteristics

Contact Rating  
 Maximum Current ..... 100 mA max.  
 Maximum Voltage ..... 16 V  
 Contact Timing ..... Non-shorting  
 Contact Resistance ..... 2 ohms max.  
 Insulation Resistance  
 ..... 100 megohms min.  
 Dielectric Strength ..... 250 VAC

### General Characteristics

Switch Type ..... SPDT  
 Operating Temperature Range  
 ..... -55 °C to +125 °C  
 Storage Temperature Range  
 ..... -55 °C to +125 °C  
 Seal Test ..... 85 °C Fluorinert†

### Mechanical Characteristics

Positions ..... 2  
 Adjustment Torque ..... .5 N-cm max.  
 Stop Strength ..... 1.8 N-cm min.

### Environmental Characteristics

Shock ..... 20 G  
 0.1 ms max. discontinuity  
 Vibration ..... 100 G  
 0.1 ms max. discontinuity  
 Thermal Shock ..... (5 cycles)  
 -55 °C to +125 °C

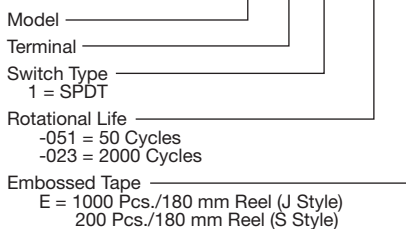
Humidity  
 Insulation Resistance  
 ..... 10 megohms min.

Rotational Life  
 -051 ..... 50 Cycles  
 -023 ..... 2000 Cycles

Standard Packaging  
 J ..... 1,000 pcs./reel  
 S ..... 200 pcs./reel

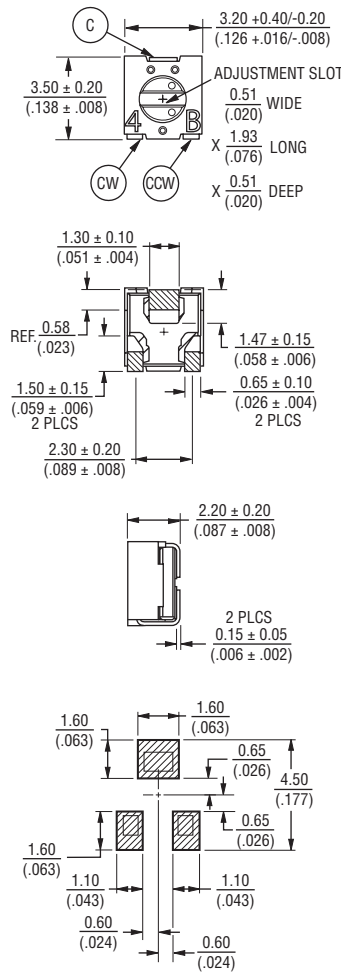
### How to Order

**7813 J - 1 - 051 E**



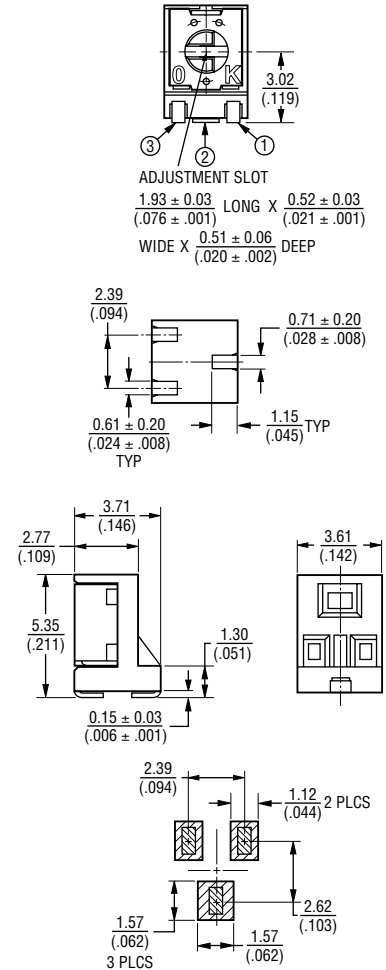
### Product Dimensions

7813J



RECOMMENDED LAND PATTERN

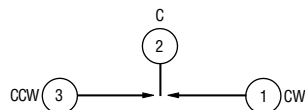
7813S



RECOMMENDED LAND PATTERN

DIMENSIONS:  $\frac{\text{MM}}{\text{(INCHES)}}$

TOLERANCES:  $\pm 2$  EXCEPT WHERE NOTED.



\*RoHS Directive 2002/95/EC Jan 27 2003 including Annex.

†"Fluorinert" is a registered trademark of 3M Co.

Specifications are subject to change without notice.

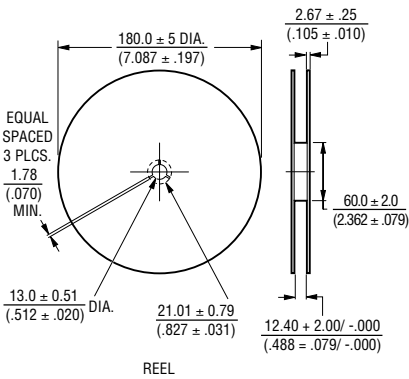
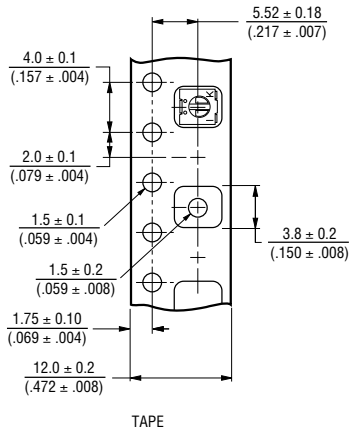
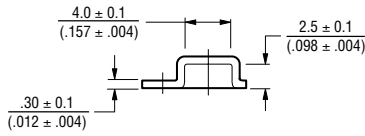
Customers should verify actual device performance in their specific applications

# 7813 SMD 3 mm Square Sealed Rotary Switch

**BOURNS®**

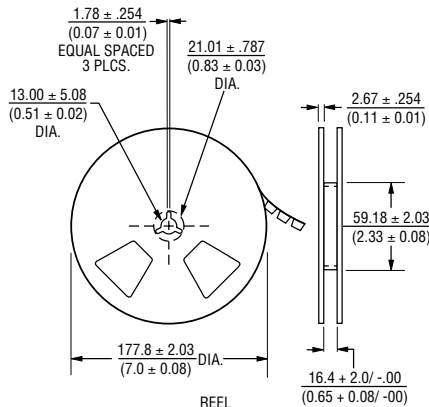
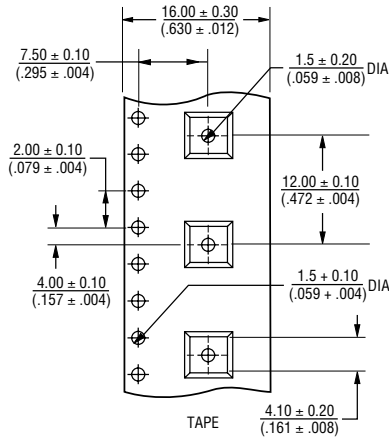
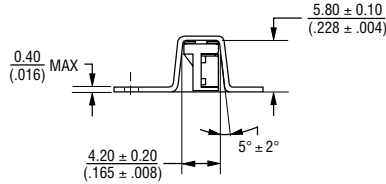
## Packaging Specifications

7813J



Meets EIA 481

7813S



Meets EIA 481

DIMENSIONS:  $\frac{\text{MM}}{\text{(INCHES)}}$

REV. 03/10

Specifications are subject to change without notice.  
Customers should verify actual device performance in their specific applications