



LR1112

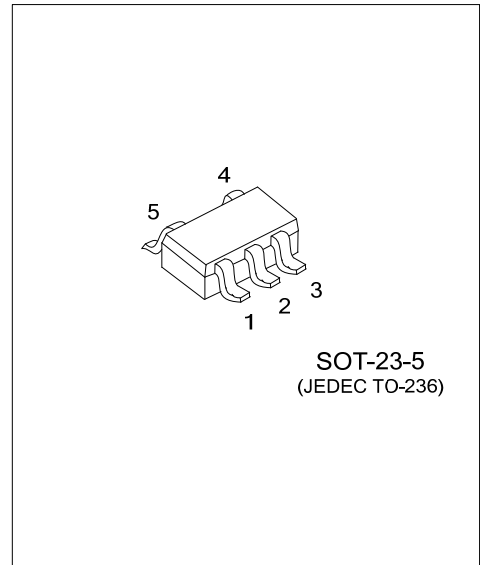
Preliminary

LINEAR INTEGRATED CIRCUIT

150mA, LOW QUIESCENT CURRENT, FAST TRANSIENT LOW DROPOUT LINEAR REGULATOR

DESCRIPTION

The UTC **LR1112** is a CMOS-based 150mA voltage regulator with low supply current, low dropout, adjustable and fixed output voltage. The device consists of pass element, error amplifier, band-gap, current limit and thermal shutdown circuitry. The device is turned on when EN pin is set to logic high level.



FEATURES

- * 150mA low dropout regulator with EN
- * Very low I_Q over full load: 30 μ A
- * Wide input voltage range: 2.5~6V
- * Wide adjustable output: 0.8V~5.0V
- * Fixed output options: 1.0V~3.3V
- * Fast start-up time: 80 μ s
- * PSRR: 65dB at 100Hz
- * Stable with low ESR, 1 μ F ceramic output capacitor
- * Low dropout: 150mV typical at 150mA
- * Excellent Load/Line Transient Response
- * Current limit protection
- * Ambient temperature range: -40 $^{\circ}$ C~85 $^{\circ}$ C

ORDERING INFORMATION

Ordering Number	Package	Packing
LR1112G-xx-AE5-R	SOT-23-5	Tape Reel

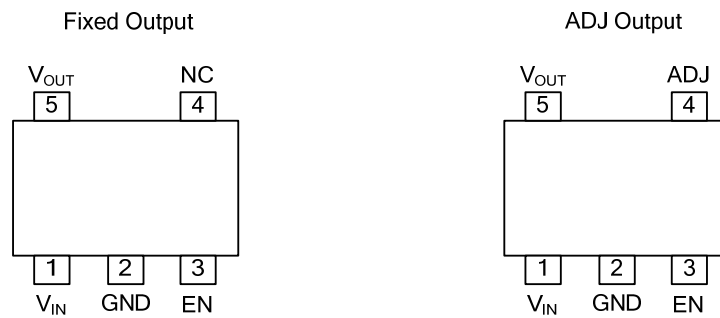
Note: xx: Output Voltage, refer to Marking Information.

<p>LR1112G-xx-AE5-R</p>	<p>(1) R: Tape Reel</p> <p>(2) AE5: SOT-23-5</p> <p>(3) xx: refer to Marking Information</p> <p>(4) G: Halogen Free and Lead Free</p>
-------------------------	---

■ MARKING INFORMATION

PACKAGE	VOLTAGE CODE	MARKING
SOT-23-5	AD: ADJ	

■ PIN CONFIGURATION

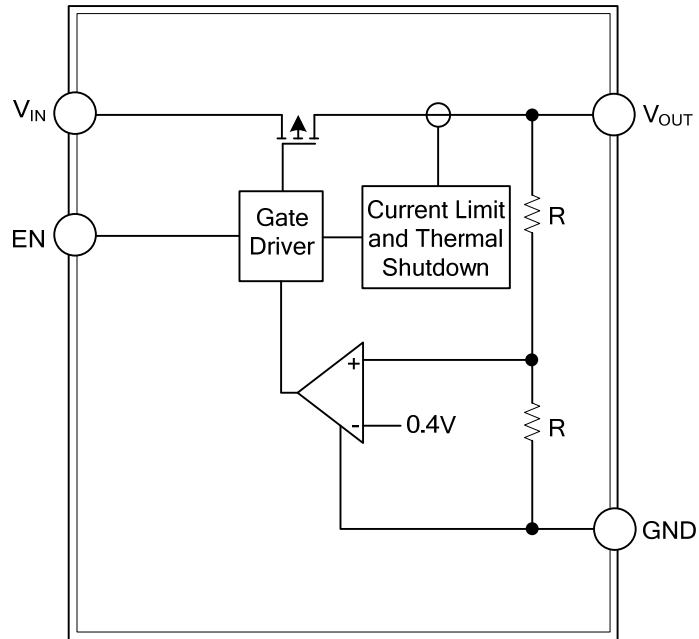


■ PIN DESCRIPTION

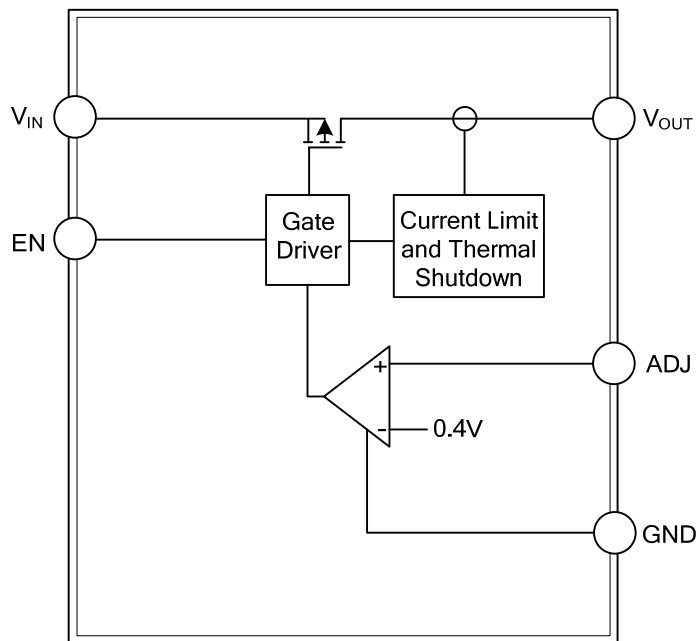
PIN NO.		PIN NAME	DESCRIPTION
Fixed	ADJ		
1	1	V _{IN}	Voltage input pin. Bypass to ground through at least 1μF capacitor
2	2	GND	Ground
3	3	EN	Enable input, active high
-	4	ADJ	Output feedback pin
4	-	NC	No connection
5	5	V _{OUT}	Voltage output pin. Bypass to ground through 1μF ceramic capacitor

■ BLOCK DIAGRAM

Fixed Version



Adjustable Version



■ ABSOLUTE MAXIMUM RATING

PARAMETER	SYMBOL	RATINGS	UNIT
Input Voltage	V_{IN}	7	V
EN Voltage		$V_{IN}+0.3$	V
Continuous Load Current		Internal Limited	
Power Dissipation (Note 1)	P_D	640	mW
Operating Junction Temperature Range	T_{OPR}	-40~125	°C
Junction Temperature	T_J	150	°C
Storage Temperature	T_{STG}	-65~ +150	°C

Note: Absolute maximum ratings are those values beyond which the device could be permanently damaged.

Absolute maximum ratings are stress ratings only and functional device operation is not implied.

■ RECOMMENDED OPERATING CONDITIONS

PARAMETER	SYMBOL	MIN	TYP	MAX	UNIT
Input Voltage	V_{IN}	2.5		6	V
Output Current (Note 2)	I_{OUT}	0		150	mA
Operating Ambient Temperature	T_A	-40		85	°C

■ THERMAL RESISTANCES CHARACTERISTICS

PARAMETER	SYMBOL	RATINGS	UNIT
Junction to Ambient	θ_{JA}	260	°C/W

Note: θ_{JA} is measured in the natural convection at $T_A=25^\circ\text{C}$ on a low effective thermal conductivity test board of JEDEC 51-3 thermal measurement standard.

■ ELECTRICAL CHARACTERISTICS

($T_A=25^\circ\text{C}$, $V_{IN}=V_{OUT}+1\text{V}$, $C_{IN}=1\mu\text{F}$, $C_{OUT}=1\mu\text{F}$, $V_{EN}=2\text{V}$, unless otherwise stated)

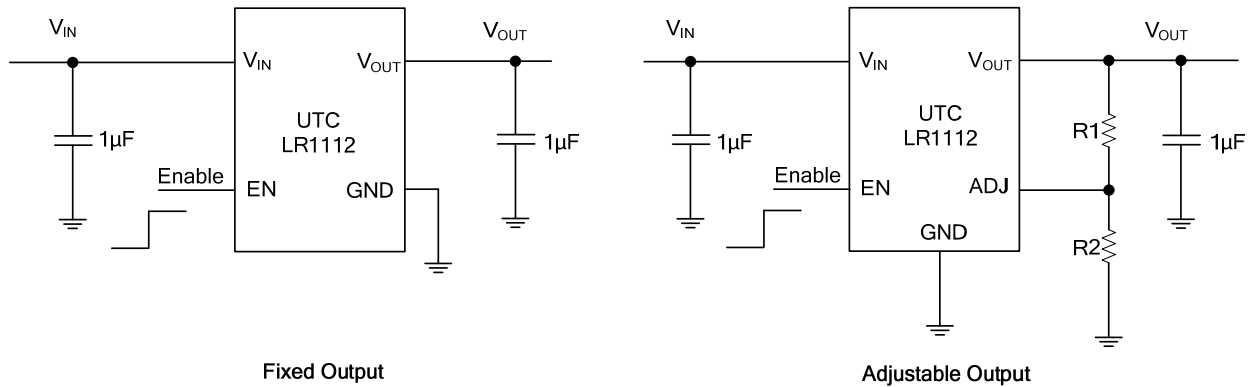
PARAMETER	SYMBOL	TEST CONDITIONS	MIN	TYP	MAX	UNIT
Input Quiescent Current	I_Q	$V_{EN}=V_{IN}$, $I_{OUT}=0\text{mA}$		30	50	μA
		$V_{EN}=V_{IN}$, $I_{OUT}=150\text{mA}$		50	85	μA
Input Shutdown Current	I_{SHDN}	$V_{EN}=0\text{V}$, $I_{OUT}=0\text{mA}$			1	μA
Input Leakage Current	I_{LEAK}	$V_{EN}=0\text{V}$, OUT grounded			1	μA
Dropout Voltage (Note 3)	$V_{Dropout}$	$I_{OUT}=150\text{mA}$		150	300	mV
ADJ Reference Voltage (Adjustable Version)	V_{REF}	$I_{OUT}=0\text{mA}$		0.4		V
ADJ Leakage (Adjustable Version)	I_{ADJ}				1	μA
Output Voltage Accuracy	V_{OUT}	$T_A=-40^\circ\text{C}\sim 85^\circ\text{C}$, $I_{OUT}=30\text{mA}$	-2		2	%
Line Regulation	$\frac{\Delta V_{OUT}}{\Delta V_{IN}/V}$	$V_{IN}=(V_{OUT}+1\text{V})\sim V_{IN-Max}$, $V_{EN}=V_{IN}$, $I_{OUT}=1\text{mA}$		0.01	0.20	%/V
Load Regulation	$\frac{\Delta V_{OUT}}{I_{OUT}}$	$V_{IN}=(V_{OUT}+1\text{V})\sim V_{IN-Max}$, I_{OUT} from 1mA to 150mA	-0.6		0.6	%
Start-Up Time	t_{ST}	$V_{EN}=0\text{V}\sim 2.0\text{V}$, $V_{OUT}=1.8\text{V}$ $I_{OUT}=150\text{mA}$		80		μs
PSRR	PSRR	$V_{IN}=[V_{OUT}+1\text{V}]V_{DC}+0.5\text{VppAC}$, $f=100\text{Hz}$, $I_{OUT}=30\text{mA}$		65		dB
Current Limit	I_{LIMIT}	$V_{IN}=(V_{OUT}+1\text{V})\sim V_{IN-Max}$, $V_{OUT}/R_{OUT}=0.5\text{A}$	200	300		mA
EN Input Logic Low Voltage	V_{IL}	$V_{IN}=V_{IN-Min}\sim V_{IN-Max}$			0.4	V
EN Input Logic High Voltage	V_{IH}	$V_{IN}=V_{IN-Min}\sim V_{IN-Max}$	1.4			V
Thermal Shutdown Threshold	T_{SHDN}			140		$^\circ\text{C}$
Thermal Shutdown Hysteresis	T_{HYS}			15		$^\circ\text{C}$

Notes: 1. Ratings apply to ambient temperature at 25°C

2. The device maintains a stable, regulated output voltage without a load current.

3. Dropout voltage is the voltage difference between the input and the output at which the output voltage drops 2% below its nominal value. This parameter only applies to output voltages above 1.8V.

■ TYPICAL APPLICATION CIRCUIT



$$V_{OUT} = V_{REF} \left(1 + \frac{R1}{R2} \right)$$

UTC assumes no responsibility for equipment failures that result from using products at values that exceed, even momentarily, rated values (such as maximum ratings, operating condition ranges, or other parameters) listed in products specifications of any and all UTC products described or contained herein. UTC products are not designed for use in life support appliances, devices or systems where malfunction of these products can be reasonably expected to result in personal injury. Reproduction in whole or in part is prohibited without the prior written consent of the copyright owner. The information presented in this document does not form part of any quotation or contract, is believed to be accurate and reliable and may be changed without notice.