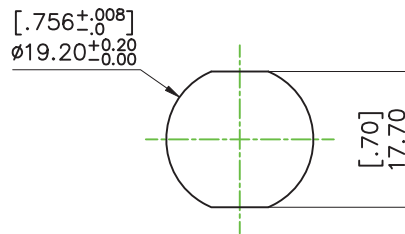
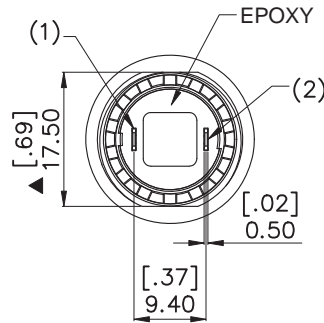
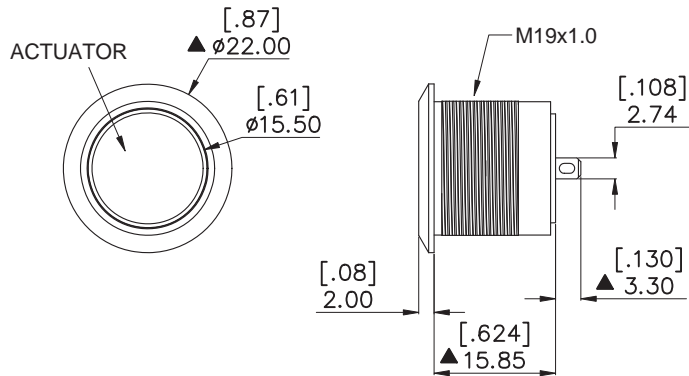


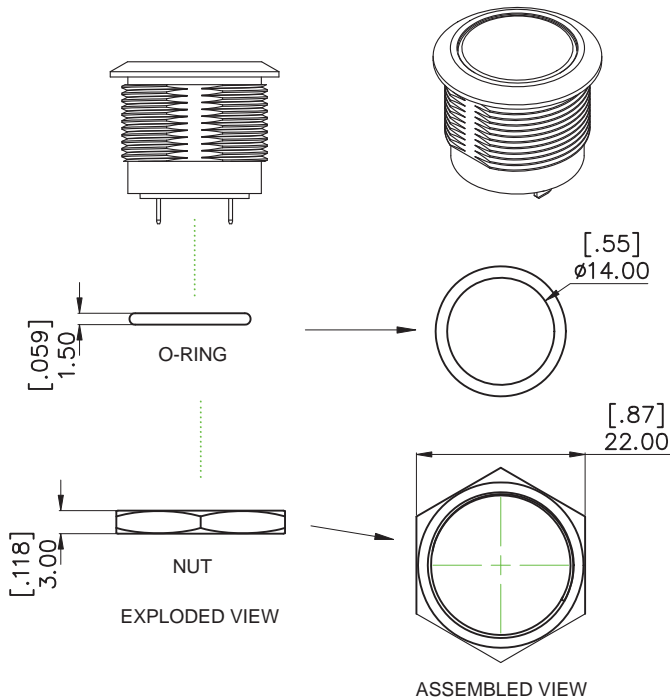
本公司智慧財產，未經同意不得複製  
DAILYWELL copyright, may not be used  
without permission from DAILYWELL



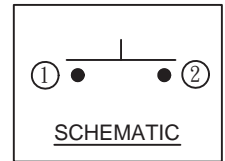
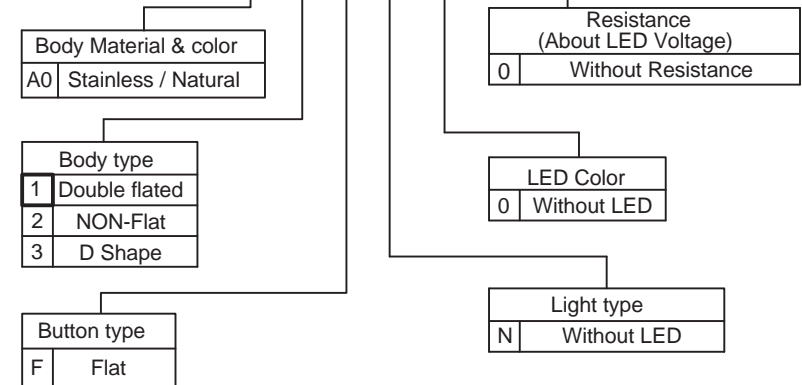
PANEL CUTOUT  
THICKNESS: 6.0mm(Max.)

**MATERIAL:**

BUSHING: Stainless Steel.  
BASE: PA66, White UL-94V0  
ACTUATOR: PC, Translucent. UL-94V2  
Stainless Steel.  
INNER ASSEMBLY: PC, Transparent UL-94V2.  
SPRING: Spring steel.  
SEALING: Silicone, Translucent.  
O-Ring: Silicone.  
TERMINAL: Brass, Gold flash plated.  
HEX NUT: Brass, Nickel plated.  
CONTACT: Brass, Silver alloy.



MPS19- A0 X F N- X-JR- XV



**SPECIFICATIONS**

- 1.RATING: 2A/36VDC.
- 2.ELECTRICAL LIFE: 200,000 MAKE-AND-BREAK CYCLES AT FULL LOAD.
- 3.MECHANICAL LIFE: 1,000,000. CYCLES
- 4.INSULATION RESISTANCE: 1,000MΩ MIN AT 500VDC .
- 5.DIELECTRIC STRENGTH: 2,000V RMS@sea level.
- 6.CONTACT RESISTANCE: 50mΩ MAX. @1A 12VDC(initial value).
- 7.OPERATING TEMPERATURE: -20°C to 70°C.
- 8.TRAVEL: ABOUT 1.8±0.2mm.
- 9.OPERATION PRESSURE: 4.5±1.5N.
- 10.INGRESS PROTECTION: IP67,IK10(Stainless).
- 11.TORQUE: 1~3Nm.

德利威電子股份有限公司  
DAILYWELL ELECTRONICS CO.,LTD.

符號	原尺寸	修改後尺寸	變更日期	SCALE (比例) : 1 : 1	TITLE 圖名	SHORT METAL PUSHBUTTON SWITCH	SIZE 圖紙	A4		
1	(A)			TOLERANCE (公差) : 0.00mm±0.25mm 0.0mm±0.40mm ANGULAR: ±2° FILE NAME : MPS19-0003	DWG NO. 圖號	MPS19-A01FN-0-JR-0V	UNIT 單位	inch mm		
2	(B)				REV. 版本	A	DATE 日期	SEP - 19 - 2018	SHEET 張數	1 of 1
3	(C)				APPROVE 審核	陳燈財	CHECK 確認	林昆鴻	DRAW 製圖	IRENE
4	(D)									
5	(E)									