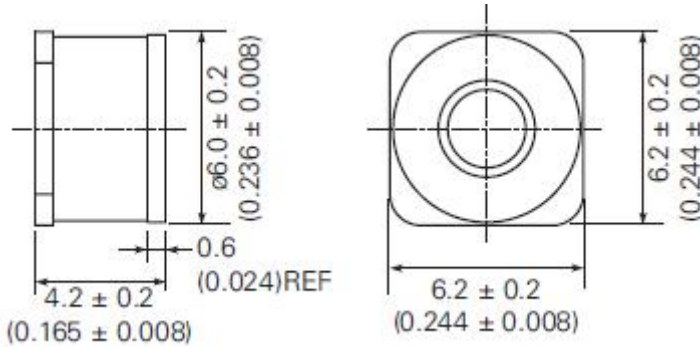


2-Electrode Gas Discharge Tubes

5KA



1: Dimension(mm)



2: Main Applications

- PCI Cards protection
- Telephone/Fax/Modem protection
- single line protection
- ADSL/XDSL Splitter, Power Supply
- Surge Protection Device/Surge Protector

- 100% Lead-Free (RoHS Compliant)
- Non-Radioactive
- Low capacitance (≤ 1 pF)
- Fast Response-time, High Insulation Resistance.
- Small size : $\text{Ø}6.2 \times 4.2$ (mm)

4 Electrical Characteristics

Part Number	DC Spark-over Voltage @ 100V/S	Impulse Spark-over Voltage @ 100V/ μ s	Impulse Spark-over Voltage @ 1KV/ μ s	Insulation Resistance	Impulse discharge current (8/20 μ s)	AC discharge current (50Hz, 1s, 10times)	Capacitance (1MHz)
	V	V	V	G Ω	10 Times	A	PF
H2R6-75SMD1	75 \pm 20%	<500	<600	>1	5KA	5	≤ 1
H2R6-90SMD1	90 \pm 20%	<500	<600	>1	5KA	5	≤ 1
H2R6-150SMD1	150 \pm 20%	<500	<600	>1	5KA	5	≤ 1
H2R6-230SMD1	230 \pm 20%	<600	<700	>1	5KA	5	≤ 1
H2R6-250SMD1	250 \pm 20%	<600	<700	>1	5KA	5	≤ 1
H2R6-350SMD1	350 \pm 20%	<900	≤ 1000	>1	5KA	5	≤ 1
H2R6-400SMD1	400 \pm 20%	<900	≤ 1000	>1	5KA	5	≤ 1
H2R6-420SMD1	420 \pm 20%	<900	≤ 1000	>1	5KA	5	≤ 1
H2R6-470SMD1	470 \pm 20%	<1100	≤ 1200	>1	5KA	5	≤ 1
H2R6-600SMD1	600 \pm 20%	<1200	≤ 1300	>1	5KA	5	≤ 1

Specifications are subject to change without notice

sales@huaandz.com