

**PLEASE CHECK WWW.MOLEX.COM FOR LATEST PART INFORMATION**

**Part Number:** [0443002400](#)  
**Status:** **Active**  
**Overview:** [microfit\\_30](#)  
**Description:** 3.00mm (.118") Micro-Fit 3.0 BMI™ Plug Housing, Dual Row, Panel Mount, 24 Circuits

**Documents:**

[3D Model](#) [Product Specification PS-44300-001 \(PDF\)](#)  
[Drawing \(PDF\)](#) [RoHS Certificate of Compliance \(PDF\)](#)

**Agency Certification**

CSA	LR19980
TUV	R72081037
UL	E29179

**General**

Product Family	Crimp Housings
Series	<a href="#">44300</a>
Overview	<a href="#">microfit_30</a>
Product Literature Order No	USA-106
Product Name	Micro-Fit 3.0 BMI™

**Physical**

Circuits (maximum)	24
Color - Resin	Black
Flammability	94V-0
Gender	Male
Glow-Wire Compliant	No
Material - Resin	Polyester
Number of Rows	2
Packaging Type	Bag
Panel Mount	Yes
Pitch - Mating Interface (in)	0.118 In
Pitch - Mating Interface (mm)	3.00 mm
Stackable	No
Temperature Range - Operating	-40°C to +105°C

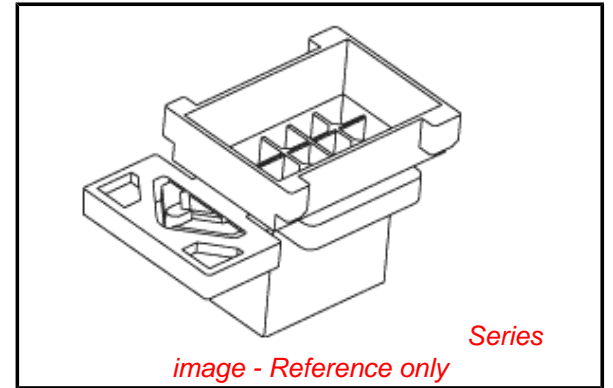
**Electrical**

Current - Maximum per Contact	5A
-------------------------------	----

**Material Info**

**Reference - Drawing Numbers**

Packaging Specification	PK-44300-002
Product Specification	PS-44300-001, RPS-44300-001
Sales Drawing	SD-44300-001



**EU RoHS**

**ELV and RoHS Compliant**  
**REACH SVHC**  
 Not Reviewed  
**Halogen-Free Status**

**China RoHS**



**Not Halogen-Free**

**Need more information on product environmental compliance?**

Email [productcompliance@molex.com](mailto:productcompliance@molex.com)  
 For a multiple part number RoHS Certificate of Compliance, [click here](#)

Please visit the [Contact Us](#) section for any non-product compliance questions.

**Search Parts in this Series**

[44300Series](#)

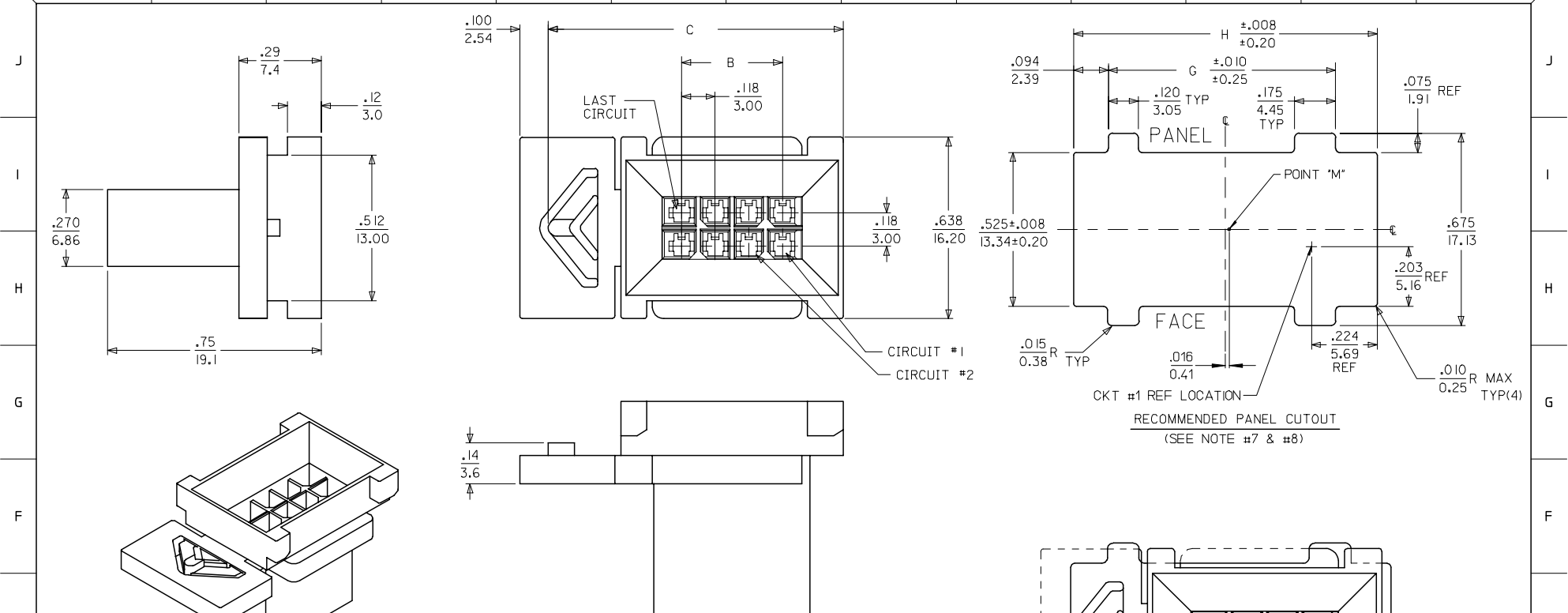
**Mates With**

[44133](#) , [44764](#) , [44769](#)

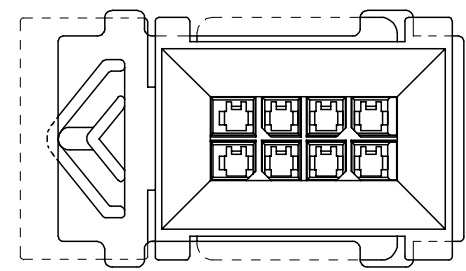
**Use With**

[43031](#)

13 12 11 10 9 8 7 6 5 4 3 2 1



- NOTES:
1. MATERIAL:  
UNFILLED POLYESTER (PBT), UL94V-0,  
COLOR: BLACK
  2. FINISH: N/A
  3. PRODUCT SPECIFICATION: PS-44300-001
  4. PACKAGING SPECIFICATION:  
BP - BULK PACKED PER PK-44300-001  
TP - TRAY PACKED PER PK-44300-002
  5. THIS PLUG MATES WITH MOLEX BMI RECEPTACLE 44133.  
(MOLEX DRAWING SD-44133-001)
  6. THIS PLUG TO BE USED WITH MOLEX MALE CRIMP  
TERMINALS ONLY. (MOLEX DRAWING SD-43031-xxxx)
  7. THIS PLUG IS DESIGNED FOR USE WITH .062/1.57 MAX. TO .050/1.27 MINIMUM THICK PANELS.
  8. WHEN MATING WITH 44133 SERIES, POINT 'M' MUST ALIGN WITH THE PANEL CUT-OUT CENTERLINES  
DEFINED BY MOLEX DRAWING SD-44133-001.
  9. HOUSING MAY EXHIBIT A SURFACE IMPERFECTION KNOWN AS 'SINK MARKS' UP TO .024/0.60 MAX.  
THIS IS COSMETIC DEFECT AND DOES NOT EFFECT FUNCTION OF THE CONNECTOR.



CKT SIZE	MATERIAL NUMBER	DIM "B"	DIM "C"	DIM "G"	DIM "H"	PACKAGING (SEE NOTE 4)
4	44300-0400	.118 3.00	.80 20.3	.585 14.85	.821 20.85	BP
6	44300-0600	.236 6.00	.92 23.3	.703 17.85	.939 23.85	
8	44300-0800	.354 9.00	1.04 26.3	.821 20.85	1.057 26.85	
10	44300-1000	.472 12.00	1.16 29.3	.939 23.85	1.175 29.85	
12	44300-1200	.591 15.00	1.28 32.3	1.057 26.85	1.293 32.85	TP
14	44300-1400	.709 18.00	1.39 35.3	1.175 29.85	1.411 35.85	
16	44300-1600	.827 21.00	1.51 38.3	1.293 32.85	1.530 38.85	
18	44300-1800	.945 24.00	1.63 41.3	1.411 35.85	1.648 41.85	
20	44300-2000	1.063 27.00	1.75 44.3	1.530 38.85	1.766 44.85	BP
22	44300-2200	1.181 30.00	1.87 47.3	1.648 41.85	1.884 47.85	
24	44300-2400	1.299 33.00	1.98 50.3	1.766 44.85	2.002 50.85	

REVISE PACKAGING FC NO: UCP2007-2862 DRAWN BY: J1 CHKD: SSOUSEK APPR: FSM TH 2007/05/15 2007/06/01 2007/06/04	QUALITY SYMBOLS ◀=0 ▽=0	GENERAL TOLERANCES (UNLESS SPECIFIED) mm INCH 4 PLACES ± --- ± --- 3 PLACES ± --- ± .010 2 PLACES ± 0.25 ± .014 1 PLACE ± 0.35 ± --- ANGULAR ±1/2°	DIMENSION STYLE IN/MM DRAWN BY: SOMMER DATE: 1998/11/25 CHECKED BY: SOMMER DATE: 1998/11/25 APPROVED BY: EDGLEY DATE: 1998/11/25	SCALE: 4:1 DESIGN UNITS: METRIC THIRD ANGLE PROJECTION	MICRO-FIT 3.0 DUAL ROW BMI PANEL MOUNT PLUG MOLEX INCORPORATED	SHEET NO. 1 OF 1
	DRAFT WHERE APPLICABLE MUST REMAIN WITHIN DIMENSIONS		SEE CHART	MATERIAL NO. SD-44300-001 DOCUMENT NO.	MOLEX INCORPORATED	
	THIS DRAWING CONTAINS INFORMATION THAT IS PROPRIETARY TO MOLEX INCORPORATED AND SHOULD NOT BE USED WITHOUT WRITTEN PERMISSION		SIZE C		SD-44300-001	

12 11 10 9 8 7 6 5 4 3 2 1