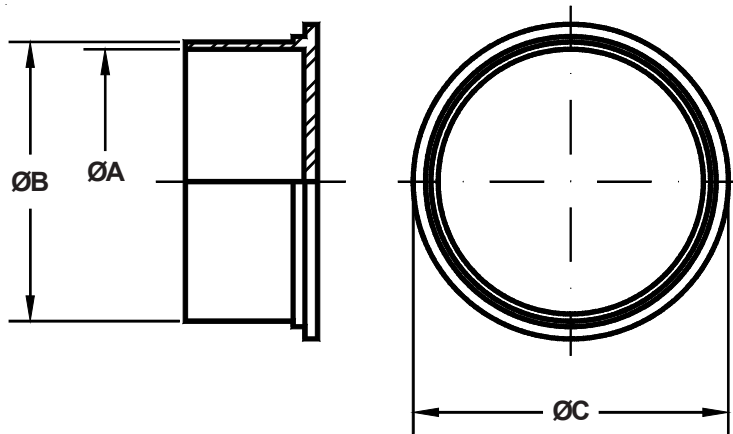


**TABLE I: PLUG PLASTIC DUST CAP  
PART NUMBERS, SHELL SIZE AND DIMENSIONS**

Part Number	Shell Size	$\varnothing A$ $\pm 0.25$	$\varnothing B$ $\pm 0.25$	$\varnothing C$ $\pm 0.78$
IT 90376-10R	Plug 10SL	15.37	16.89	21.33
IT 90376-14R	Plug 14S	21.59	22.99	28.57
IT 90376-16R	Plug 16S - 16	23.80	26.29	30.99
IT 90376-18R	Plug 18	27.76	29.34	33.78
IT 90376-20R	Plug 20	31.28	33.04	37.21
IT 90376-22R	Plug 22	34.04	35.81	40.38
IT 90376-24R	Plug 24	37.16	38.94	43.18
IT 90376-28R	Plug 28	43.56	45.46	49.53
IT 90376-32R	Plug 32	49.91	51.82	56.39
IT 90376-36R	Plug 36	56.26	58.16	61.85
IT 90376-40R	Plug 40	61.98	64.26	67.56



**Application Notes:**

1. Plastic cap for plug connectors for protection against dust and mechanical damage.

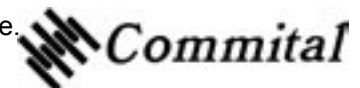
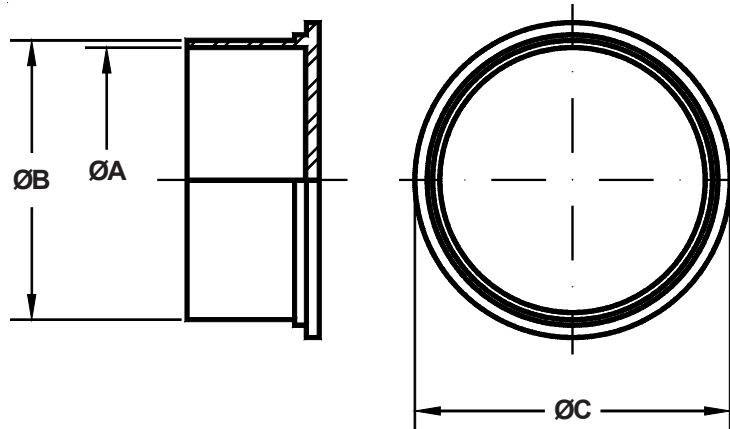


TABLE II: RECEPTACLE PLASTIC DUST CAP  
 PART NUMBERS, SHELL SIZE AND DIMENSIONS

Part Number	Shell size	ØA ±0.25	ØB ±0.25	ØC ±0.78
TP02-10SL	Receptacle 10SL	18.00	20.60	25.00
TP02-14S	Receptacle 14S	24.40	27.05	30.00
IT90376-18Y	Receptacle 16S - 16	26.11	27.63	31.75
TP02-18	Receptacle 18	30.40	33.15	37.00
IT90376-22R	Receptacle 20	34.04	35.81	40.38
IT90376-24R	Receptacle 22	37.16	38.94	43.18
TP02-24	Receptacle 24	40.65	43.20	47.00
TP02-28	Receptacle 28	46.45	49.05	52.00
TP02-32	Receptacle 32	53.15	55.75	60.00
TP02-36	Receptacle 36	59.35	61.95	66.00
TP02-40	Receptacle 40	65.25	67.85	72.00



**Application Notes:**

1. Plastic cap for receptacle connectors for protection against dust and mechanical damage.

