

# Resin Sealed SMD Crystal



Model: FQ1045A

RoHS Compliant / Pb Free

Rev. 5/5/2014

Page 1 of 2

[http://www.foxonline.com/need\\_a\\_sample.htm](http://www.foxonline.com/need_a_sample.htm)



## FEATURES

- Surface Mount Resin Sealed
- Low Cost
- Ultra Low Profile
- Fundamental

## OPTIONS

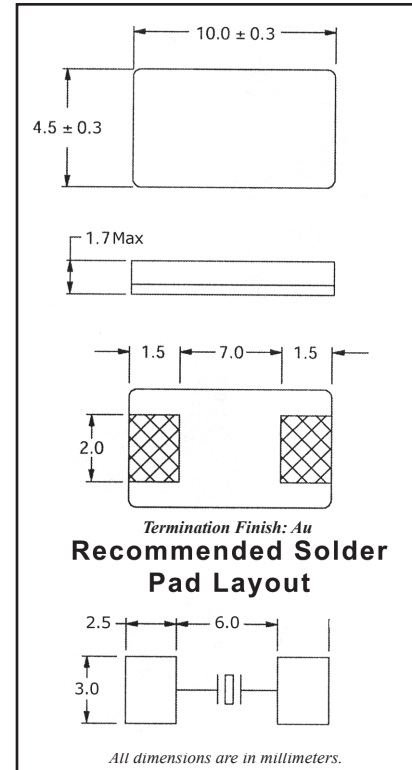
- Tolerances to  $\pm 20$  PPM
- Stabilities to  $\pm 20$  PPM
- Temp Range to  $-40^{\circ}\text{C} \sim +85^{\circ}\text{C}$

• PART NUMBER		
Part Number	Model Number	Frequency Range (MHz)
735A-Frequency-xxxxx	FQ1045A	3.2768 ~ 7.000

• STANDARD SPECIFICATIONS <sup>1</sup>	
PARAMETERS	MAX (unless otherwise noted)
Frequency Range (Fo)	3.2768 ~ 7.000 MHz
Frequency Tolerance @ 25°C	$\pm 30$ PPM <sup>1</sup>
Frequency Stability, ref @ 25°C Over Operating Temp Range	$\pm 30$ PPM <sup>1</sup>
Temperature Range	
Operating (TOPR)	$0^{\circ}\text{C} \sim +70^{\circ}\text{C}$ <sup>1</sup>
Storage (TSTG)	$-40^{\circ}\text{C} \sim +85^{\circ}\text{C}$
Shunt Capacitance (Co)	7 pF
Load Capacitance (CL)	10 pF ~ Series (Customer Specified)
Drive Level	0.5 mW
Aging per year	$\pm 5$ PPM

<sup>1</sup> Other tolerances, stabilities & operating temperature ranges available. Consult Fox Customer Service for specific requirements.

**NOTE:** The above specifications, having been carefully prepared and checked, is believed to be accurate at the time of publication; however, no responsibility is assumed by Fox Electronics for inaccuracies. All specifications subject to change without notice.



Frequency Range (MHz)	Operating Mode	Max ESR $\Omega$
3.2768 ~ 7.000	Fundamental	150

# Resin Sealed SMD Crystal



Model: FQ1045A

RoHS Compliant / Pb Free

Rev. 5/5/2014

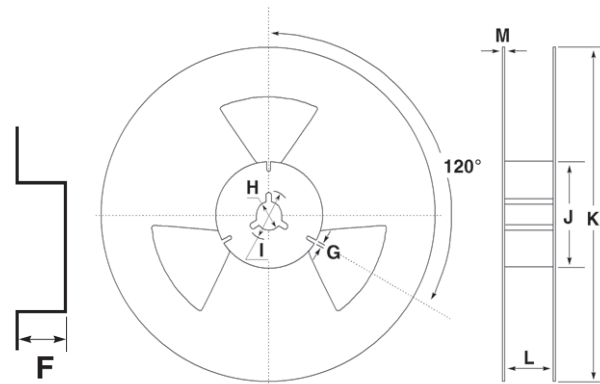
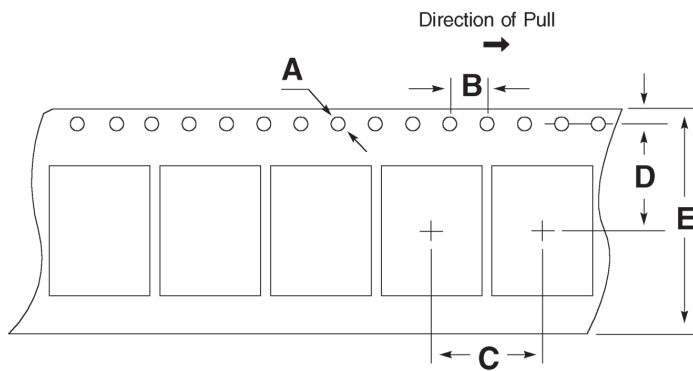
Page 2 of 2

[http://www.foxonline.com/need\\_a\\_sample.htm](http://www.foxonline.com/need_a_sample.htm)

Need a  
Sample®

• TAPE SPECIFICATIONS (millimeters)							
MODEL	A	B	C	D	E	F	STD Reel QTY
FQ1045A	Ø1.5	4.0	8.0	11.5	24.0	2.0	1,000

• REEL SPECIFICATIONS (millimeters)							
MODEL	G	H	I	J	K	L	M
FQ1045A	2.0	Ø13	Ø21	Ø100	Ø330	24.4	2.0



All specifications subject to change without notice.

• FQ1045A Standard Crystals					
Part Number	Frequency	Tolerance	Stability	Temp Range	CL
FQ1045A-3.6864	3.686400	+/- 30 ppm	+/- 30 ppm	0 to +70 C	20pF
FQ1045A-4.000	4.000000	+/- 30 ppm	+/- 30 ppm	0 to +70 C	20pF
FQ1045A-6.000	6.000000	+/- 30 ppm	+/- 30 ppm	0 to +70 C	20pF
FQ1045AR-3.6864	3.686400	+/- 30 ppm	+/- 50 ppm	-40 to +85 C	20pF
FQ1045AR-4.000	4.000000	+/- 30 ppm	+/- 50 ppm	-40 to +85 C	20pF
FQ1045AR-6.000	6.000000	+/- 30 ppm	+/- 50 ppm	-40 to +85 C	20pF