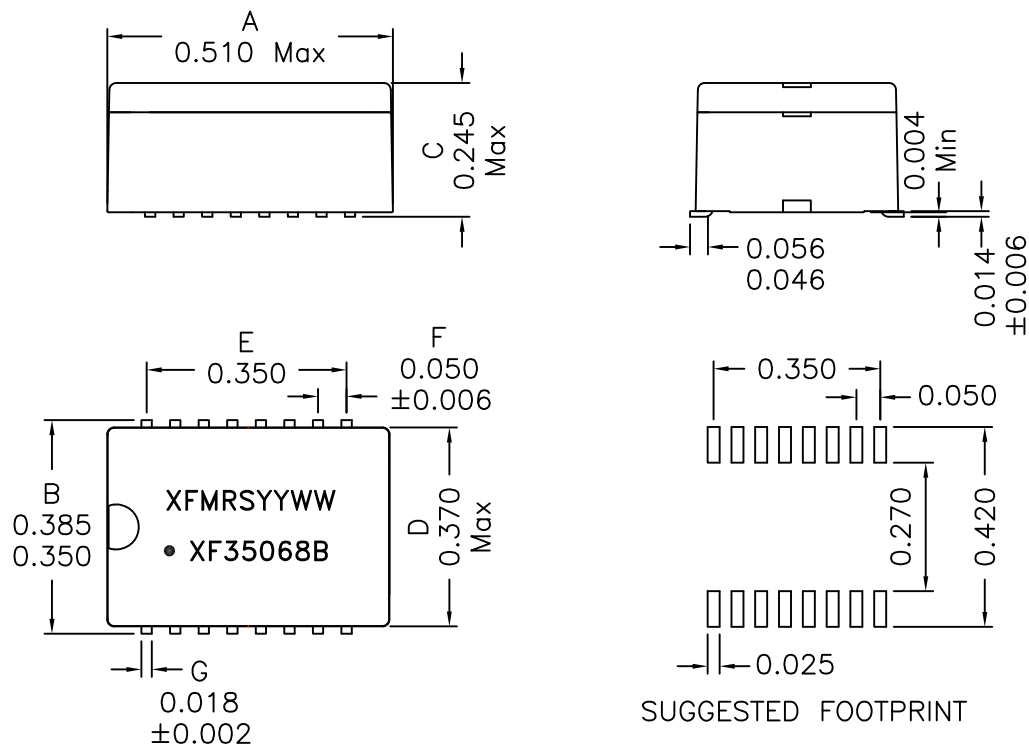
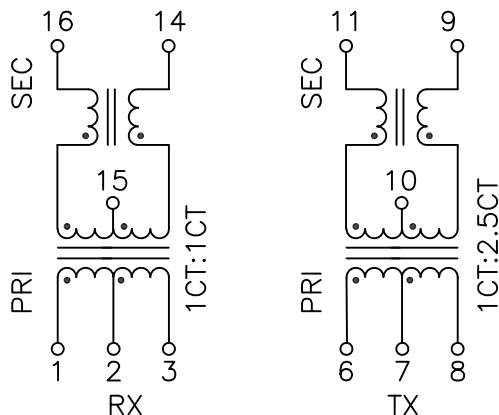


## 1. Mechanical Dimensions:



## 2. Schematic:



DOC REV: B/2

## 3. Electrical Specifications:@25°C

Isolation Voltage: 1500Vac

Turns Ratio: 1CT:2.5CT ±5% (TX)

Turns Ratio: 1CT:1CT ±5% (RX)

OCL: Pins 1-3 350uH Min. @100KHz 100mV

OCL: Pins 6-8 35uH Min. @100KHz 100mV

OCL: Pins 1-3 200uH Min. @100KHz 100mV at -40C

OCL: Pins 6-8 20uH Min. @100KHz 100mV at -40C

Cw/w: 30pF Max @ 100KHz 100mV (Pri/Sec)

LL: Pins 1-3 0.8uH Max @100KHz 100mV, Short Pins 16-14

LL: Pins 6-8 0.8uH Max @100KHz 100mV, Short Pins 11-9

DC Res.: Pins 1-3 0.500 Ohms Max

DC Res.: Pins 6-8 0.300 Ohms Max

DC Res.: Pins 11-9 1.00 Ohms Max

DC Res.: Pins 16-14 1.00 Ohms Max

Q : 5 Min

### Notes:

- Solderability: Leads shall meet MIL-STD-202G, Method 208H for solderability.
- Flammability: UL94V-0
- ASTM oxygen index: > 28%
- Insulation System: Class F 155°C. UL file E151556
- Operating Temperature Range: All listed parameters are to be within tolerance from -40°C to +85°C
- Storage Temperature Range: -55°C to +125°C
- Aqueous wash compatible
- SMD Lead Coplanarity: ±0.004"(0.102mm)
- Electrical and mechanical specifications 100% tested
- RoHS Compliant Component

<b>XFMR Inc</b> www.XFMR.com		Title: 10 BASE T ISOLATION MAGNETICS	
UNLESS OTHERWISE SPECIFIED TOLERANCES: .xxx ±0.010 Dimensions in Inch	P/N: XF35068B		REV. B
	DWN.	Xian Yi	Dec-22-14
SHEET 1 OF 1	CHK.	YK Liao	Dec-22-14
	APP.	DDC	Dec-22-14

**PROPRIETARY**

Document is the property of XFMR Group & is not allowed to be duplicated without authorization.