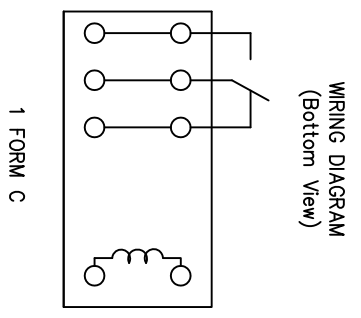
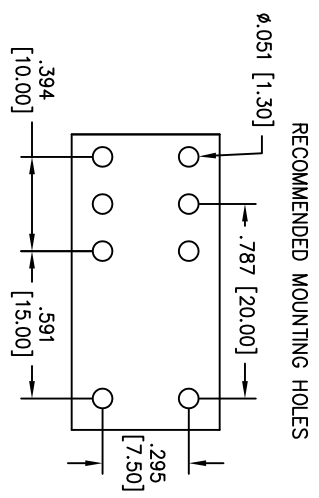
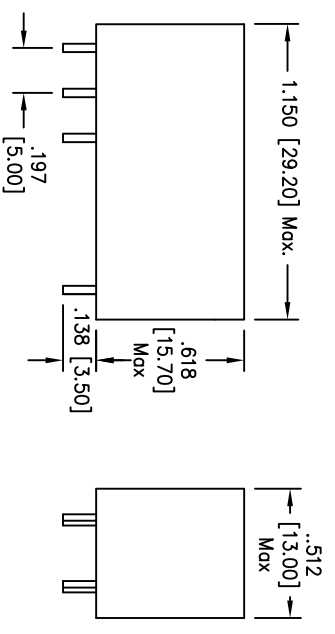


Rev	AWO #	Description	Date	Appr
-		RELEASED	5/07/10	

APPROVED: _____ TITLE: _____
 DATE: _____



PART NO.	RPC-1C-12-S
Rated Voltage (V DC)	12VDC
Power consumption (W)	0.41W
Maximum voltage	150 Max.
Must Drop-out Voltage	10 Min.
Must Operate Voltage	70 Max.
Coil Resistance	360Ω

SPECIFICATIONS:

Electrical:

Contact arrangement: SPDT (1FormC)
 Contact material: Silver Alloy
 Contact Rating (Resistive load): 16A 250VAC
 Switching Voltage: 440V AC Max.
 Contact resistance: 100 mΩ max. @ 1A 6VDC
 Insulation resistance: 1000 MΩ min. @ 500V DC
 Dielectric Strength:
 Between open contact: 1000VAC (50Hz/min)
 Between Coil & Contact: 5000VAC (50Hz/min)
 Operating time: 15ms max. Release time: 8ms max.
 Electrical Life: 100,000

Mechanical:

Vibration resistance (Endurance): 10g/5g, 10-150Hz
 Mechanical Life: 10,000,000
 Temperature Rating: Ambient temperature: -40°C to +85°C

Environmental:

Lead free, RoHS compliant
 Recommended soldering temp: 235°C for 5 sec.
 Packaging: Anti-ESD plastic trays
 Safety Agency Approvals: cUL Recognized File No. E305638



UNLESS OTHERWISE SPECIFIED
 ALL DIMENSIONS ARE INCHES [MM]
 TOLERANCES: EXCEPT AS NOTED
 INCHES HOLES
 .X ± .10 QXX ± .10
 .XX ± .020 QXXX ± .015
 .XXX ± .015 QXXXX ± .010

ADAM TECH
 909 Rahway Avenue, Union, NJ 07083
 Phone: 908-687-5000 Fax: 908-687-5710

RELAY, 12VDC, 1C, SEALED, 5MM PITCH

APPROVALS	DATE
DRAWN DY	5/07/10
CHECKED	
APPROVED	

SIZE	PART NO.	REV.
X	RPC-1C-12-S	-

REF: S0027C SCALE: NTS SHEET 1 OF 1