

Fuse link type CMF

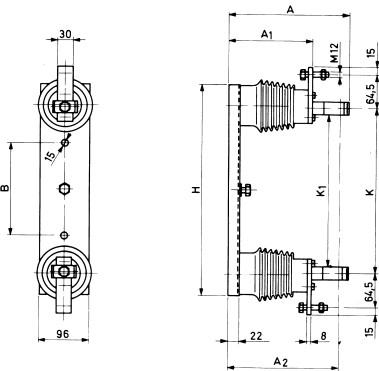
4. Ordering table type CMF

High voltage – fuse links



Type	Rated voltage kV	Rated current A	e	Old No.	New No.	Weight kg
CMF	3,6	100	292	NHPL052760R1	1YMB531028M0001	2.3
CMF	3,6	160	292	NHPL052761R1	1YMB531028M0002	2.3
CMF	3,6	200	292	NHPL052762R1	1YMB531028M0003	2.3
CMF	3,6	250	292	NHPL052763R1	1YMB531028M0004	3.8
CMF	3,6	315	292	NHPL052764R1	1YMB531028M0005	3.8
CMF	7,2	63	442	NHPL052770R1	1YMB531029M0001	3.0
CMF	7,2	100	442	NHPL052771R1	1YMB531029M0002	3.0
CMF	7,2	160	442	NHPL052772R1	1YMB531029M0003	3.0
CMF	7,2	200	442	NHPL052773R1	1YMB531029M0004	5.3
CMF	7,2	250	442	NHPL052774R1	1YMB531029M0005	5.3
CMF	7,2	315	442	NHPL052775R1	1YMB531029M0006	5.3
CMF	12	63	442	NHPL052776R1	1YMB531030M0001	3.0
CMF	12	100	442	NHPL052777R1	1YMB531030M0002	5.3
CMF	12	160	442	NHPL052778R1	1YMB531030M0003	5.3
CMF	12	200	442	NHPL052779R1	1YMB531030M0004	5.3

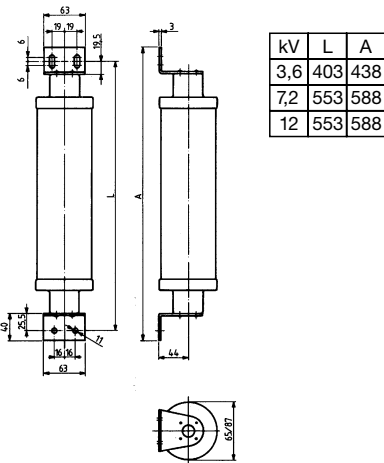
FUSE BASE TYPE UCM



5. Ordering table UCM

Type	Rated voltage kV	Dimensions in mm							Weight kg	Old No.	New No.
		A	A ₁	A ₂	H	K	K ₁	B			
UCM	3,6	232	160	220	410	318	293	180	3,7	NHP139037R1	1YMX139037R001
UCM	7,2/12	232	160	220	570	468	443	300	4,2	NHP139037R2	1YMX139037R002

Dimension CMF-BS



6. Ordering table type CMF-BS

Type	Rated voltage kV	Rated current A	e	Old No.	New No.	Weight kg
CMF-BS	3,6	100	292	NHPL241347R1	1YMB531031M0001	2.3
CMF-BS	3,6	160	292	NHPL241347R2	1YMB531031M0002	2.3
CMF-BS	3,6	200	292	NHPL241347R3	1YMB531031M0003	2.3
CMF-BS	3,6	250	292	NHPL241347R4	1YMB531031M0004	3.8
CMF-BS	3,6	315	292	NHPL241347R5	1YMB531031M0005	3.8
CMF-BS	7,2	63	442	NHPL241347R6	1YMB531032M0001	3.0
CMF-BS	7,2	100	442	NHPL241347R7	1YMB531032M0002	3.0
CMF-BS	7,2	160	442	NHPL241347R8	1YMB531032M0003	3.0
CMF-BS	7,2	200	442	NHPL241347R9	1YMB531032M0004	5.3
CMF-BS	7,2	250	442	NHPL241347R10	1YMB531032M0005	5.3
CMF-BS	7,2	315	442	NHPL241347R11	1YMB531032M0006	5.3
CMF-BS	12	63	442	NHPL241347R13	1YMB531033M0001	3.0
CMF-BS	12	100	442	NHPL241347R14	1YMB531033M0002	5.3
CMF-BS	12	160	442	NHPL241347R15	1YMB531033M0003	5.3
CMF-BS	12	200	442	NHPL241347R16	1YMB531033M0004	5.3