

6

5

4

3

2

1

MATERIAL AND FINISH:

Front flange: Glass filled Polyester, black, UL-94V-0 rated

Body: (B11/1) Polyester, black, UL-94-V-0 rated
(B12/1, B13/1) Polystyrene, black, UL-94-HB rated

Cap: Glass filled Nylon, UL-94V-0 rated

Contact: Brass, Nickel plated

End plate: S.R.B.F

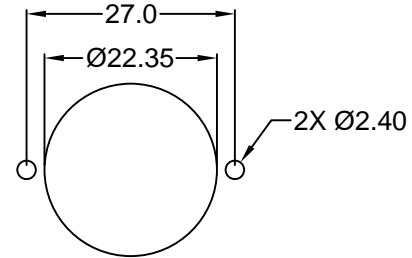
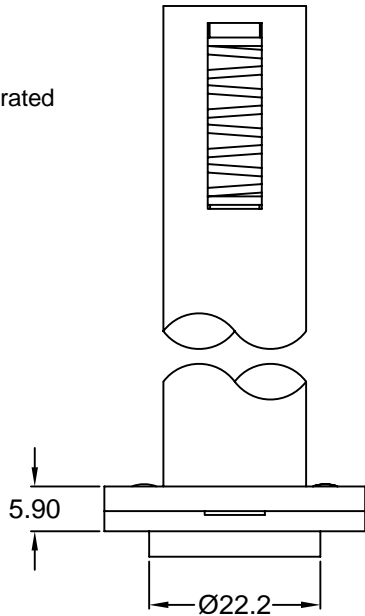
End plate support: Steel, Nickel plated

Spring: Spring Steel

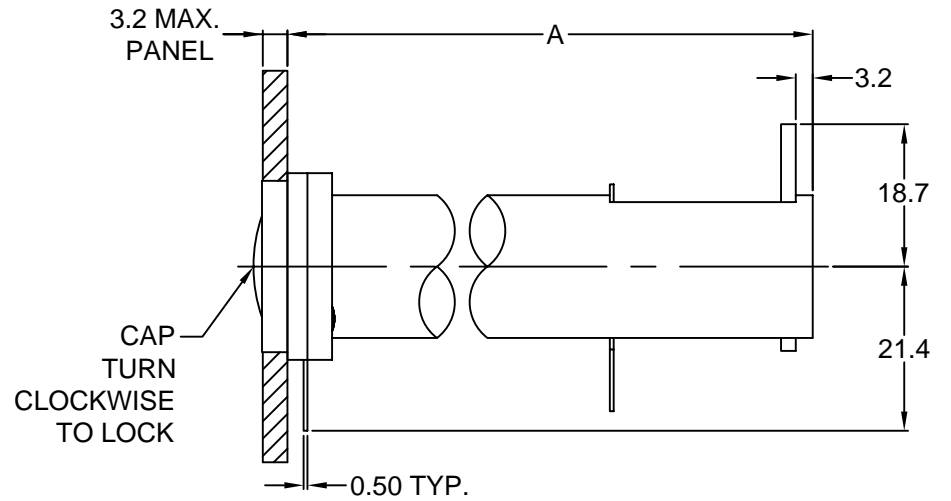
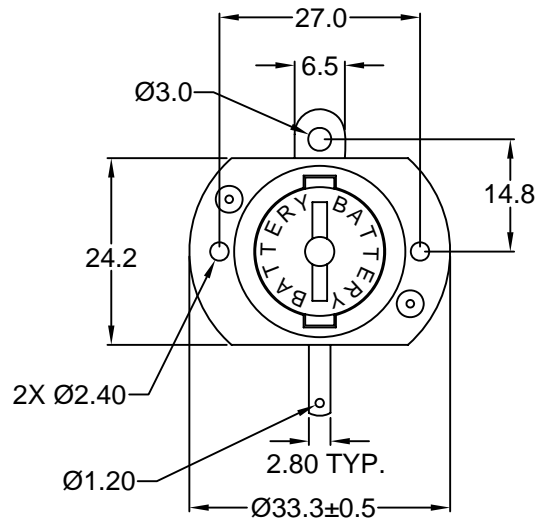
ENVIRONMENTAL:

Operating temperature: -30°C to +70°C

**RoHS
COMPLIANT**



**RECOMMENDED
PANEL CUTOUT**



**CAP
TURN
CLOCKWISE
TO LOCK**

REV	DATE	CHANGE	CHNG CHECK APPR			
			TD	TD	SS	PB
A	10/99	ADD INSIDE ØDIM	TD	JJ	SS	PB
B	11/13/00	UPDATED MATL SPEC.	TD	JJ	SS	PB
C	03/06/02	REVISED / UPDATED	GO	TD	SS	PB

P/N	A
B11/1 (1 CELL)	68.2
B12/1 (2 CELLS)	118.6
B13/1 (3 CELLS)	169.5

TOLERANCE UNLESS OTHERWISE SPECIFIED	
X	± 1
X.X	± 0.4
X.XX	± 0.20

DRAWN BY	TD	DATE:	08/23/99
CHECK BY	JJ	DATE:	10/18/99
APPR BY	SS	DATE:	10/18/99

Power Dynamics, Inc.
 Phone: 973 560-0019 Whippany, New Jersey Fax: 973 560-0076

**PART: AA (R6) BATTERY HOLDER,
 PANEL MOUNT**

B1X/1

PART #: B1X/1

SIZE: A

SCALE: NTS

ALL DIMENSIONS FOR REFERENCE ONLY
 DIMENSIONS ARE IN MILLIMETERS

SHEET 1 of 1

REV: C