

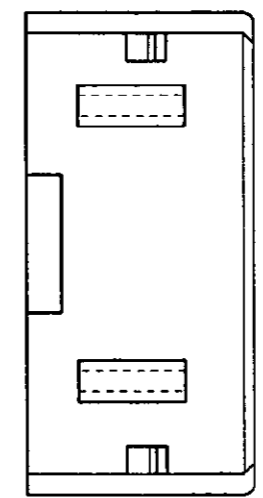
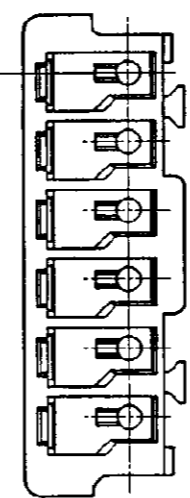
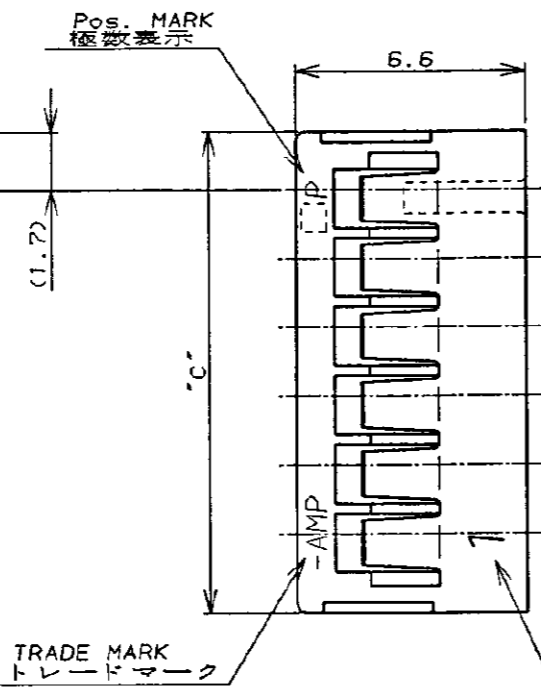
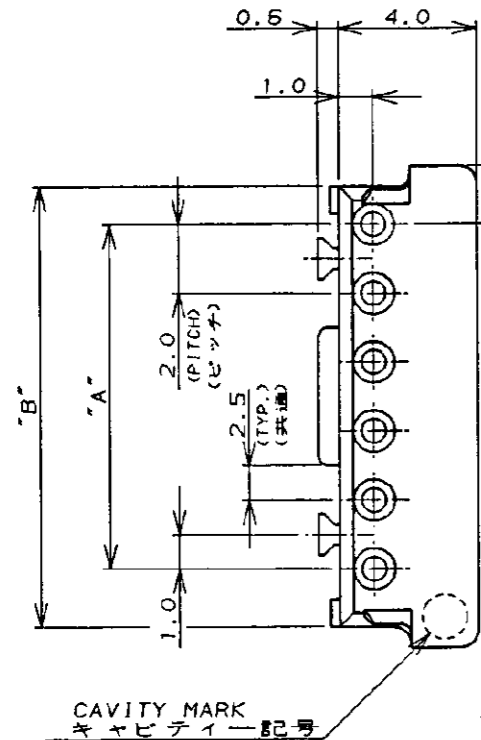
NUMBER C-179228

3rd ANGLE PROJECTION

METRIC

DIMENSIONS IN MILLIMETERS. DO NOT SCALE PRINT

PRINT DIST



- 注 ;
- 1. 材料 : 66ナイロン (UL94V-0)
 - 2. 適用製品規格 : 108-5408
 - 3. 取付適用規格 : 114-5179

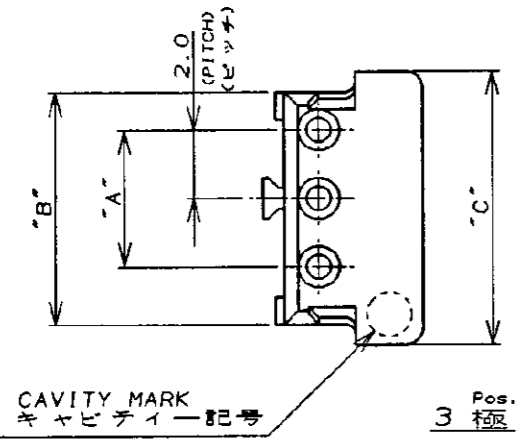
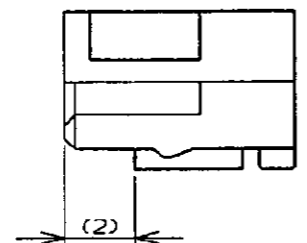
- NOTES ;
- 1. MATERIAL : 66 NYLON (UL94V-0)
 - 2. PRODUCT SPEC. : 108-5408
 - 3. APPLICATION SPEC. : 114-5179

CAVITY MARK
キャビティ記号

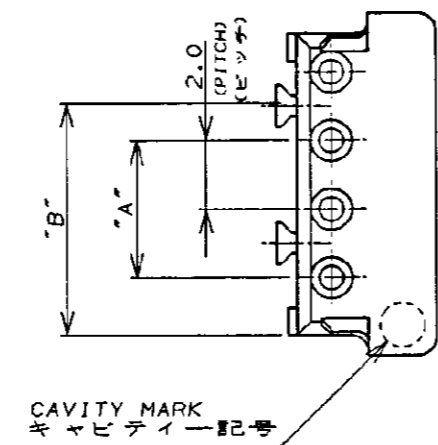
TRADE MARK
トレドマーク

CIRCUIT NO.1
回路番号1側

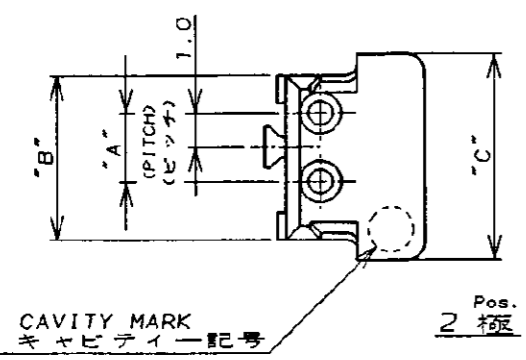
5-15 Pos.
極



3 Pos.
極



4 Pos.
極



2 Pos.
極

7-179228-5	5-179228-5	3-179228-5	1-179228-5	15	28.0	30.8	32.0
7- ↑ -4	5- ↑ -4	3- ↑ -4	1- ↑ -4	14	26.0	28.8	30.0
7- -3	5- -3	3- -3	1- -3	13	24.0	26.8	28.0
7- -2	5- -2	3- -2	1- -2	12	22.0	24.8	26.0
7- -1	5- -1	3- -1	1- -1	11	20.0	22.8	24.0
7- -0	5- -0	3- -0	1- -0	10	18.0	20.8	22.0
6- -9	4- -9	2- -9	-9	9	16.0	18.8	20.0
6- -8	4- -8	2- -8	-8	8	14.0	16.8	18.0
6- -7	4- -7	2- -7	-7	7	12.0	14.8	16.0
6- -6	4- -6	2- -6	-6	6	10.0	12.8	14.0
6- -5	4- -5	2- -5	-5	5	8.0	10.8	12.0
6- -4	4- -4	2- -4	-4	4	6.0	8.8	10.0
6- -3	4- -3	2- -3	-3	3	4.0	6.8	8.0
6-179228-2	4-179228-2	2-179228-2	179228-2	2	2.0	4.8	6.0
BLACK 黒色	YELLOW 黄色	BLUE 青色	NATURAL 自然色	Pos. 極数	A	B	C

Copyright ©19 年		Copyright ©19 年		AMP AMP (JAPAN), LTD. Tokyo, Japan	
AMP (Japan), LTD. ALL RIGHTS RESERVED.		AMP (Japan), LTD. ALL RIGHTS RESERVED.			
WIRE RANGE mm ² (AWG -)		INSULATION DIA mmφ		NAME 圧着タイプIIリセハウジング CRIMP TYPE II RECEPTACLE HOUSING (AMP CT CONNECTOR 2mm PITCH)	
MATERIAL NOTE ⚠		FINISH ---		GENERAL TOLERANCE	
A1 REVISED FJ00-1213-94 T.F.S.K. 3/4 '94		DR. 11/12 '93 DE. 11/12 '93		SIZE LOC NUMBER	
A REVISED FJ00-0073-94 T.F.S.K. 3/4 '93		DR. 11/15 '93 DE. T.FURUYA		B J C-179228	
O RELEASED FJ00-0861-93 T.F.S.K. 11/16 '93		CHK. S.KUBOUCHI APP. S.KUBOUCHI		SCALE REV. SHEET	
LTR . REVISION RECORD		DR CHK DATE		5-1 A1 1 OF 1	