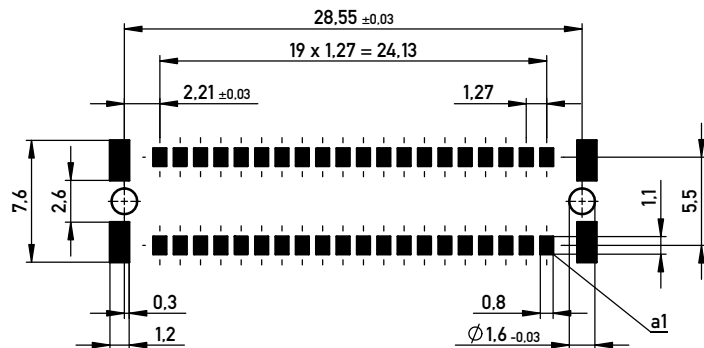
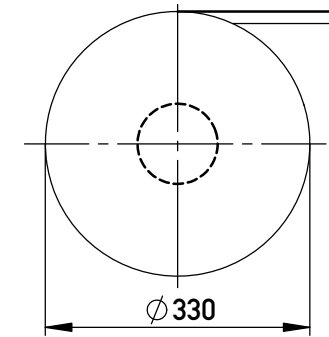


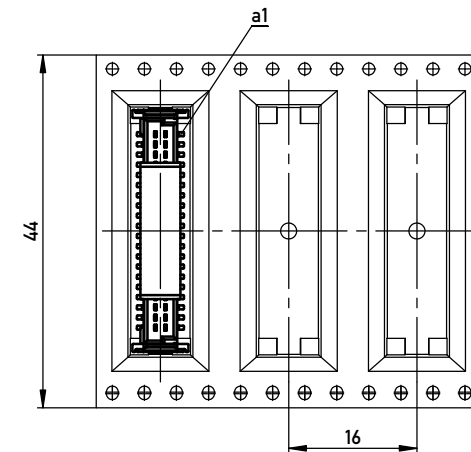
Leiterplatten-Layout Vorschlag für SMT
PCB-Layout Proposal for SMT



Verpackt in Gurtverpackung
Tape on Reel Packaging
Verpackungseinheit: 280 Stück
Packaging unit: 280 pcs



Abspulrichtung - Reel off Direction



BA 8-13 - 8mm Bauhöhe
type 8-13 - Low Profile

Information:		Tolerances	Scale 3:1	Designation	
All rights reserved. Only for Information. To ensure that this is the latest version of this drawing, please contact one of the ERNI companies before using.		 All Dimensions in mm		Messertl. SMC-Q 40-SMD-BA8-13 Male SMC-Q 40-SMD-type8-13	
Subject to modification without prior notice. Drawing will not be updated.		 www.ERNI.com	254590		I A3
d	24.07.2013	Class		SMCQ	
Index	Date				

Copyright by ERNI GmbH
Proprietary notice pursuant to ISO 9006 to be observed.