

**PLEASE CHECK WWW.MOLEX.COM FOR LATEST PART INFORMATION**

**Part Number:** [0197234402](#)  
**Status:** **Active**  
**Description:** VibraKrimp™ Open Barrel Strip Snap Plug Receptacle, With Strain Relief And Dimple

**Documents:**

[Drawing \(PDF\)](#) [RoHS Certificate of Compliance \(PDF\)](#)

**General**

Product Family	Quick Disconnects
Series	<a href="#">19723</a>
Comments	Open Barrel
Crimp Quality Equipment	Yes
Product Name	VibraKrimp™
Type	Snap Plug

**Physical**

Barrel Type	Open
Gender	Female
Glow-Wire Compliant	No
Insulation	None
Lock to Mating Part	None
Material - Metal	Brass
Material - Plating Mating	Tin
Material - Plating Termination	Tin
Orientation	Straight
Packaging Type	Reel
Plating min: Mating (µin)	100
Plating min: Mating (µm)	2.5
Plating min: Termination (µin)	100
Plating min: Termination (µm)	2.5
Tab Thickness	N/A
Tab Width	N/A
Wire Insulation Diameter	N/A
Wire Size AWG	14, 16, 18

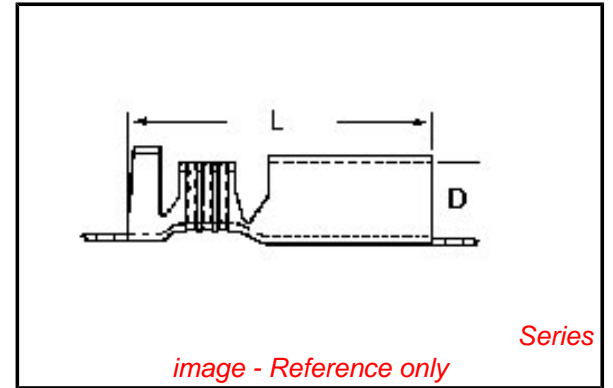
**Electrical**

Voltage - Maximum	N/A
-------------------	-----

**Material Info**

**Reference - Drawing Numbers**

Sales Drawing	SD-19723-440
---------------	--------------



**EU RoHS**

**ELV and RoHS Compliant**  
**REACH SVHC Contains SVHC: No**  
**Halogen-Free Status**  
**Not Reviewed**

**China RoHS**



**Need more information on product environmental compliance?**

Email [productcompliance@molex.com](mailto:productcompliance@molex.com)  
 For a multiple part number RoHS Certificate of Compliance, [click here](#)

Please visit the [Contact Us](#) section for any non-product compliance questions.

**Search Parts in this Series**

[19723Series](#)

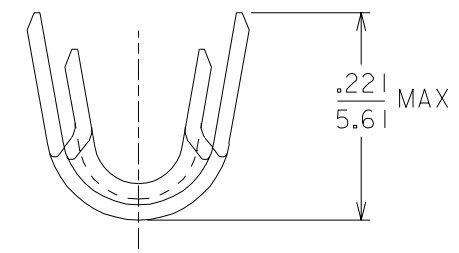
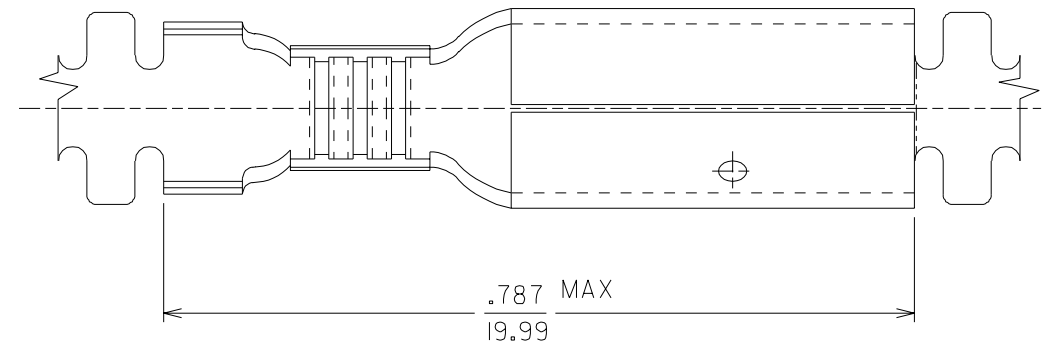
**Application Tooling | [FAQ](#)**

*Tooling specifications and manuals are found by selecting the products below. Crimp Height Specifications are then contained in the Application Tooling Specification document.*

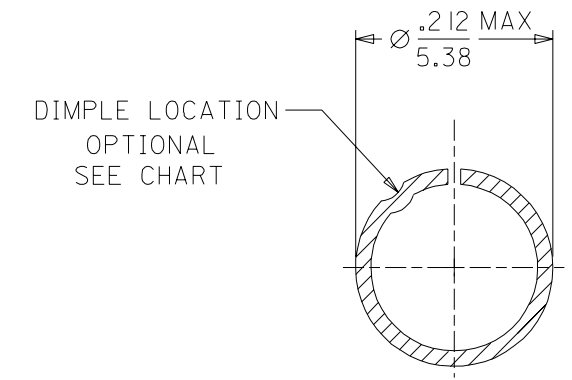
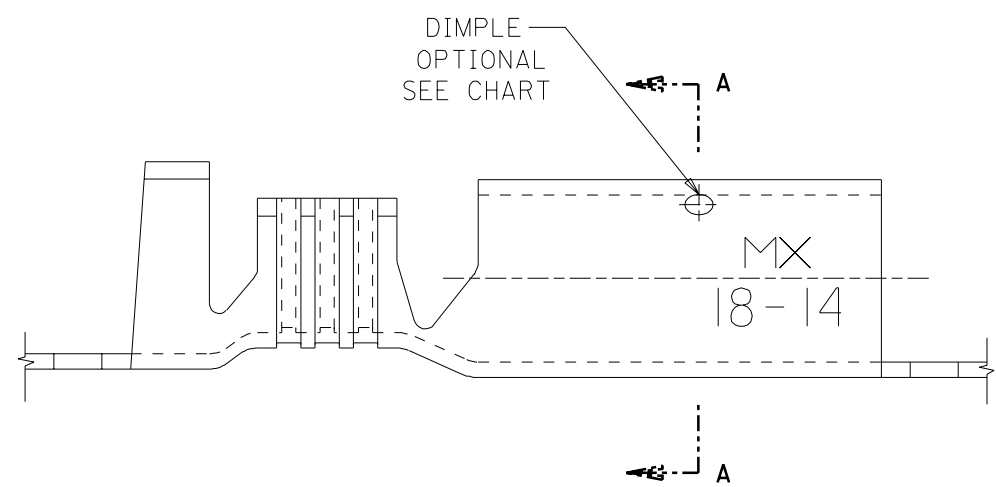
**Global**

Description	Product #
Rear Feed Mini-Mac Applicator for VibraKrimp™ Snap Male Plug Terminals, 14-18 AWG	<a href="#">0638026800</a>

MATERIAL NO.	ENG NUMBER	DESCRIPTION	FINISH
197234400	19723-4400	CONTINUOUS STRIP WITH DIMPLE	UNPLATED
197234401	19723-4401	CONTINUOUS STRIP WITHOUT DIMPLE	
197234402	19723-4402	CONTINUOUS STRIP WITH DIMPLE	ELECTRO-TIN
197234403	19723-4403	CONTINUOUS STRIP WITHOUT DIMPLE	



BACKGROUND OMITTED FOR CLARITY



SECTION A-A  
BACKGROUND OMITTED FOR CLARITY

SALES DRAWING

- NOTES:
- MATERIAL: BRASS
  - FINISH: SEE CHART
  - PACKING QTY. 6000 PER REEL.

NEW RELEASE EC NO. ETC2002-0318 DRWN:HEB 02/08/09 CHK:RWD 02/08/09 APPR:RWD 02/08/09	QUALITY SYMBOLS	GENERAL TOLERANCES: (UNLESS SPECIFIED)		SCALE 5:1	DESIGN UNITS <input type="checkbox"/> mm <input checked="" type="checkbox"/> INCH	DIMENSIONS: <input type="checkbox"/> mm <input checked="" type="checkbox"/> INCH <input type="checkbox"/> mm ONLY	SHT	REV
	MAJOR ▼=0	mm	INCH	DRAWN BY & DATE BRE 02/06/28	TITLE: SNAP PLUG RECEPTACLE .180 DIA. VIBRAKRIMP 18-14 AWG CHAIN STAMPED			
	CRITICAL △=0	4 PLACES ±0.	±.	CHECKED BY & DATE HEB 02/06/28				
	DESCRIPTION	2 PLACES ±0.	±.	APPROVED BY & DATE RWD 02/06/28	MOLEX INCORPORATED MATERIAL NO. SEE TABLE DRAWING NO. SD-19723-440 SHEET NO. 1 OF 1			
REV	1 PLACE ±0.	±.	CAD FILENAME SD-19723-440 .DGN					
A	ANGULAR: ± °			THIS DRAWING CONTAINS INFORMATION THAT IS PROPRIETARY TO MOLEX INCORPORATED AND SHOULD NOT BE USED WITHOUT WRITTEN PERMISSION.				SIZE B
DRAFT WHERE APPLICABLE MUST REMAIN WITHIN DIMENSIONS								