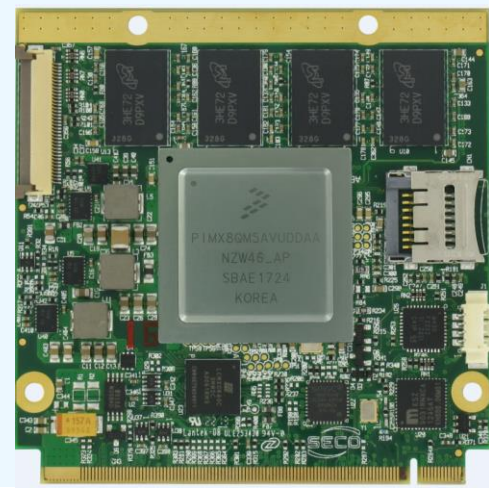
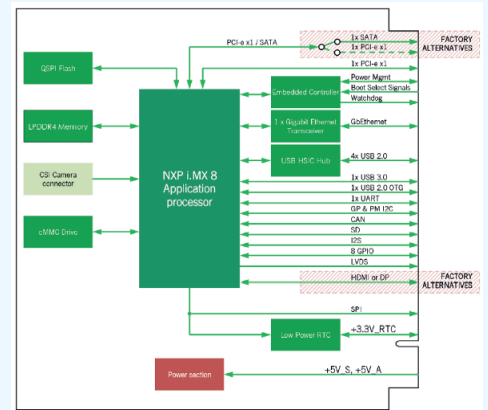


**Product Name: Q7-C26**



<b>Highlights</b>	<ul style="list-style-type: none"> <li>• Advanced multimedia</li> <li>• Rich m2m interface to control onboard subsystems</li> <li>• Wide connectivity</li> </ul>
<b>Part Number</b>	Q7-C26
<b>Main Fields of Application</b>	<ul style="list-style-type: none"> <li>• Biomedical/Medical devices</li> <li>• Digital Singnage - Infotainment</li> <li>• Vending</li> <li>• Industrial Automation and Control</li> <li>• Smart Vision</li> </ul>
<b>Processor</b>	<p>NXP i.MX8 Family:</p> <ul style="list-style-type: none"> <li>• i.MX 8QuadMax - 2x Cortex®-A72 cores + 4x Cortex®-A53 cores + 2x Cortex®-M4F cores</li> </ul>
<b>Max Cores</b>	4
<b>Memory</b>	Soldered Down LPDDR4-3200 memory, 64-bit interface
<b>Graphics</b>	<p>Integrated Graphics Processing Unit, supports 2 independent displays.</p> <p>Embedded VPU, supports HW decoding of HEVC/H.265, AVC/H.264, MPEG-2, VC-1, RV9, VP8, H.263 and MPEG4 part, HW encoding of AVC/H.264</p> <p>Supports OpenGL ES 3.1, Open CL 1.2, OpenGL 3.x, DirectX 11</p>
<b>Video Interface</b>	<p>HDMI 2.0a or DP 1.3 interface, supporting HDCP 2.2</p> <p>Dual Channel or 2 x Single Channel 18- / 24-bit LVDS interface</p>
<b>Video Resolution</b>	<p>HDMI: Up to 4Kp60</p> <p>LVDS: Up to 1080p</p>



<b>Mass Storage</b>	1x SATA Gen3 interface (alternative to 1x PCI-e x1 port) eMMC 5.1 drive soldered on-board SD 4-bit interface
<b>Networking</b>	1 x Gigabit Ethernet interface
<b>USB</b>	4 x USB 2.0 Host Ports 1 x USB 3.0 Host Port 1 x USB 2.0 OTG port
<b>PCI-e</b>	Up to 2x PCI-e x1 Gen3 ports
<b>Audio</b>	I2S Audio Interface
<b>Serial Ports</b>	1x UART Tx/Rx/RTS/CTS 1x CAN Bus (TTL level)
<b>Power Supply</b>	+5VDC •} 5%
<b>Operating System</b>	Linux Android
<b>Operating Temperature</b>	0°C - +60°C (Commercial version) -40°C - +85°C (Industrial version)
<b>Dimensions</b>	70 x 70 mm (2.76" x 2.76")