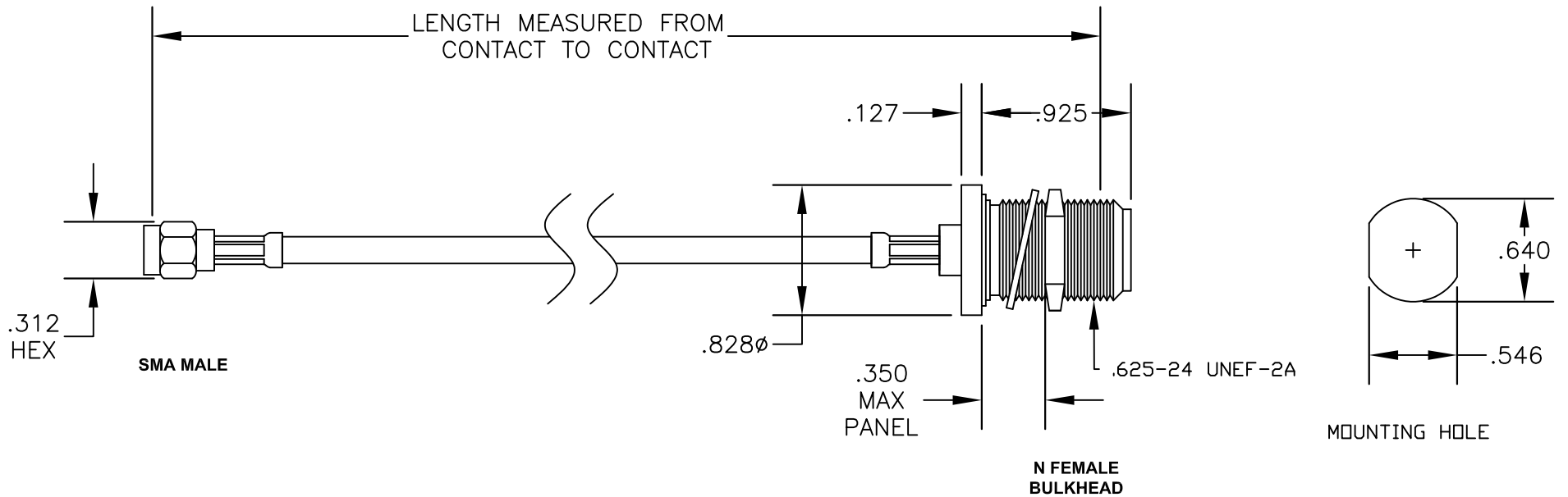


| COMPONENTS        | IMPEDANCE |
|-------------------|-----------|
| SMA MALE          | 50 OHM    |
| N FEMALE BULKHEAD | 50 OHM    |
| RG58C/U           | 50 OHM    |
|                   |           |

| Standard Lengths |                         |
|------------------|-------------------------|
| -12              | 12"                     |
| -24              | 24"                     |
| -36              | 36"                     |
| -48              | 48"                     |
| -60              | 60"                     |
| -XXX             | Custom Length in inches |
|                  |                         |



PASTERNAK ENTERPRISES, INC.

P.O BOX 16759, IRVINE, CA 92623  
PHONE (949) 261-1920 FAX (949) 261-7451

WEB ADDRESS: [www.pasternack.com](http://www.pasternack.com)  
E-MAIL ADDRESS: [sales@pasternack.com](mailto:sales@pasternack.com)

COAXIAL & FIBER OPTICS

DWG TITLE

**PE3013LF-XX**

DES.

CABLE ASSEMBLY, RG58C/U, SMA MALE TO N FEMALE BULKHEAD (LEAD FREE)

SIZE A

FSCM NO. 53919

CAD FILE 022908

SCALE N/A

127

NOTES:

1. UNLESS OTHERWISE SPECIFIED ALL DIMENSIONS ARE NOMINAL.
2. ALL SPECIFICATIONS ARE SUBJECT TO CHANGE WITHOUT NOTICE AT ANY TIME.
3. DIMENSIONS ARE IN INCHES.
4. LENGTH TOLERANCE IS  $\pm 1.5\%$  OR  $\pm 3/8"$ , WHICHEVER IS GREATER.



**RoHS**  
2002/95/EC  
RoHS  
Compliance  
Certified