

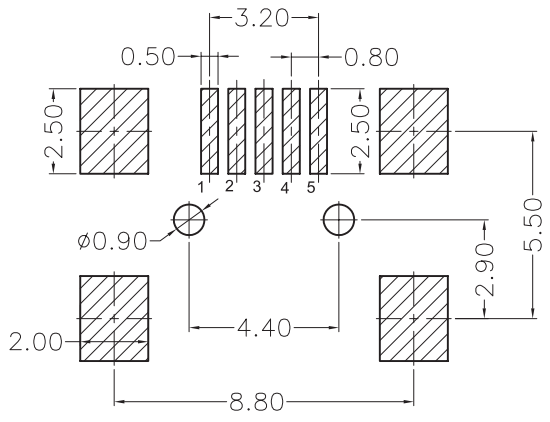
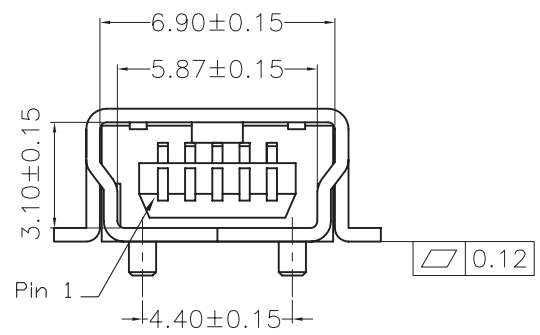
1

2

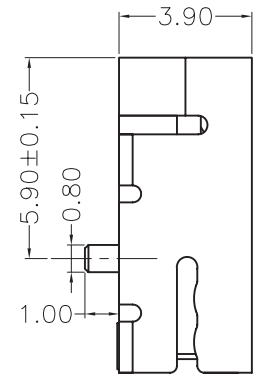
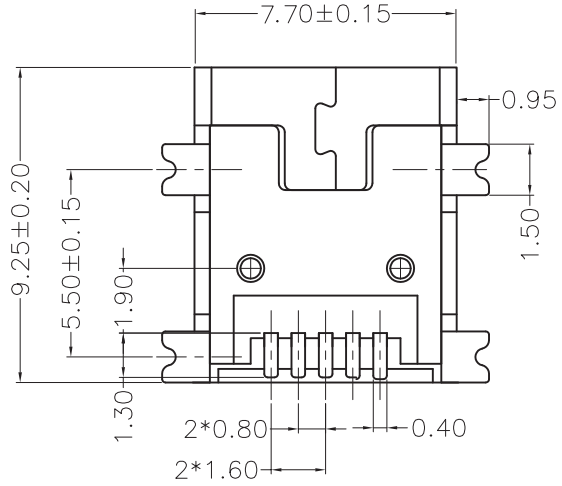
3

4

5



PCB LAYOUT - COMPONENT VIEW



TECHNICAL CHARACTERISTICS

MATERIAL
 INSULATOR: LCP
 FLAMABILITY RATING: UL94-V0
 COLOR: BLACK
 CONTACT MATERIAL: COPPER ALLOY
 CONTACT TYPE: STAMPED
 CONTACT PLATING: SELECTIVE GOLD
 SHIELDING: BRASS NI PLATED
 QUALITY CLASS: 1500 MATING CYCLES

ENVIRONMENTAL
 OPERATING TEMPERATURE: -40 UP TO 105°C
 COMPLIANCE: LEAD FREE AND ROHS

ELECTRICAL
 CURRENT RATING: 1A Max
 WORKING VOLTAGE: 30V
 INSULATOR RESISTANCE: >1000 MOHM
 DIELECTRIC WITHSTANDING VOLTAGE: 750V AC/MN
 CONTACT RESISTANCE: 20 mOHM MAX

STANDARD
 CERTIFIED: E323964 / MODEL NUMBER 651 005 161 21

SOLDERING
 REFLOW PROCESS ONLY


PACKAGING
 TAPE & REEL WITH MYLAR

RoHS Compliant	
G	08-NOV-11
F	22-JUN-11
E	29-APR-11
D	06-APR-11
C	15-FEB-10
B	09-DEC-09
H	18-FEB-13
REV	DATE

CURRENT RATING	GG
CURRENT RATING	GG
PACKAGING	GG
DIMENSION	GG
PACKAGING T & R	JP
STANDARD	JP
DESIGNATION	AR
FILE	BY

PROJECTION:
APPROVAL: RJ

GENERAL TOLERANCE
.X = +/- 0.2
.XX = +/- 0.15
UNIT: MM
SCALE:
SHEET: 1/2
DRAW: PEARL



DESCRIPTION: MINI USB 2.0 SMT TYPE B 5 CONTACTS

WERI PART NO: 651 005 161 21

SIZE
A4

A

B

C

D

