

PLEASE CHECK WWW.MOLEX.COM FOR LATEST PART INFORMATION

Part Number: [0494481411](#)
Status: **Active**
Description: 1.10mm (.043")/1.27mm (.050") Pitch microSD/SIM Card Combo Connector, 8-Pin microSD, Reverse Mount with Detect Switch, and 6-Pin SIM, Normal Mount

Documents:

[Drawing \(PDF\)](#) [RoHS Certificate of Compliance \(PDF\)](#)
[Product Specification PS-49448-002 \(PDF\)](#)

General

Product Family	Memory Card Sockets
Series	49448
Button Type	Push-Pull, Push-Push
Comments	microSD Card 8 Circuits, SIM Card 6 Circuits, Switch 2 Circuits
Component Type	Card Holder (Host)
Product Name	Combo, microSD Card, SIM
Type	N/A

Physical

Card Detection Switch	Open
Circuits (Loaded)	16
Durability (mating cycles max)	10,000
Ejector Button Side	No Ejector Button Present
Entry Angle	Horizontal
Keying to Mating Part	Yes
Material - Metal	Copper, Phosphor Bronze, Stainless Steel
Material - Plating Mating	Gold
Material - Plating Termination	Gold
PC Tail Length (in)	0.039 In, 0.043 In
PC Tail Length (mm)	1.00 mm, 1.10 mm
PCB Locator	No
PCB Mounting Side	Normal
PCB Retention	None
Packaging Type	Embossed Tape on Reel
Pitch - Mating Interface (in)	0.043 In, 0.050 In
Pitch - Mating Interface (mm)	1.10 mm, 1.27 mm
Ports	2
Temperature Range - Operating	-25°C to +85°C

Electrical

Current - Maximum per Contact	0.5A
Shielded	Yes
Voltage - Maximum	5V

Material Info

Reference - Drawing Numbers

Packaging Specification	PK-49448-001
Product Specification	PS-49448-002, RPS-49448-002
Sales Drawing	SD-49448-004

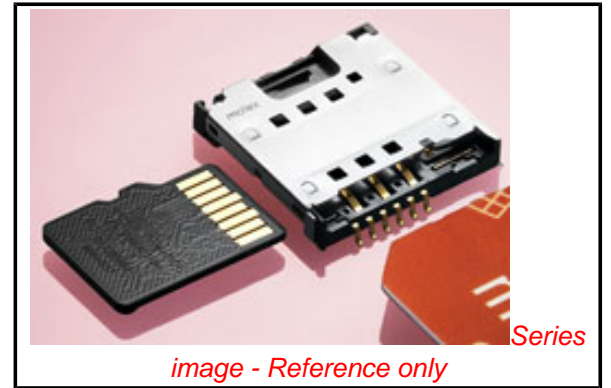


image - Reference only

EU RoHS

**ELV and RoHS
Compliant**
REACH SVHC
 Not Reviewed
**Halogen-Free
Status**
 Not Reviewed

China RoHS



**Need more information on product
environmental compliance?**

Email productcompliance@molex.com
 For a multiple part number RoHS Certificate of Compliance, [click here](#)

Please visit the [Contact Us](#) section for any non-product compliance questions.

Search Parts in this Series

[49448Series](#)

Mates With

microSD Card, SIM Card

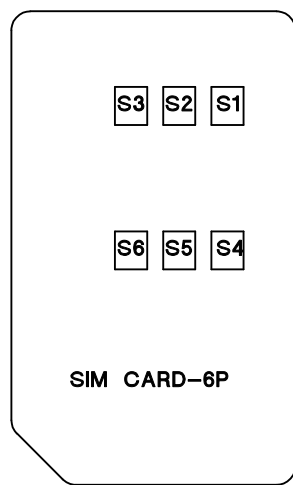
* TABLE 2 : PARTS-LIST

NO.	DESCRIPTION	ENGINEERING NO.	MATERIALS	FINISHES
1	mSD-CONTACT TERMINAL	49932-8031	PHOS.-BRONZE	Min. 0.2/0.05uM Au over Min. 1.27uM Ni Overall
2	S-CONTACT TERMINAL	49814-8031	BECU-7ALLOY	Min. 0.2/0.05uM Au over Min. 1.27uM Ni Overall
3	mSD-METAL SHELL	49933-5003	STAINLESS STEEL	Min. 0.7uM Ni Overall
4	S-METAL SHELL	49934-5003	STAINLESS STEEL	Min. 0.7uM Ni Overall
5	HOUSING	49448-1491	LIQUID CRYSTAL POLYMER	UL94V-0
6	HEART CAM	49363-0001	LIQUID CRYSTAL POLYMER	UL94V-0
7	SWITCH TERMINAL 1	49820-8031	PHOS.-BRONZE	Min. 0.1/0.05uM Au over Min. 1.27uM Ni Overall
8	SWITCH TERMINAL 2	49821-8031	PHOS.-BRONZE	Min. 0.1/0.05uM Au over Min. 1.27uM Ni Overall
9	FITTING NAIL	49819-8003	PHOS.-BRONZE	Min. 3.0uM Pure-Sn over Min. 1.27uM Ni Overall
10	PIN ROD	49225-9002	STAINLESS STEEL	
11	SPRING	49362-9001	STAINLESS STEEL	

* TABLE 3 : REFERENCE

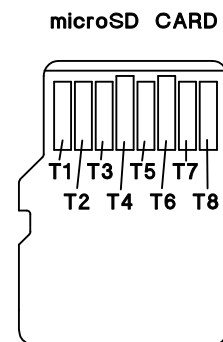
[SIM CARD-6P PIN-MAP]

PIN NUMBER	DESCRIPTION
S1	Vcc(Voltage)
S2	Vcc(Reset)
S3	CLK
S4	GND
S5	Vpp
S6	I/O



[microSD CARD PIN-MAP]

PIN NUMBER	DESCRIPTION
T1	DAT2
T2	CD/DAT3 ²
T3	CMD
T4	V _{DD}
T5	CLK
T6	V _{SS} ²
T7	DAT0
T8	DAT1

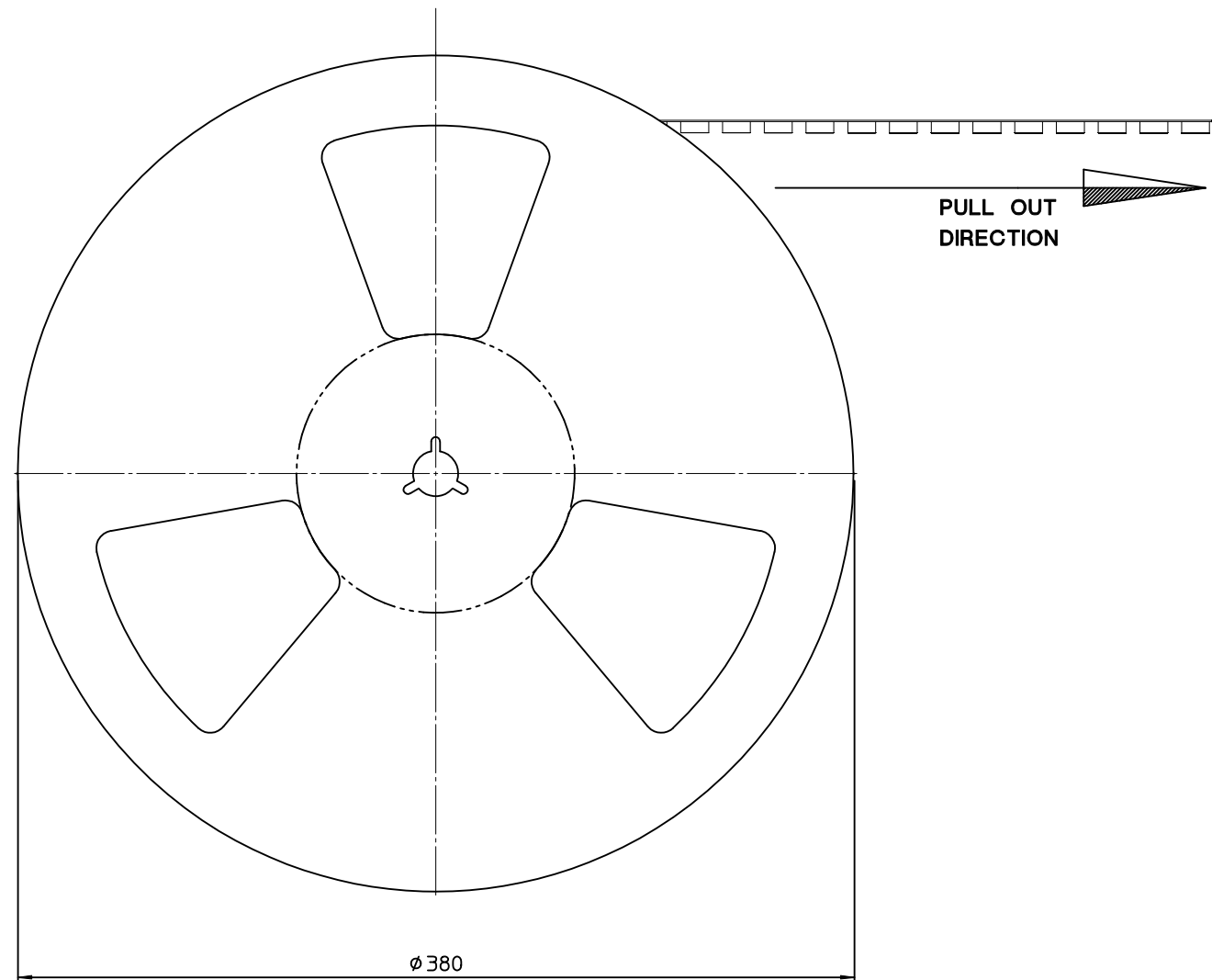


REVISED
 EC NO: KOR2010-0043
 DRWN: SUNGHYUK JOO 2009/12/24
 CHKD: YSOOKIM 2009/12/28
 APPR: YUNS IKKIM 2009/12/29

QUALITY SYMBOLS	GENERAL TOLERANCES (UNLESS SPECIFIED)	
	mm	INCH
▽=0	4 PLACES ± ---	± ---
▽=0	3 PLACES ± ---	± ---
	2 PLACES ± 0.1	± ---
	1 PLACE ± 0.15	± ---
	ANGULAR ± 1 °	

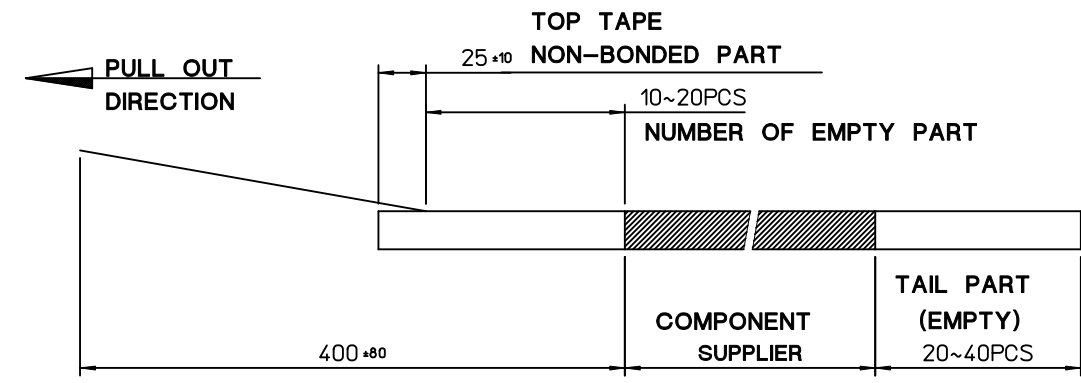
DRAFT WHERE APPLICABLE
MUST REMAIN WITHIN DIMENSIONS

DIMENSION STYLE		SCALE	DESIGN UNITS	THIRD ANGLE PROJECTION
MM ONLY		5:1	METRIC	☉
DRAWN BY	DATE	TITLE		
IHYOU	2009/06/01	M-SD/SIM COMBO SOCKET FOR 8P/6P		
CHECKED BY	DATE	MOLEX INCORPORATED		
SHCHU	2009/06/01	SD-49448-004		
APPROVED BY	DATE	SHEET NO.		
YSOOKIM	2009/06/01	1 OF 3		
MATERIAL NO.	DOCUMENT NO.	THIS DRAWING CONTAINS INFORMATION THAT IS PROPRIETARY TO MOLEX INCORPORATED AND SHOULD NOT BE USED WITHOUT WRITTEN PERMISSION		
SEE TABLE	SD-49448-004			

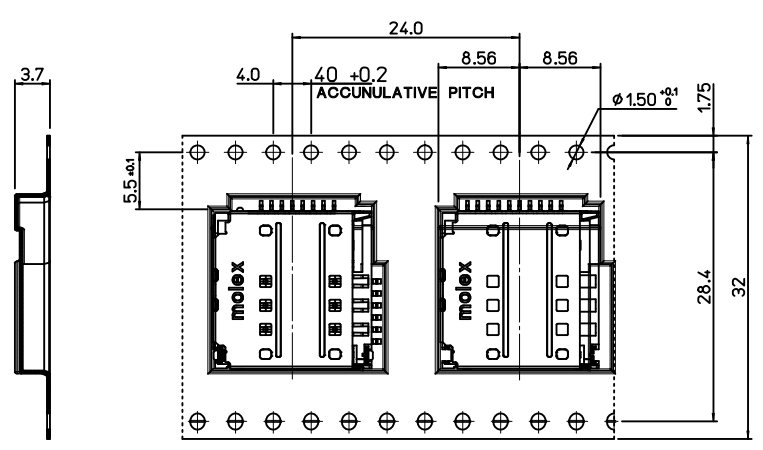
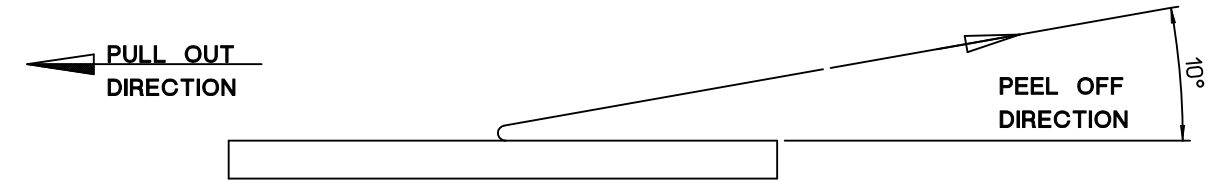


NOTES

1. QUANTITY OF CONNECTORS : 1,000PCS/REEL
2. LEAD LENGTH



3. PEELING OFF FORCE OF COVER TAPE : 0.1N~0.59N(10.2GF~60GF)
(PEELING DIRECTION AS SHOW IN FOLLOW FIG.)
- PEELING OFF SPEED : 300mm/Min.(Ref.)



35902-0011	35908-1003	49362-9901	49448-1411	494481411	49448-1411	8P/6P
COVER TAPE	REEL	EMBOSSED TAPE	CONNECTOR	MATERIAL NO.	ENG. NO.	CKTS

REVISED EC NO: KOR2010-0043 DRWN: SUNGHYUK JOO 2009/12/24 CHKD: YSOOKIM 2009/12/28 APPR: YUNSIKKIM 2009/12/29	QUALITY SYMBOLS ▽=0 ▽=0	GENERAL TOLERANCES (UNLESS SPECIFIED)		DIMENSION STYLE MM ONLY		SCALE 5:1	DESIGN UNITS METRIC	THIRD ANGLE PROJECTION		
			mm	INCH	DRAWN BY IHYOU	DATE 2009/06/01	TITLE M-SD/SIM COMBO SOCKET FOR 8P/6P			
		4 PLACES	± ---	± ---	CHECKED BY SHCHU	DATE 2009/06/01				
		3 PLACES	± ---	± ---	APPROVED BY YSOOKIM	DATE 2009/06/01	MOLEX INCORPORATED			
2 PLACES	± 0.1	± ---	MATERIAL NO. SEE TABLE		DOCUMENT NO. SD-49448-004	SHEET NO. 1 OF 3				
1 PLACE	± 0.15	± ---	DRAFT WHERE APPLICABLE MUST REMAIN WITHIN DIMENSIONS							
		ANGULAR ± 1°		THIS DRAWING CONTAINS INFORMATION THAT IS PROPRIETARY TO MOLEX INCORPORATED AND SHOULD NOT BE USED WITHOUT WRITTEN PERMISSION						

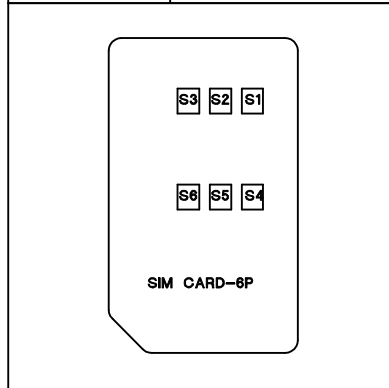
* TABLE 2 : PARTS-LIST

NO.	DESCRIPTION	ENGINEERING NO.	MATERIALS	FINISHES
1	mSD-CONTACT TERMINAL	49932-8031	PHOS.-BRONZE	Min. 0.2/0.05uM Au over Min. 1.27uM Ni Overall
2	S-CONTACT TERMINAL	49814-8031	BECU-7ALLOY	Min. 0.2/0.05uM Au over Min. 1.27uM Ni Overall
3	mSD-METAL SHELL	49933-5003	STAINLESS STEEL	Min. 0.7uM Ni Overall
4	S-METAL SHELL	49934-5003	STAINLESS STEEL	Min. 0.7uM Ni Overall
5	HOUSING	49448-1491	LIQUID CRYSTAL POLYMER	UL94V-0
6	HEART CAM	49383-0001	LIQUID CRYSTAL POLYMER	UL94V-0
7	SWITCH TERMINAL 1	49820-8031	PHOS.-BRONZE	Min. 0.1/0.05uM Au over Min. 1.27uM Ni Overall
8	SWITCH TERMINAL 2	49821-8031	PHOS.-BRONZE	Min. 0.1/0.05uM Au over Min. 1.27uM Ni Overall
9	FITTING NAIL	49819-8003	PHOS.-BRONZE	Min. 3.0uM Pure-Sn over Min. 1.27uM Ni Overall
10	PIN ROD	49225-9002	STAINLESS STEEL	
11	SPRING	49382-9001	STAINLESS STEEL	

* TABLE 3 : REFERENCE

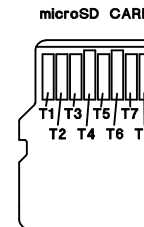
[SIM CARD-6P PIN-MAP]

PIN NUMBER	DESCRIPTION
S1	Vcc(Voltage)
S2	Vcc(Reset)
S3	CLK
S4	GND
S5	Vpp
S6	I/O

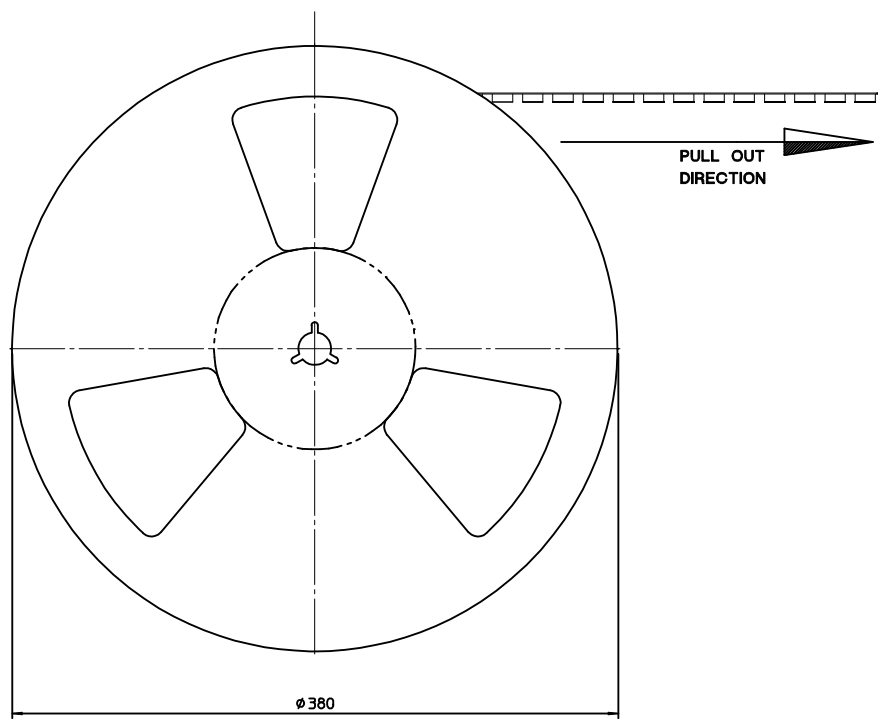


[microSD CARD PIN-MAP]

PIN NUMBER	DESCRIPTION
T1	DAT2
T2	CD/DAT3 ²
T3	CMD
T4	V _{DD}
T5	CLK
T6	V _{SS} ²
T7	DAT0
T8	DAT1

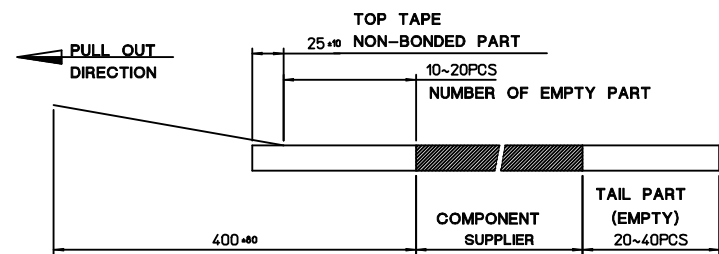


NEW REVISED EC NO: KOR2009-0171 DRWN: IHYOU 2009/06/30 CHKD: YS00K IM 2009/07/02 APPR: YUNSIKK IM 2009/07/02	QUALITY SYMBOLS	GENERAL TOLERANCES (UNLESS SPECIFIED)	DIMENSION STYLE	SCALE	DESIGN UNITS	THIRD ANGLE PROJECTION	
	▽=0 ◻=0	mm INCH 4 PLACES ± --- ± --- 3 PLACES ± --- ± --- 2 PLACES ± 0.10 ± --- 1 PLACE ± 0.15 ± --- ANGULAR ± 1 °	MM ONLY	5:1	METRIC		
	DESCRIPTION	DRAFT WHERE APPLICABLE MUST REMAIN WITHIN DIMENSIONS	DRAWN BY: IHYOU DATE: 2009.06.01 CHECKED BY: SHCHU DATE: 2009.06.01 APPROVED BY: YS00K IM DATE: 2009.06.01	TITLE	COMBO MEMORY SOCKET SIM&MICRO SD_6P&8P		
	REV	SIZE	MATERIAL NO.	DOCUMENT NO.	MOLEX INCORPORATED		
A	A3	SEE TABLE	SD-49448-004	SHEET NO. 2 OF 3			
			THIS DRAWING CONTAINS INFORMATION THAT IS PROPRIETARY TO MOLEX INCORPORATED AND SHOULD NOT BE USED WITHOUT WRITTEN PERMISSION				

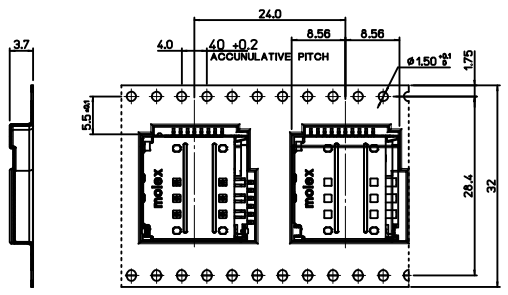
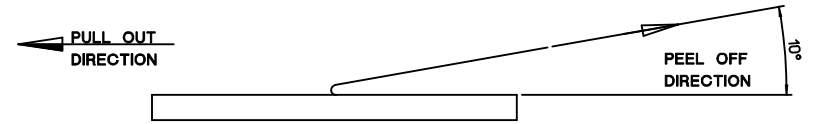


NOTES

1. QUANTITY OF CONNECTORS : 1,000PCS/REEL
2. LEAD LENGTH



3. PEELING OFF FORCE OF COVER TAPE : 0.1N~0.59N(10.2GF~80GF)
(PEELING DIRECTION AS SHOW IN FOLLOW FIG.)
- PEELING OFF SPEED : 300mm/MIn.(Ref.)



35902-0011	35908-1003	49362-9901	49448-1411	494481411	49448-1411	8P/8P
COVER TAPE	REEL	EMBOSSSED TAPE	CONNECTOR	MATERIAL NO.	ENG. NO.	CKTS

NEW REVISED EC NO: KOR2009-0171 DRWN: IHYOU 2009/06/30 CHKD: YSOOKIM 2009/07/02 APPR: YUNSIKKIM 2009/07/02	QUALITY SYMBOLS	GENERAL TOLERANCES (UNLESS SPECIFIED)		DIMENSION STYLE MM ONLY		SCALE 5:1	DESIGN UNITS METRIC	THIRD ANGLE PROJECTION	
	▽=0 ◻=0	4 PLACES	± ---	± ---	DRAWN BY IHYOU	DATE 2009.06.01	TITLE COMBO MEMORY SOCKET SIM&MICRO SD_6P&8P		
		3 PLACES	± ---	± ---	CHECKED BY SHCHU	DATE 2009.06.01			
		2 PLACES	± 0.10	± ---	APPROVED BY YSOOKIM	DATE 2009.06.01	MATERIAL NO. SEE TABLE		
	1 PLACE	± 0.15	± ---	ANGULAR ± 1 °		MOLEX INCORPORATED			
	DRAFT WHERE APPLICABLE MUST REMAIN WITHIN DIMENSIONS			MATERIAL NO. SEE TABLE		DOCUMENT NO. SD-49448-004		SHEET NO. 3 OF 3	