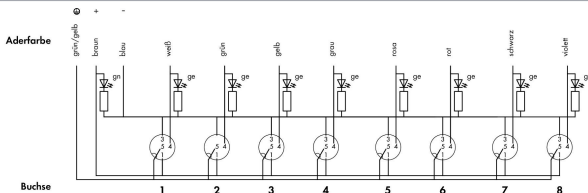


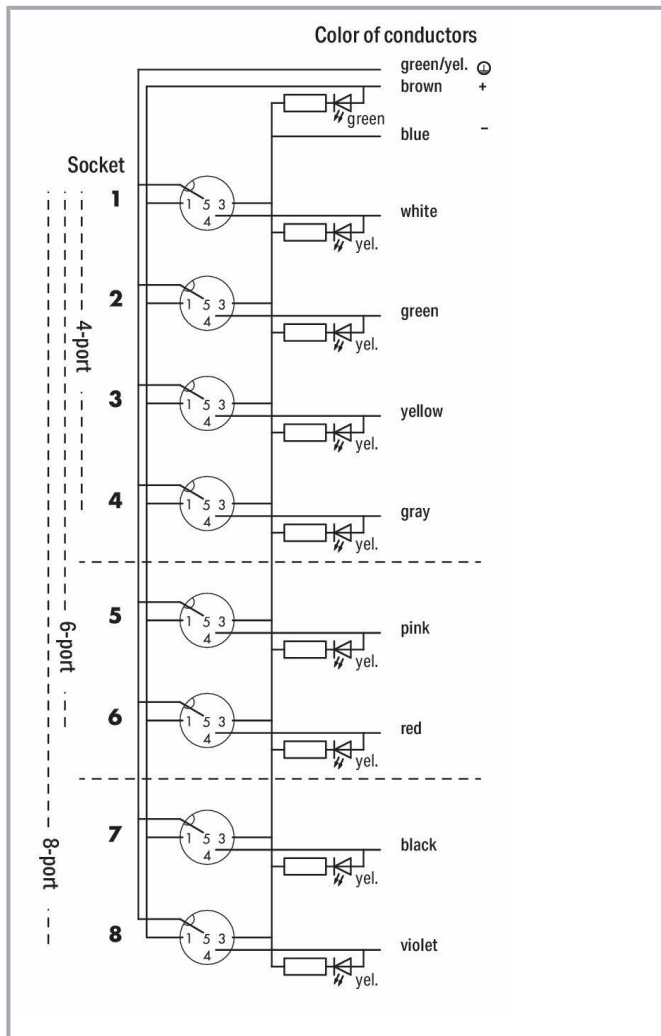
Picture differs from the item.



Subject to changes. Please also observe the further product documentation!

WAGO Kontakttechnik GmbH & Co. KG
Hansastr. 27
32423 Minden
Phone: +49571 887-0 | Fax: +49571 887-169
Email: info.de@wago.com | Web: www.wago.com

Do you have any questions about our products?
We are always happy to take your call at +49 (571) 887-44222.



Item description

- M12 sensor/actuator box, 8-way
- 4-pole (1 signal per contact)
- Cable length: 5, 10 and 25 m
- Green LED operating indicator
- Yellow LED status indicator
- incl. markers (10 pcs)
- incl. M12 protective caps (2 pcs)

Subject to changes. Please also observe the further product documentation!



Data

Technical data

Contact resistance (max.)	0.01 Ω
Supply voltage	10 ... 30 VDC; Rated voltage: 32 V ~ rms
Current carrying capacity (signal connections)	2 A
Current carrying capacity (supply connections)	9 A
Rated value of electrical isolation	500 V
Functionally separated potential groups	Kontakt/Kontakt
Insulation resistance	1000 M Ω
Signal characteristic	PNP
Indicators	LED (A) yellow: Signal status (1 x per contact); LED (U) green: Sensor /actuator box status

Connection data

Connection technology: inputs/outputs	8 x M12 socket; 4-pole; incl. ground
Connection technology: trunk cable	1 x Fixed connecting cable
Length of connecting cable	5 m
Strip length	100 mm / 3.94 inch
Wire colors	white, green, yellow, gray, pink, red, black, purple, green/yellow, brown, blue
Cable design	Wire cross-section: 0.34 mm ² ; Wire cross-section 2: 1 mm ²

Physical data

Width	60 mm / 2.362 inch
Height	26 mm / 1.024 inch
Depth	152 mm / 5.984 inch

Mechanical data

Mounting type	Screw mounting
---------------	----------------

Material data

Housing material	PA 66 (UL 94 V0); RAL 7035; silicon and halogen free
Halogen-free	Yes
Sheathed cable diameter	8.2 mm
Bending radius	10 x cable diameter (min.) for flexible application

Subject to changes. Please also observe the further product documentation!

Material properties of the connections	Contact: CuSn, nickel base-coat plating and 0.8 µm gold-plated; Threaded bush: die-cast Zn, nickel-plated; Seal: Viton; 50 mating cycles
Sheath material	PUR
Sheathed cable color	black
Encapsulation	Fully encapsulated with conformal coating (UL 94 V0)

Environmental requirements


Surrounding air temperature (operation)	-25 ... 80 °C
Surrounding air (operating) temperature (dynamic)	-5 ... +80 °C
Surrounding air (operating) temperature (static)	-40 ... +80 °C
Protection type	IP68
Note on protection type	72 h at a depth of 1 m under water per EN 60529 in the fully locked position with its plugs or protective caps
Pollution degree (5)	3 per VDE 0110
Vibration resistance	per IEC 60068-2-6
Shock resistance	per IEC 60068-2-27

Commercial data

PU (SPU)	1 Stück
Packaging type	box
Country of origin	DE
GTIN	4045454028466
Customs tariff number	85366990990

Approvals / Certificates

UL-Approvals

Logo	Approval	Additional Approval Text	Certificate name
	UL UL International Germany GmbH (ORDINARY LOCATIONS)	UL 508	E175199 Sec.5

Optional accessories

Marking accessories

Marking strip

Subject to changes. Please also observe the further product documentation!



Item no.: 757-011

Marker card; not stretchable; snap-on type; white

www.wago.com/757-011

Marking device



Item no.: 210-110

Fiber-tip pen

www.wago.com/210-110

Downloads

Documentation

System Description

Sensor/Actuator Boxes – General Product Information	pdf	Download
	537.3 kB	

Additional Information

Disposal; Electrical and electronic equipment, Packaging	V 1.0.0	pdf	Download
		265.8 kB	

CAD/CAE-Data

CAE data

EPLAN Data Portal 757-284/000-005	URL	Download
WSCAD Universe 757-284/000-005	URL	Download
WSCAD Universe 757-284/000-005	URL	Download
EPLAN Data Portal 757-284/000-005	URL	Download
ZUKEN Portal 757-284/000-005	URL	Download

CAD data

2D/3D Models 757-284/000-005	URL	Download
------------------------------	-----	----------

Environmental Product Compliance

Compliance Search

Environmental Product Compliance 757-284/000-005	URL	Download
--------------------------------------------------	-----	----------

Subject to changes. Please also observe the further product documentation!

Data sheet | Item number: 757-284/000-005

www.wago.com/757-284/000-005



M12 sensor/actuator box; 8-way; 4-pole; 5m connecting cable

Installation Notes

Subject to changes. Please also observe the further product documentation!

WAGO Kontakttechnik GmbH & Co. KG
Hansastr. 27
32423 Minden
Phone: +49571 887-0 | Fax: +49571 887-169
Email: info.de@wago.com | Web: www.wago.com

Do you have any questions about our products?
We are always happy to take your call at +49 (571) 887-44222.