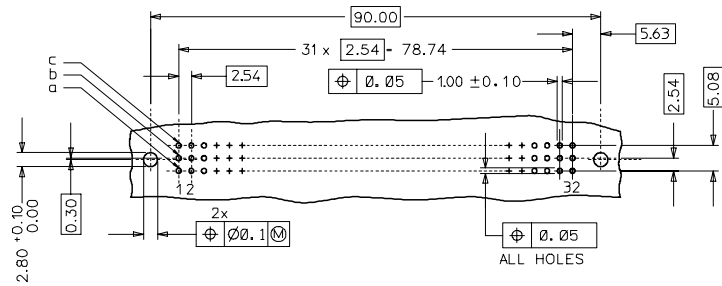
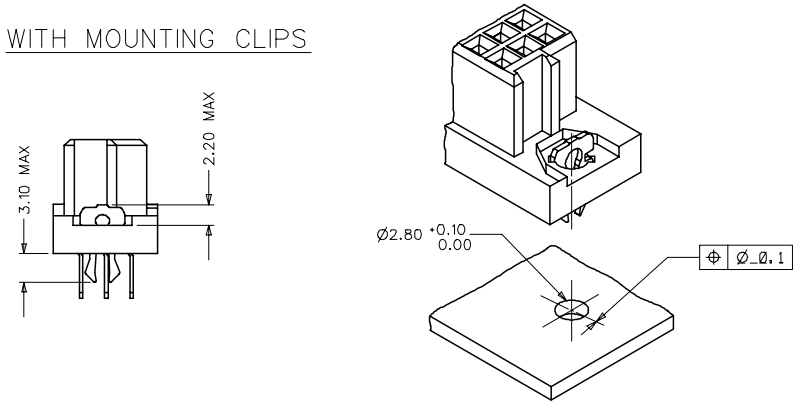


RECOMMENDED PCB LAYOUT
COMPONENT SIDE



WITH MOUNTING CLIPS

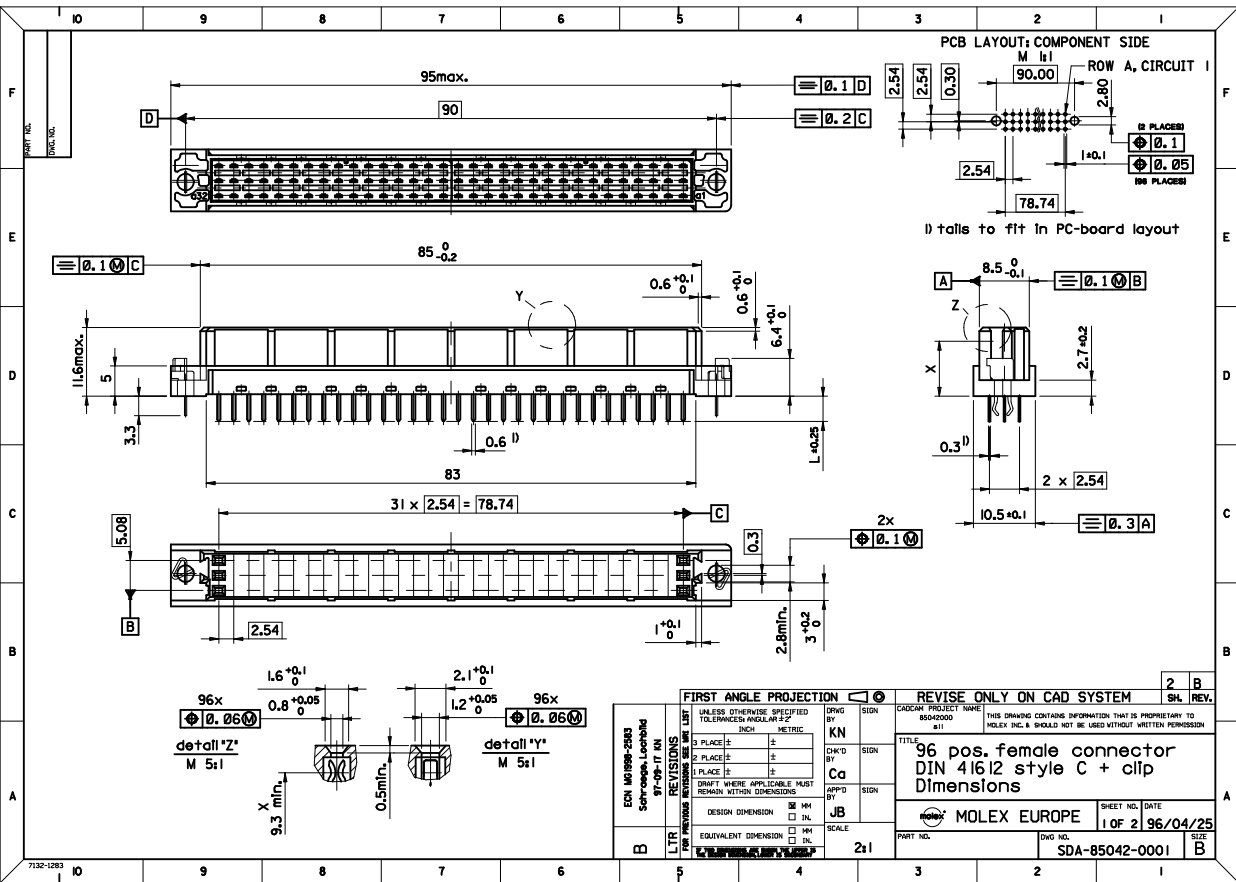


NOTES:

- MATERIALS: THERMOPLASTIC POLYESTER, GLASS FILLED, UL94V-0, COLOUR: PEBBLE GREY RAL 7032
TERMINAL - PHOSPHOR BRONZE
MOUNTING CLIP: STEEL
- FINISH: TERMINAL:-
CONTACT AREA:
1. PERFORMANCE LEVEL 1: SELECTIVE GOLD (Au), THICKNESS = 1.1 MICROMETER OVER NICKEL, THICKNESS = 1.5 MICROMETER
2. PERFORMANCE LEVEL 2: SELECTIVE GOLD (Au), THICKNESS = 0.6 MICROMETER OVER NICKEL, THICKNESS = 1.5 MICROMETER
3. PERFORMANCE LEVEL 3: SELECTIVE GOLD (Au), THICKNESS = 0.3 MICROMETER OVER NICKEL, THICKNESS = 1.5 MICROMETER
TERMINATION AREA:
SELECTIVE TIN, THICKNESS = 5 MICROMETER
OVER NICKEL, THICKNESS = 1.5 MICROMETER OVERALL
- MOUNTING CLIP:-
TIN (Sn), THICKNESS = 5-10 MICROMETER,
OVER NICKEL (Ni), THICKNESS = 2.5 MICROMETER
- FOR NON MOUNTING CLIP OPTION, CONNECTOR TO BE SECURED WITH RIVETS: 2 TUBULAR RIVETS 2.5 x 0.3 ... DIN 7340
SCREWS: 2 CHEESEHEAD SCREWS M2.5 x ... DIN 84 AND 2 HEXAGONAL NUTS M2.5 DIN 934
- MATERIAL No, BATCH CODE, UL AND CSA MARKING TO BE PRINTED ON THE CONNECTOR.
- CUT FACES OF TIP WITHOUT PLATING PERMITTED.
- PRODUCT SPECIFICATION PS:36500-001

RoHS COMPLIANT

ENTER DESCRIPTION E.C.N.C. 12007-0193 DRAWING NO. 2007/01/08 CHKD BY CHANDRASEKAR APPROVED BY 2007/01/09	QUALITY SYMBOLS ▽=0 ▽=0	GENERAL TOLERANCES (UNLESS SPECIFIED)		DIMENSION STYLE MM ONLY		SCALE 2:1	DESIGN UNITS METRIC	THIRD ANGLE PROJECTION	
REV A	DESCRIPTION	4 PLACES ±	±	DRAWN BY SSUDHIR	DATE 2000/09/22	TITLE ASSEMBLY DIN 41612 C FEMALE 96 POS 1.0MM PCB DIA			
		3 PLACES ±0.05	±	CHECKED BY G.L	DATE 2000/09/22				
		2 PLACES ±0.1	±	APPROVED BY G.L	DATE 2000/09/22	MATERIAL NO. 85042-0001		DOCUMENT NO. SD-85042-0001	
		1 PLACE ±0.15	±	DRAFT WHERE APPLICABLE MUST REMAIN WITHIN DIMENSIONS		SIZE A 1		SHEET NO. 1 OF 1	



SHT. 1 OF		MRI -		MODIFICATION RECORD INDEX		
ECN	ISS.	DATE	INIT.	SHTS. AFFECTED	DESCRIPTION OF MOD.	
2213	A	96.04.26	KN	1 / 2	first release	
2253	AI	96.10.01	KN	1	Kontur ueber Rastfenster	
2583	B	97.09.17	KN	1	Schraege im Flanschbereich Lochbild	

MOLEX EUROPE		REVISE ONLY ON CAD SYSTEM	
THIS DRAWING CONTAINS INFORMATION THAT IS PROPRIETARY TO MOLEX INC. & SHOULD NOT BE USED WITHOUT WRITTEN PERMISSION		CAD/CAM FILENAME	
MF0028		ISSUE	

LEVEL CHART

1	17	33	49
2	18	34	50
3	19	35	51 LEVEL INDEX
4	20	36	52 RESERVED
5	21	37	53 RESERVED
6	22	38	54 Inspection Balloons
7	23	39	55 DIMENSIONS
8	24	40	56 TABLES/CHARTS
9	25	41	57 REVISION TEXT & MRI
10	26	42	58 Notes/text - English
11	27	43	59 Bill of materials
12	28	44	60 notes/text - german
13	29	45	61
14	30	46	62 notes/text - french
15	31	47	63 RESERVED
16	32	48	

