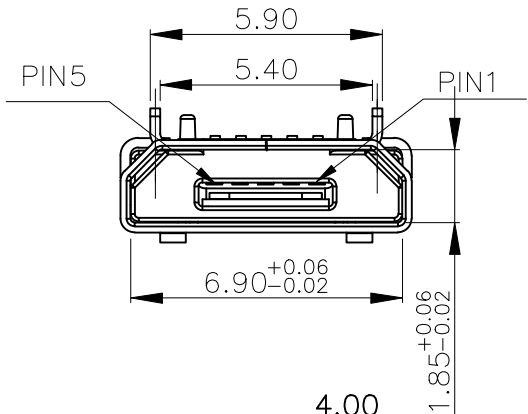
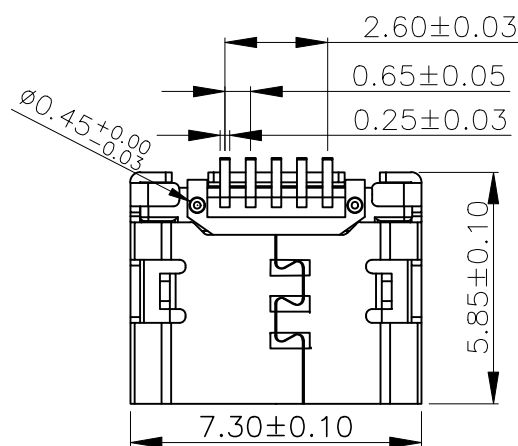


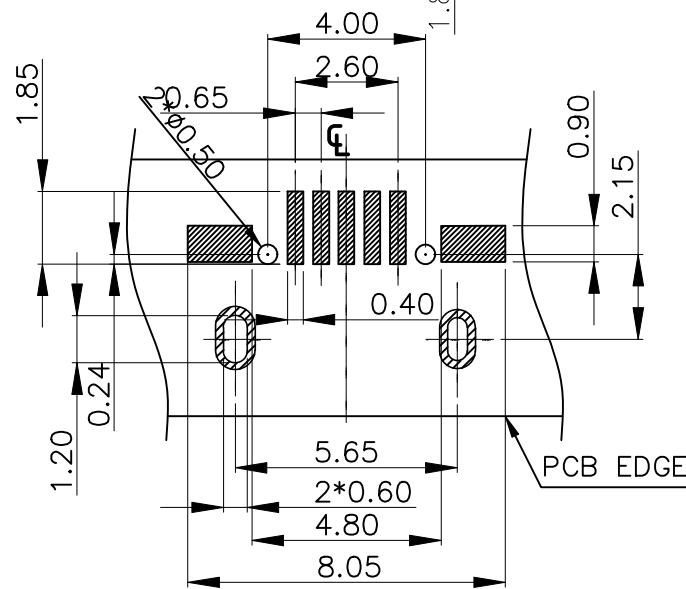
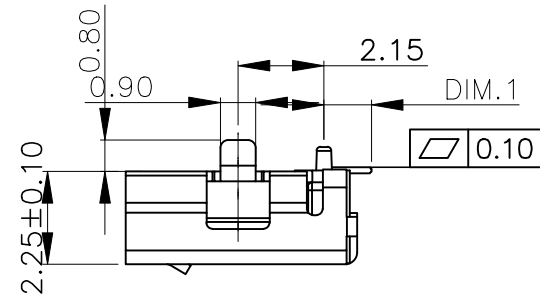


REV.	ECN NO OR DESCRIPTION	REVISED	DATE

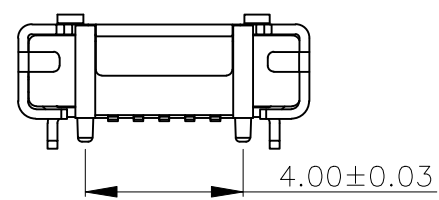


**Specification:**

- Electrical Characteristics:**  
 Current rating: 1,5PIN 1.8A Max/2,3,4PIN 1A Max.  
 Dielectric withstanding voltage: 100 V(ac) for 1 min.  
 Insulation Resistance: 100 MΩ Minimum.  
 Contact Resistance: 30 mΩ Maximum.
- Environmental:**  
 Operating Temperature: -30°C~+80°C.
- Mechanical Characteristics:**  
 Total mating force: 3.57 Kgf Max.  
 Total unmating force: 1.0 Kgf Min.
- Material:**  
 Insulator: HI-Temp Plastic UL 94V-O Rated.  
 Contact: Copper Alloy(t=0.15mm).  
 Shell: Copper Alloy/C2680(t=0.20mm).



RECOMMENDED P.C.B. LAYOUT  
 TOLERANCE UNSPECIFIED ±0.05mm



UNLESS OTHERWISE SPECIFIED TOLERANCES		东莞市汉博电子科技有限公司 DONGGUAN HANBO TECHNOLOGY CO., LTD			
DECIMALS:	ANGLES:	TITLE	MICRO USB 5P 5.9前插后贴直边有柱		
X : ±0.20	X : ±2°	DWN	xiong	PART NO. MC-605-AWT	
X.X : ±0.15	X.X : ±1°	CHKD	lee	SCALE: 1:1	UNIT: mm
X.XX : ±0.10		APVD	wang	SIZE: A4	SHEET: 10F 1
		REV: A4			
CUSTOMER COPY					