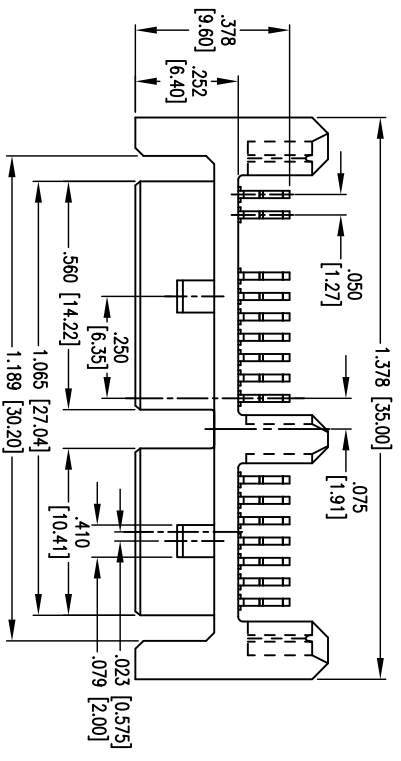


APPROVED: _____
 DATE: _____

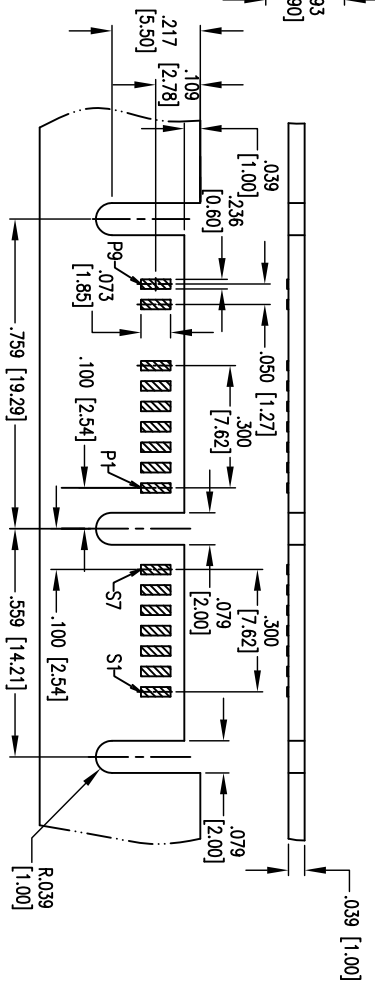
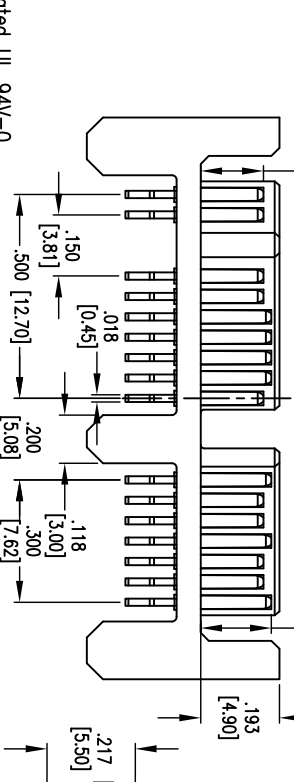
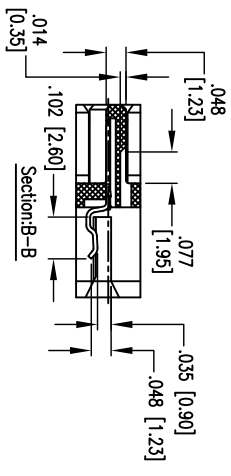
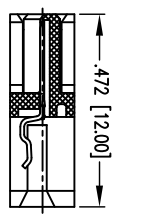
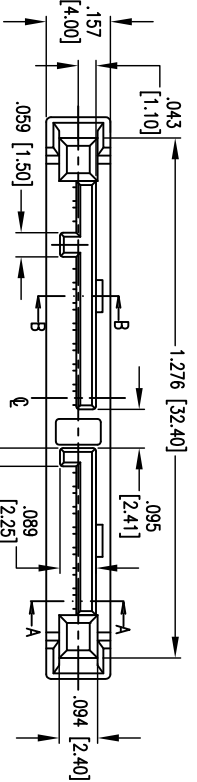
TITLE: _____

Rev	AWO #	Description	Date	Appr
-	11221	RELEASED	3/28/11	



Pin Number	Signal Name	Description
S1	GND	
S2	A+	Differential Signal
S3	A-	Differential Signal
S4	GND	
S5	B-	Differential Signal
S6	B+	Differential Signal
S7	GND	

Pin Number	Power Designation
P1	+3.3V
P2	+3.3V
P3	GND
P4	GND
P5	+5V
P6	+5V
P7	Reserved
P8	Optional
P9	Optional



RECOMMENDED PCB LAYOUT

SPECIFICATIONS:
 Material: LCP, rated UL 94V-0
 Insulator color: Black
 Contacts: Brass
 Plating: Gold Flash over Nickel underplate on contact area, Tin over Copper underplate on solder tails
 Electrical:
 Current rating: 1.5 Amps max
 Contact resistance: 30 mohms max
 Insulation resistance: 1000 Mohms min
 Dielectric withstanding voltage: 500 VAC for 1 minute
 Operating temperature: 0°C to +85°C
 Environmental:
 Lead free, RoHS compliant
 Recommended soldering temp: 260° C for 5 seconds

ADAM TECH

909 Rahway Avenue, Union, NJ 07083
 Phone: 908-687-5000 Fax: 908-687-5710

MICRO SATA 7+7+2P STRADDLE MALE

UNLESS OTHERWISE SPECIFIED ALL DIMENSIONS ARE INCHES [MM]	
TOLERANCES: EXCEPT AS NOTED	
.X	±.10
.XX	±.020
.XXX	±.015
.XXXX	±.010
HOLDING DIMENSIONS: EXCEPT AS NOTED	
ØX	±.10
ØXXX	±.015
ØXXXX	±.010
APPROVALS	
DRAWN	DY
CHECKED	
APPROVED	
DATE	3/28/11
TITLE	
SIZE	PART NO.
X	SATA-V-PR-SM
REF:	S00078T
SCALE:	NIS
SHEET	1 OF 1