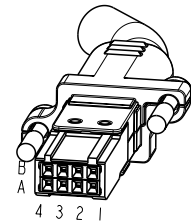
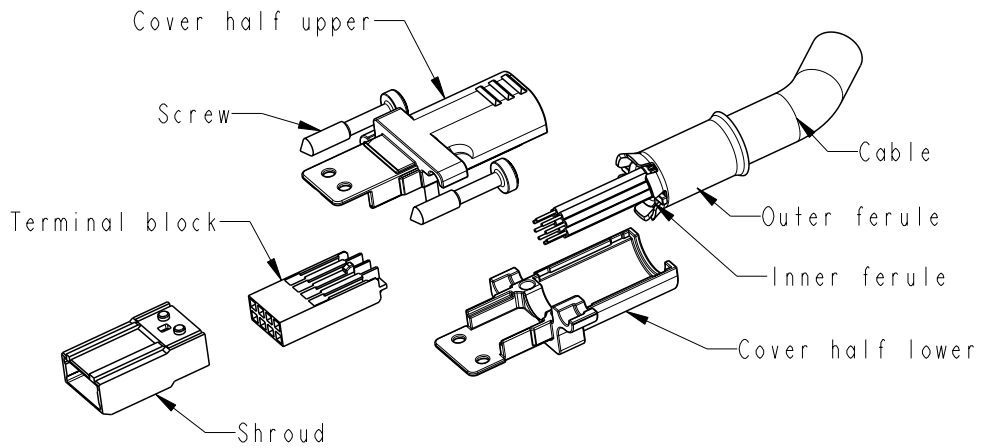




Copyright FCI.



www.fciconnect.com			surface 0.8 / ISO 1302		tolerance std ISO 406 ISO 1101		projection	mm
TOLERANCES UNLESS OTHERWISE SPECIFIED								
Dr	Stroeykens	2002/06/30	ANGULAR	LINEAR	0.X	±0.3	size A4	Scale 1:1
Eng	G.Nys	2002/06/30			0.XX	±0.1		
Chr	W.Panis	2002/06/30	0°	±°	0.XXX	±0.05	ECN	LS07-0285
Appr	W.Panis	2002/06/30	Product family METRAL SOFIX			Spec ref		RELEASED
			title SHIELDED CABLE CONNECTOR			dwg no 72861_C		Rev. G
			8 POS - IDC			CUSTOMER COPY		sheet 2 of 3
catalog no								

REV F - 2006-04-17

PDM: Rev:G

STATUS:Released

Printed: Aug 01, 2010

LEAD-FREE PRODUCTS:(see note 7)

Kit: 72861-X01LF	
COMPONENTS	QTY
COVER UPPER	1
COVER LOWER	1
FERRULE OUTER	1
FERRULE INNER	1
SCREW	2
SHROUD	1
TERMINAL BLOCK	1



Dimension with oval around are critical dimensions including any attached geometrical tolerance. Other features or stand-alone geometrical tolerances being critical have a note "CRITICAL FEATURE" below the item

A symbol $\triangle x$ (x: drawing current revision) will be next to any dimension, view or note which has been modified with the current drawing revision



Copyright FCI.

www.fciconnect.com			surface 0.8 / ISO 1302		tolerance std ISO 406 ISO 1101		projection 		mm 								
			TOLERANCES UNLESS OTHERWISE SPECIFIED														
Dr	Stroeykens	2002/06/30	ANGULAR	LINEAR	0.X	±0.3	size A4	Scale 1:1									
Eng	G.Nys	2002/06/30			0.XX	±0.1											
Chr	W.Panis	2002/06/30	0°	±°	0.XXX	±0.05	ECN		LS07-0285								
Appr	W.Panis	2002/06/30	Product family			METRAL SOFIX		Spec ref		RELEASED							
		title				SHIELDED CABLE CONNECTOR				dwg no		72861_C		Rev.		G	
		8 POS - IDC								CUSTOMER COPY		sheet 3 of 3					
		catalog no															

REV F - 2006-04-17