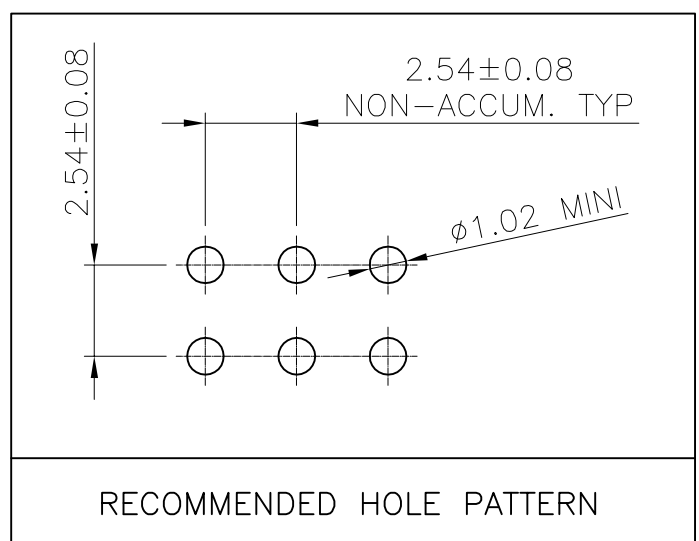
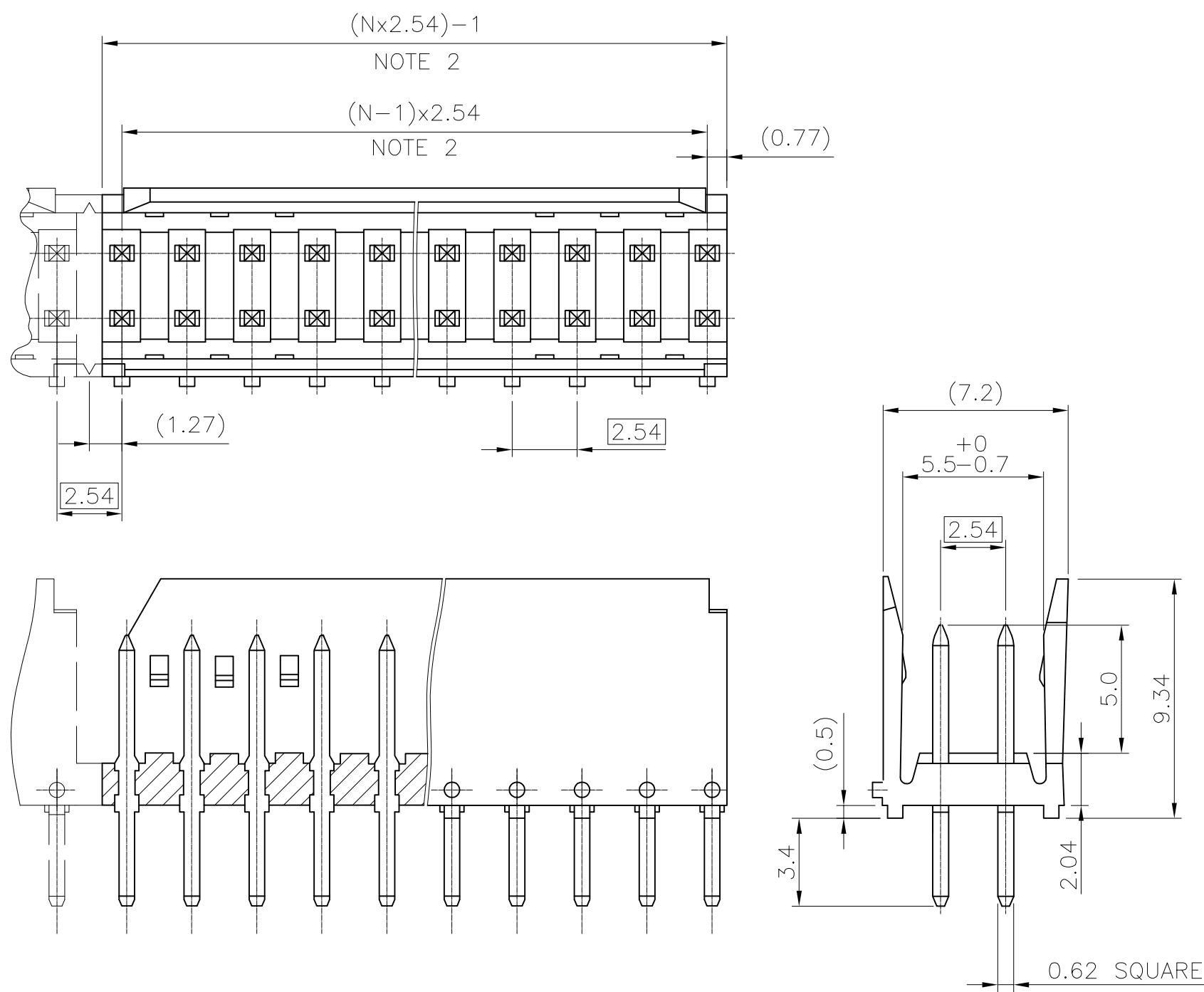


PRODUCT NUMBER  
SEE SHEET 2

NOTES :

1. MINI PUSH-OUT FORCE TERMINAL IN BOTH DIRECTIONS 22N.
2. TO DETERMINE DIMENSIONS:  
N = NUMBER OF POSITIONS PER ROW  
EXAMPLE: 8 POS:  $(N \times 2.54) - 1 = 19.32$  mm



mat'l. code		surface		tolerance		projection		product family	
SEE NOTES		ISO 1302		ISO 406 ISO 1101		mm		DUBOX	
ltr	ecn no	dr	date	tolerances unless otherwise specified		mm		title	
P	F07-0220	JCO	07.06.14	angles	.X ±0.3	mm		SHR. HEADER	
R	F08-0147	YOV	08.04.14	linear	.XX ±0.15	mm		STR DR TMT	
					.XXX ±0.05	scale 5:1		dwg no	
K	F05-0159	LMU	05.03.31	dr	G CORBOZ	01.01.12		sheet 1 of 2	
L	F06-0106	LMU	06.01.12	enr	P NIZZI	01.01.12		size	
M	F06-0228	LMU	06.07.11	chr	D LEGRAND	01.01.12		A3	
N	F07-0147	LMU	07.03.01	appd	P N	01.01.12		type	
sheet index		revision sheet		R	F			CUSTOMER Drawing	
		1		2					

STANDARD PRODUCT NUMBER

76385-YXX

NUMBER OF POSITIONS PER ROW: 02 TO 18

PLATING CODE

- 3= 0.76µm GOLD/GXT ON CONTACT AREA.  
3.81µm TIN-LEAD ON TAIL.
- 4= 5µm TIN-LEAD ON CONTACT AREA.  
3.81µm TIN-LEAD ON TAIL.

NOTES:

- 1 - HOUSING MAT'L: THERMOPLASTIC GLASS FILLED  
FLAME RETARDANT PER UL 94 V-O COLOR: BLUE.
- 2 - TERMINAL MATERIAL: COPPER ALLOY.
- 3 - 2 UP TO 6 POSITIONS PER ROW, PRODUCT PACKED IN PLASTIC BAG.  
7 UP TO 18 POSITIONS PER ROW, PRODUCT PACKED IN TUBE.
- 4 - ONLY DASH NUMBER -X02 AND -X03  
ALWAYS TEN (10) PRODUCTS MOLDED ASSEMBLY  
& DELIVERED ON STRIP ACCORDING PHANTOM LINES.

RoHs COMPLIANT PRODUCT NUMBER

76385-YXXLF

SUFFIX LETTER "LF" INDICATES THE PRODUCT IS RoHs COMPLIANT, SEE NOTE 5

PLATING CODE

- 3= 0.76µm GOLD/GXT ON CONTACT AREA.  
2µm MIN MATTE TIN ON TAILS.  
OVER 1.27µm Ni MIN
- 4= 2µm MIN MATTE TIN  
OVER 1.27µm Ni MIN

NOTES:

- 1 - HOUSING MAT'L: THERMOPLASTIC GLASS FILLED  
FLAME RETARDANT PER UL 94 V-O COLOR: BLACK.
- 2 - TERMINAL MATERIAL: COPPER ALLOY.
- 3 - 2 UP TO 6 POSITIONS PER ROW, PRODUCT PACKED IN PLASTIC BAG.  
7 UP TO 18 POSITIONS PER ROW, PRODUCT PACKED IN TUBE.
- 4 - ONLY DASH NUMBER -X02 AND -X03  
ALWAYS TEN (10) PRODUCTS MOLDED ASSEMBLY  
& DELIVERED TON STRIP ACCORDING PHANTOM LINES.
- 5 - RoHS COMPATIBLE PRODUCT SPECIFICATIONS
  - a - PLATING:
    - "LF" MEANS THE PRODUCT IS LEAD-FREE,  
2µm MINIMUM MATTE TIN OVER 1.27µm  
MINIMUM NICKEL UNDERPLATE.
  - b - MANUFACTURING PROCESS COMPATIBILITY
    - THE HOUSING WILL WITHSTAND EXPOSURE TO  
260°C ±5°C SOLDER BATH TEMPERATURE FOR  
5 SECONDS IN A WAVE SOLDER APPLICATION  
WITH A 1.6mm MIN THICK CIRCUIT BOARD.
  - c - LABELING:
    - MEETS PACKAGING SPECS AS PER GS-14-920
  - d - LEGAL STATEMENT: SEE GS-22-008

mat'l. code				surface		tolerance		projection		product family					
SEE NOTES				ISO 1302		ISO 406 ISO 1101		mm		DUBOX					
ltr	ecn no	dr	date	tolerances unless otherwise specified		angles		linear		title		sheet 2 of			
A	F05-0159	LMU	05.03.31	.X ±0.3						SHR. HEADER		size			
B	F06-0106	LMU	06.01.12	.XX ±0.15						STR DR TMT		A3			
C	F06-0228	LMU	06.07.11	.XXX ±0.05				scale 5:1		dwg no		76385			
D	F07-0147	LMU	07.03.01	dr	L.MULIN	05.03.31		FCJ		sheet 2 of		2			
E	F07-0220	JCO	07.06.14	enr	J.COMPAGNON	05.03.31				type		CUSTOMER Drawing			
F	F08-0147	YOV	08.04.14	chr											
sheet index		revision sheet													



Copyright FCI