

10BASE-T NETWORK COMPONENTS

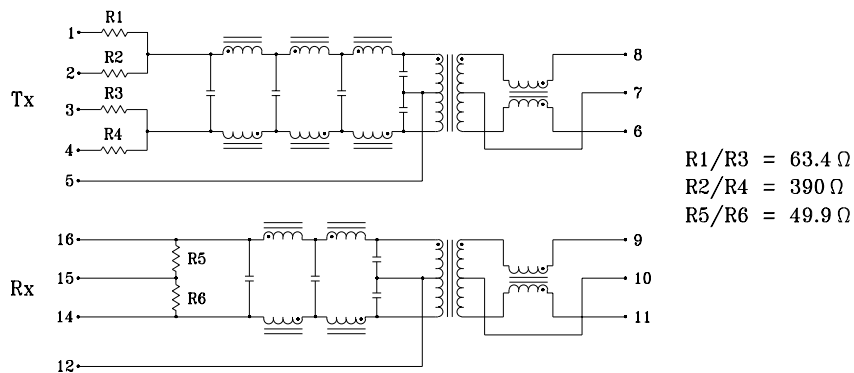
960057A

- Designed for use with LSI Logic L64381 10Base-T PHY transceiver
- Integrated resistor network for impedance matching
- Low profile, surface mount package, rated for 225°C peak IR reflow temperature
- 2000 Vrms isolation

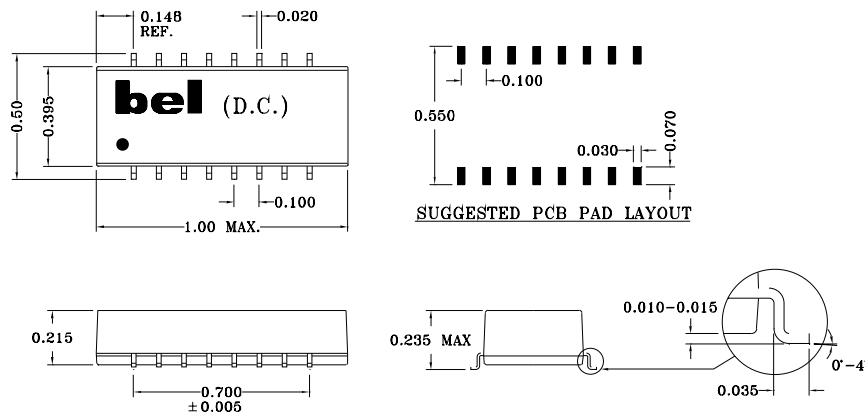
ELECTRICALS AT 25°C

Part No.	Insertion Loss (dB) Max	Attenuation (dB) Min			Return Loss (dB) Min	Crosstalk (dB) Min	CM-CM Rej (dB) Min		
		1-10MHz	20MHz	25MHz			30MHz	10-30MHz	30-100MHz
S556-5999-29	-1.0	TX	-7.0	-18	-28	-15	-35	-40	-30
		RX	-5.0	-11	-16				

SCHEMATIC



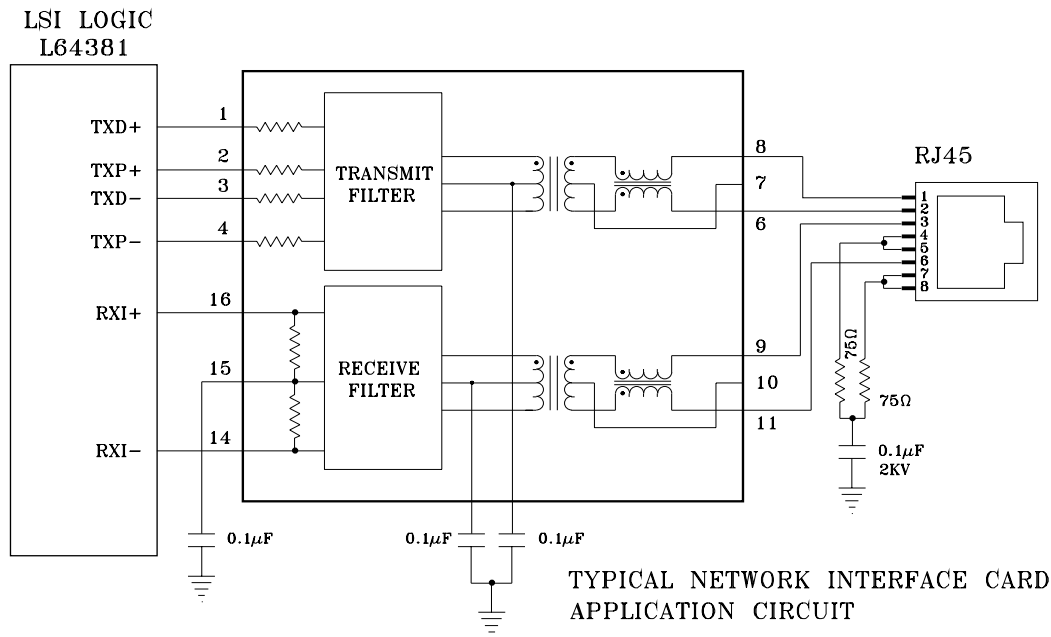
MECHANICAL



Specifications subject to change without notice.

10BASE-T NETWORK COMPONENTS

960057A

APPLICATION CIRCUIT**APPLICATION NOTES**

- Bel's surface mount 10Base-T network component filter modules provide a complete solution for the interface module between the IC transceiver chip and the media side connector. Designed within each module are transmit and receive filter networks, high voltage isolation transformers and high performance EMI suppression common mode chokes. Each module fully meets the IEEE 802.3 standards for 10 Mbps data rates over 100 meters of media cable.
- This Bel part type has been designed to provide signal performance optimization, maximum noise reduction and minimum crosstalk interference. Careful board layout and grounding techniques are also critical to control jitter and signal reflections.
- Bel's low profile, surface mount packaging is ideal for high speed pick and place machinery. Parts can be shipped on tape and reel for high speed placement. Construction processes have been implemented for thermal compatibility with high temperature IR reflow assembly processing. Post dipping of leads assist with PC board solderability. Each part is optically inspected to meet rigid coplanarity requirements.

Corporate Office

Bel Fuse Inc.
198 Van Vorst Street, Jersey City, NJ 07302-4496
Tel: 201-432-0463
Fax: 201-432-9542
E-Mail: BelFuse@belfuse.com
Internet: <http://www.belfuse.com>

Far East Office

Bel Fuse Ltd.
8F/8 Luk Hop Street
San Po Kong
Kowloon, Hong Kong
Tel: 852-2328-5515
Fax: 852-2352-3706

European Office

Bel Fuse Europe Ltd.
Preston Technology Management Centre
Marsh Lane, Preston PR1 8UD
Lancashire, U.K.
Tel: 44-1772-556601
Fax: 44-1772-888366