

ATLANTIC VERSION TERMINATOR INTERFACE ADAPTER	PART NUMBER	REVISION	DESCRIPTION	FEED TYPE
	2266124-1	C	FINE CRIMP HEIGHT ADJUST	MECHANICAL
	2266124-2	C	FINE CRIMP HEIGHT ADJUST	PNEUMATIC
	2266124-5	C	FINE CRIMP HEIGHT ADJUST	SERVO LATCH PLATE <sup>4</sup>
	2266124-6	C	NON-CRIMP HEIGHT ADJUST	SERVO LATCH PLATE <sup>4</sup> <sup>12</sup>
	2266124-7	C	FINE CRIMP HEIGHT ADJUST	NONE
	7-2266124-7	C	CRIMP TOOLING KIT	
	7-2266124-8	C	APPLICATOR CONVERSION KIT	

APPLICATOR DATA		
CRIMP	SIZE	TYPE
WIRE	2.97 mm [.117]	F
INSUL	3.96 mm [.156]	O

APPLICATOR INSTRUCTIONS 408-10389

APPLICATOR CONVERSION KITS	
PART NUMBER	INSULATION DIAMETER RANGE
7-2266124-8	Ø3.83-4.47mm [.151-.176]
7-2266125-8	Ø3.28-3.81mm [.129-.150]
7-2266126-8	Ø2.87-3.25mm [.113-.128]

TERMINAL DATA: DEUTSCH TERMINAL DEUTSCH CRIMP SPECIFICATION			
TERMINAL NAME: STAMPED CONTACT PIN SIZE 12			
WIRE STRIP LENGTH	INSULATION DIAMETER RANGE		
5.71-6.99 mm [.225-.275 IN]	Ø3.83-4.47 mm [.151-.176 IN]		
TERMINAL APPLICATION SPECIFICATION	0425-208-0000 Rev G		
TERMINALS APPLIED <sup>3</sup> <sup>4</sup>			
TE TERMINAL	DEUTSCH TERMINAL	TE TERMINAL	DEUTSCH TERMINAL
1572028-2	1060-12-0144	1572028-1	1060-12-0166

TERMINAL DATA: DEUTSCH TERMINAL DEUTSCH CRIMP SPECIFICATION			
TERMINAL NAME: STAMPED CONTACT SOCKET SIZE 12			
WIRE STRIP LENGTH	INSULATION DIAMETER RANGE		
5.71-6.99 mm [.225-.275 IN]	Ø3.83-4.47 mm [.151-.176 IN]		
TERMINAL APPLICATION SPECIFICATION	0425-208-0000 Rev G		
TERMINALS APPLIED <sup>4</sup> <sup>6</sup>			
TE TERMINAL	DEUTSCH TERMINAL	TE TERMINAL	DEUTSCH TERMINAL
286955-2	1062-12-0144	286955-1	1062-12-0166

WIRE SIZE	CRIMP HEIGHT mm [INCH]	CRIMP HEIGHT REFERENCE SETTING
4.00mm2	2.24+0.03/-0.05 [.088+.001/- .002]	4.9
12 AWG	2.03+0.03/-0.05 [.080+.001/- .002]	7.2
3.00mm2	2.03+0.03/-0.05 [.080+.001/- .002]	7.4
2.50mm2	1.88+0.03/-0.05 [.074+.001/- .002]	8.3
14 AWG	1.78+0.03/-0.05 [.070+.001/- .002]	9.7
2.00mm2	1.78+0.03/-0.05 [.070+.001/- .002]	9.7

- <sup>1</sup> RECOMMENDED SPARE PARTS
- <sup>2</sup> GREASE BEARING SURFACES LIGHTLY
- 3. LUBRICATE DAILY PER THE APPLICATOR INSTRUCTION SHEET SUPPLIED WITH THE APPLICATOR.
- <sup>4</sup> APPLICATOR SPECIFIC DATA TO BE ENTERED INTO BLANK MEMORY CHIP AT ASSEMBLY. SEE BELOW FOR PART NUMBER:  
MECHANICAL FEED WITH "SMART APPLICATOR" CONVERSION: 8-2266124-4  
PNEUMATIC FEED WITH "SMART APPLICATOR" CONVERSION: 8-2266124-4  
SERVO FEED WITH "FINE CRIMP HEIGHT ADJUST": 8-2266124-5  
SERVO FEED WITH "NON-CRIMP HEIGHT ADJUST": 8-2266124-6
- 5. ADJUSTMENT OF THE STRIPPER MAY BE REQUIRED WHEN MOVING THE APPLICATOR BETWEEN BENCH AND LEADMAKER APPLICATIONS.
- <sup>6</sup> APPLY PART NUMBER 1-23419-5 LOCTITE TO THREADS OF ITEMS 62. APPLY PART NUMBER 2-23419-6 LOCTITE TO THREADS OF ITEMS 242. FOR -6 ONLY APPLY PART NUMBER 1-23419-5 LOCTITE TO THREADS OF ITEMS 37.
- <sup>7</sup> GREASE THREADS, GROOVE AND O-RING ON ITEMS 35 & 252.
- <sup>8</sup> MAGNET, ITEM 166 MUST BE ORIENTED CORRECTLY IN ORDER TO PROPERLY ACTUATE THE COUNTER.
- <sup>9</sup> CRIMP HEIGHT REFERENCE SETTING WAS THE SETTING USED WHEN THE APPLICATOR WAS QUALIFIED AT THE FACTORY. ADJUSTMENT MAY BE NECESSARY WHEN RUNNING APPLICATOR IN THE FIELD.
- <sup>10</sup> SPARE FEED CAM STORAGE LOCATION REFER TO INSTRUCTION SHEET FOR ADDITIONAL INFORMATION.
- <sup>11</sup> TO CONVERT THE APPLICATOR TO A NON-CARRIER CUTTING STYLE, REMOVE ITEM 13 AND ATTACH TO THE LOCATION ON THE BACK SIDE OF THE HOUSING. REFER TO INSTRUCTION SHEET FOR ADDITIONAL INFORMATION.
- <sup>12</sup> WHEN ASSEMBLING A NON CRIMP HEIGHT ADJUST APPLICATOR (-6) USE SHIMS FROM ITEM 260 TO ACHIEVE A NOMINAL SHIM HEIGHT OF 3.56.
- <sup>13</sup> DIMENSION 2.0±0.5 APPLIES TO PIN TERMINALS 1060-12-01XX.
- <sup>14</sup> DIMENSION 7.9±0.5 APPLIES TO SOCKET TERMINALS 1062-12-01XX.
- <sup>15</sup> SEE APPROPRIATE APPLICATOR LOG SHEETS FOR APPLIED TERMINALS, WIRE RANGE AND MEMORY CHIP.
- <sup>16</sup> TERMINAL LUBRICANT IS RECOMMENDED.

\*WARNING  
ON INSTALLATION, SET WIRE DISC, ITEM 40 TO LARGEST WIRE SIZE SETTING. USE OF SETTINGS BELOW MINIMUM REQUIRED CRIMP HEIGHT SETTING WILL CAUSE DAMAGE TO CRIMP TOOLING.

-	-	1	1	1	1	1	2119791-9	DEPRESSOR, WIRE	265
-	-	-	1	-	-	-	2119957-2	APPLICATOR SHIM PACK	260
-	-	1	-	1	1	1	8-21084-0	O-RING, .676 ID, .070 DIA. MAT.	252
-	-	-	-	-	1	-	2119640-1	PUSH ROD, AIR FEED	250
-	-	-	-	-	1	-	2079988-1	BUSHING, LCH5-12, MISUMI	249
-78	-77	-7	-6	-5	-2	-1	PART NO	DESCRIPTION	ITEM NO

ATLANTIC VERSION  
Shown on sheets 1 of 4 & 2 of 4  
(Pacific version shown on sheets 3 of 4 & 4 of 4)

SET UP GAUGE 2119599-1				LOC A	DIST 66	REVISIONS			
P	LTM	DESCRIPTION	DATE	OWN	APVD				
A1		ECR-14-008401	04JUN2014	RK	GB				
B		ECR-14-009302	20JUN2014	JH	TE				
C		ECR-16-000528	13JAN2016	JH	GB				
C1		ECR-16-017522	12DEC2016	RS	LZ				

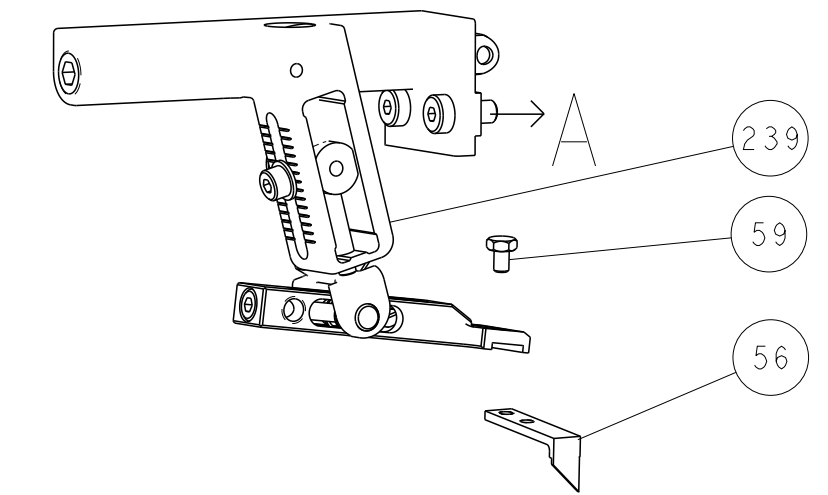
-	-	-	-	-	1	-	2119641-1	FEED CAM, AIR FEED	248
-	-	1	-	1	1	1	2119798-1	DETENT PIN	247
-	-	-	1	-	1	1	1-22279-3	SPRING, COMPRESSION	246
-	-	-	-	1	-	-	2119758-1	RAM, AMP STYLE, SIDE FEED, NON-ADJ.	245
-	-	1	1	1	1	1	2119082-9	CAM, SNAIL, INSULATION ADJUSTMENT	244
-	-	1	1	1	1	1	2079764-1	WASHER, WAVE SPRING, CREST-TO-CREST	243
-	-	1	1	1	1	1	2119083-1	RETAINER, INSULATION DIAL	242
-	-	1	1	1	1	1	7-18023-7	SCR, SKT HD CAP M3 X 4.0	241
-	-	-	2	2	-	-	2168400-6	SHCS, LOW HEAD, RoHS, M5 X 16	240
-	-	-	-	-	-	1	2119580-1	MECHANICAL FEED ASSEMBLY	239
-	-	-	-	-	-	1	2063440-1	AIR FEED MODULE	238
-	-	-	1	1	-	-	2119740-2	TAG, IDENTIFICATION	213
-	-	-	1	1	-	-	1901094-3	SPACER, FEEDER	198
-	-	-	-	-	2	-	21045-3	RING, RETAIN, EXTERN, 3/16 CRESCENT	172
-	-	1	1	1	1	1	994969-1	MAGNET, RARE EARTH HIGH ENERGY	166
-	-	REF	REF	REF	REF	REF	994970-2	COUNTER, MAGNETIC	164
-	-	-	-	-	-	1	240638-1	SPRING, FEED FINGER	163
-	-	-	-	-	-	1	3-23627-7	PIN, RETAIN, GRVD, 3/16 X .854	137
-	-	-	-	-	-	1	2119799-1	HOLDER, FEED FINGER, AF	136
-	-	-	REF	REF	-	-	SEE NOTE 4	MEMORY CHIP, PROGRAMMED	135
-	-	-	1	1	-	-	1633743-1	SERVO FEED LATCH ASM	133
-	-	1	1	1	1	1	1-18028-2	WASHER, FLAT, REG M4	119
-	-	-	REF	REF	-	-	2119944-1	FEED FINGER ASSEMBLY,SF	117
-	-	1	1	1	1	1	2119955-1	ASSY, LUBRICATOR, SIDE FEED	113
-	-	1	1	1	1	1	455888-5	SPACER, CRIMPER	82
1	-	-	-	-	-	-	2266124	PRINT, APPLICATOR LOG SHEET	72
-	-	1	1	1	1	1	2119956-1	DOCUMENTATION PACKAGE	71
-	-	1	1	1	1	1	2119791-9	DEPRESSOR, WIRE	70
-	-	1	-	-	1	1	2119740-1	TAG, IDENTIFICATION	67
-	-	2	2	2	2	2	2168078-1	SCREW, DRIVE, RH, RoHS, 2 x .188	66
-	-	1	-	1	1	1	2119793-1	LIMITER, ADJUSTMENT BOLT	63
-	-	3	-	3	3	3	992763-5	SCR, SET, SOC, CONE POINT, M3 x 4.0	62
-	-	1	1	1	1	1	2079383-4	SCR, BHSC, RoHS (M4 X 8)	60
-	-	-	-	-	1	1	5-18022-5	SCR, HEX HD CAP, M4 X 6.0	59
-	-	-	-	-	1	1	1338685-1	PAWL, FEED	56
-	-	4	4	4	4	4	2168400-1	SHCS, LOW HEAD, RoHS, M4 X 12	54
2	-	2	2	2	2	2	2168083-3	SCR, SKT HD CAP, RoHS, M4 X 12.0	53
-	-	1	1	1	1	1	5018030-1	NUT, HEX, REG, RoHS, M3	52
-	-	1	1	1	1	1	811242-5	BUMPER, HOLD DOWN	51
-	-	1	1	1	1	1	690753-2	SPACER, TONKER	50
-	-	-	-	-	-	1	18023-9	SCR, SKT HD CAP M4 X 6.0	49
-	-	-	-	-	-	1	2119652-1	FEED CAM, PRE FEED	48
-	-	-	-	-	-	1	2119653-1	FEED CAM, POST FEED	47
-	-	1	1	1	1	1	2119656-9	APPLICATOR BASIC ASSEMBLY, SF	46
-	-	1	-	1	1	1	2119370-1	RAM, AMP STYLE, SIDE FEED	44
-	-	1	1	1	1	1	2079383-7	SCR, BHSC, RoHS (M8 X 25)	41
-	-	1	-	1	1	1	2119645-1	DISC, NUMBERED FA WIRE ADJUSTMENT	40
-	-	1	-	1	1	1	2119957-1	APPLICATOR SHIM PACK	39
1	-	1	1	1	1	1	2119644-2	RAM WASHER, PRECISION	38
-	-	1	1	1	1	1	2119085-1	FA HEAD, ATLANTIC STYLE	37
-	-	1	-	1	1	1	2119092-1	BOLT, ADJUSTMENT	35
-	-	1	1	1	1	1	1752356-6	SUPPORT, TERMINAL	34
-	-	2	2	2	2	2	2079383-5	SCR, BHSC, RoHS (M4 X 20)	33
-	-	1	1	1	1	1	2161328-1	HEX HEAD, FLANGED, M5 x 8mm LONG	32
-	-	1	1	1	1	1	1-1320908-0	SPACER, STRIP GUIDE	30
-	-	1	1	1	1	1	2119959-1	ASSEMBLY, STRIP GUIDE	29
-	-	1	1	1	1	1	1320928-6	STRIP GUIDE	24
-	-	1	1	1	1	1	2168083-2	SCR, SKT HD CAP, RoHS, M4 X 8.0	21
-	-	1	1	1	1	1	1-18028-2	WASHER, FLAT, REG M4	20
-	-	1	1	1	1	1	2119533-1	STRIPPER, SIDE FEED	19
-	-	1	1	1	1	1	2119806-1	INSERT, SHEAR	13
-	-	1	1	1	1	1	3-22280-3	SPRING, COMPRESSION	12
-	-	1	1	1	1	1	1-356885-4	STOP, SHEAR	11
-	-	1	1	1	1	1	2119805-1	SHEAR HOLDER, FRONT	10
-	-	1	1	1	1	1	1803095-1	FLOATING SHEAR, FRONT	9
1	1	1	1	1	1	1	2-1803293-0	ANVIL, COMBINATION DEUTSCH STYLE	8
1	-	1	1	1	1	1	3-240641-7	SPACER	7
-	-	-	-	-	-	-	-	-	6
-	-	1	1	1	1	1	1-2119757-3	DEPRESSOR, SHEAR	5
1	-	1	1	1	1	1	238011-2	BLOCK, CRIMPER SPACER	4
1	1	1	1	1	1	1	2-1803019-6	CRIMPER, INSULATION O	3
-	-	1	1	1	1	1	455888-6	SPACER, CRIMPER	2
-	-	1	1	1	1	1	4-1633713-6	CRIMPER, WIRE PREMIUM	1

DIMENSIONS:		TOLERANCES UNLESS OTHERWISE SPECIFIED:		DRAWING NO.		RESTRICTED TO	
mm	in	0 PLC	±	SIZE	CAGE CODE	DRAWING NO.	REVISION
		1 PLC	±	A1	00779	2266124	1
		2 PLC	±	Customer Accessible Production Drawing			
		3 PLC	±	SCALE 1:2 SHEET 1 OF 4 REV C1			
		4 PLC	±				
		ANGLES	±				
		FINISH	±				

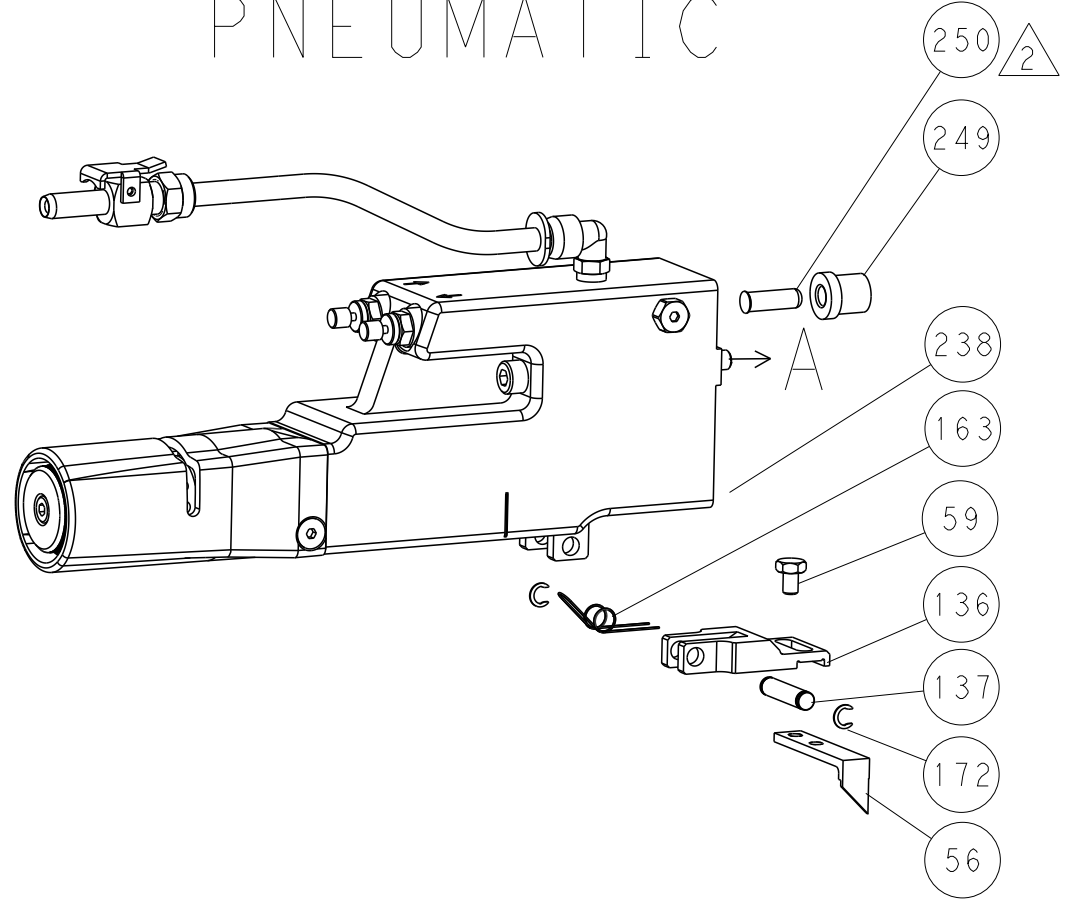
Customer Accessible Production Drawing

LOC	DIST	REVISIONS					
A	66	P	LTN	DESCRIPTION	DATE	OWN	APVD
		-		SEE SHEET 1			

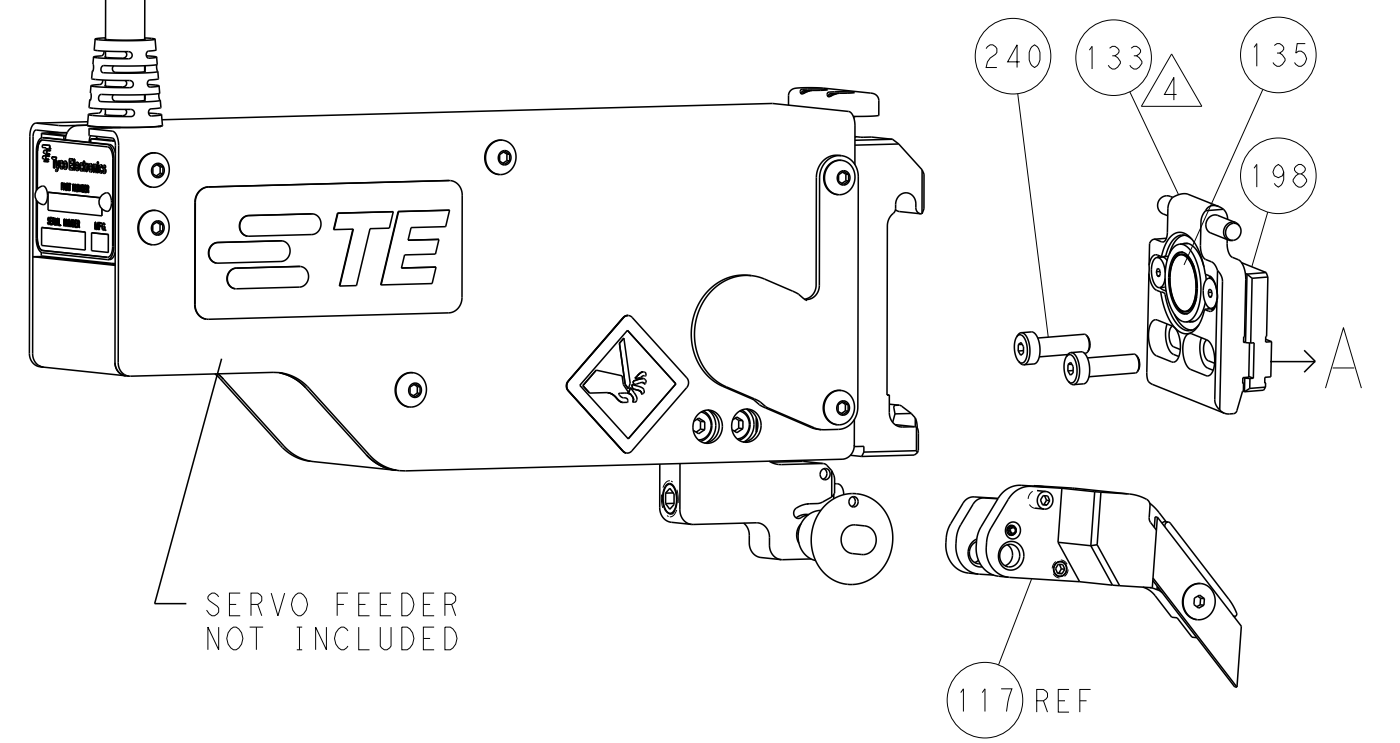
### FEED TYPE MECHANICAL



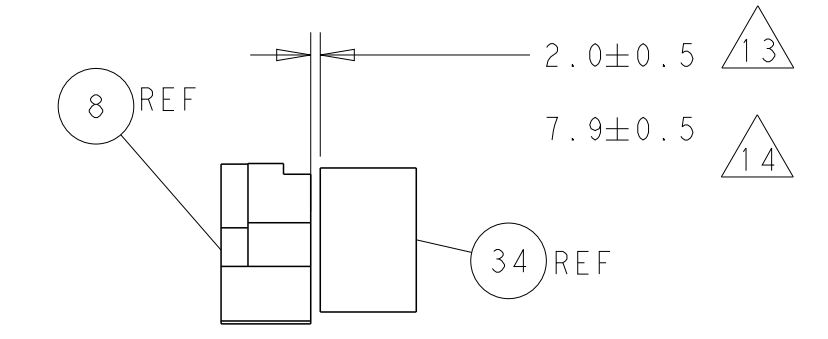
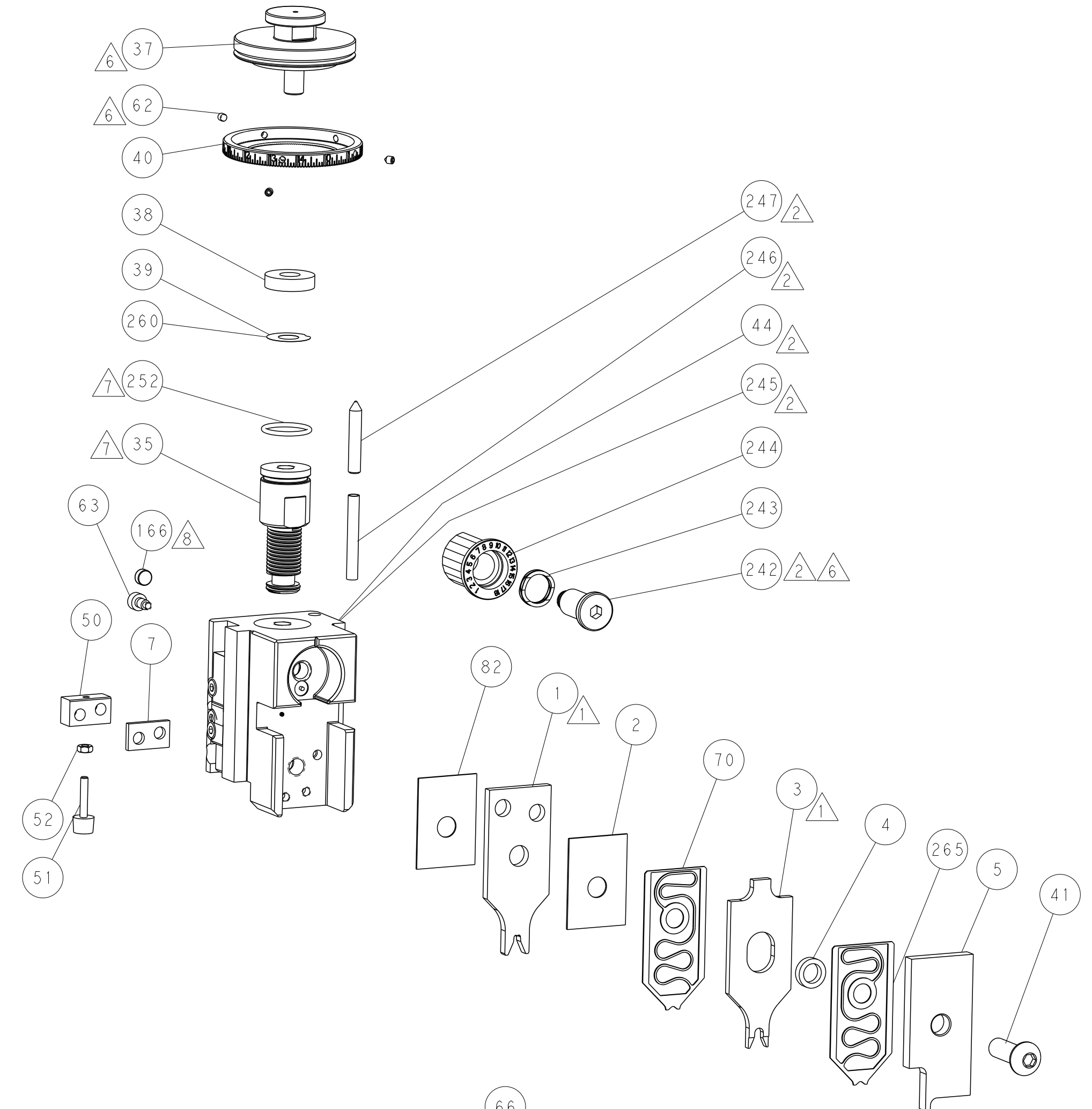
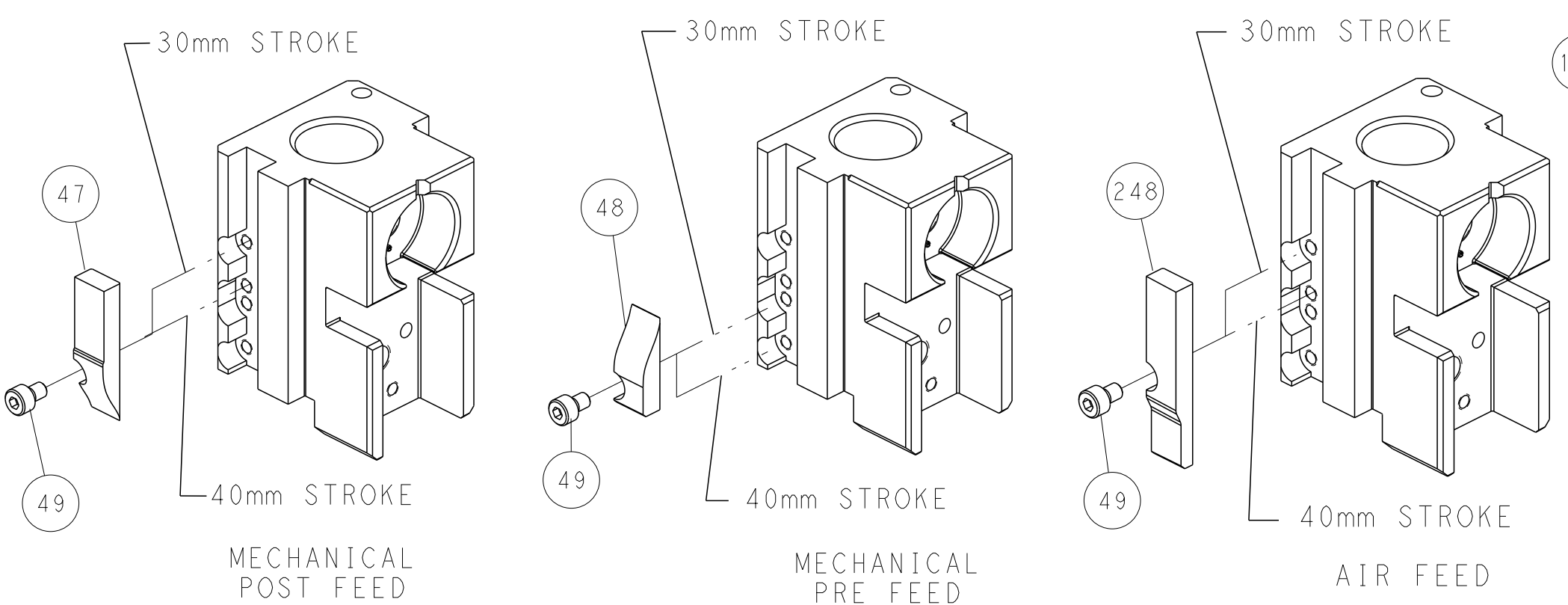
### PNEUMATIC



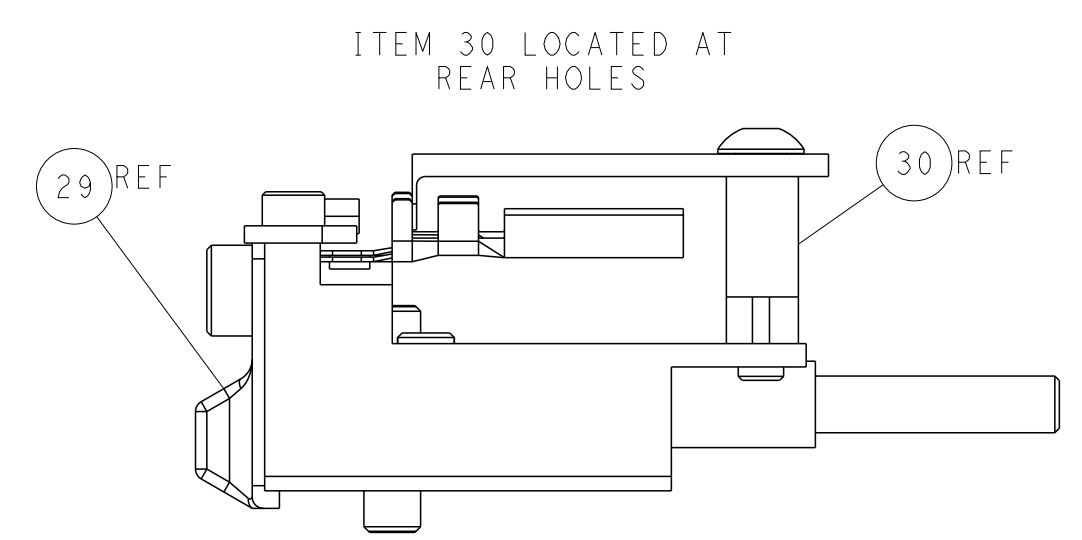
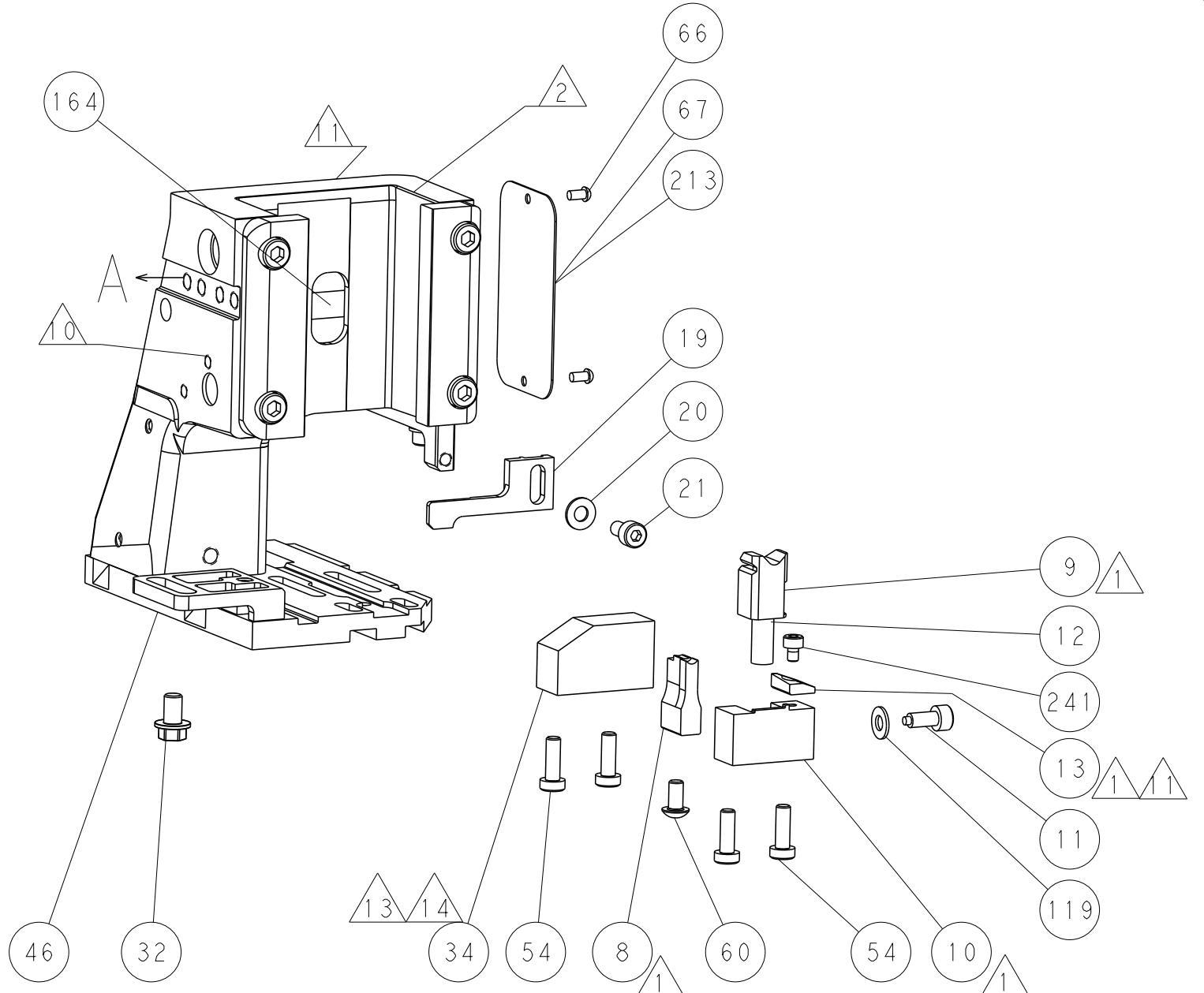
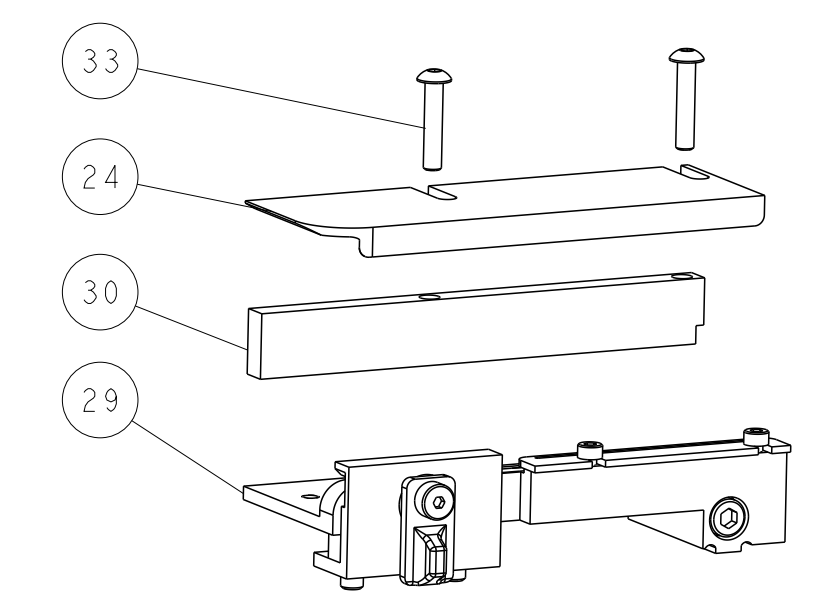
### SERVO LATCH PLATE



### CAM POSITIONS



TERMINAL SUPPORT LOCATION



ITEM 30 LOCATED AT REAR HOLES

FEED TRACK POSITION GUIDE BY INSULATION BARREL

**ATLANTIC VERSION**  
 Shown on sheets 1 of 4 & 2 of 4  
 (Pacific version shown on sheets 3 of 4 & 4 of 4)

<small>THIS DRAWING IS UNPUBLISHED. RELEASED FOR PUBLICATION BY TYCO ELECTRONICS CORPORATION. ALL RIGHTS RESERVED.</small>		DWN R. KNEPPER 21-Oct-13 CHK G. BAILEY 21-Oct-13 APVD M. CLIFFORD 21-Oct-13	TE Connectivity Harrisburg, PA 17105-3608
DIMENSIONS: mm TOLERANCES UNLESS OTHERWISE SPECIFIED: 0 PLC ± 1 PLC ± 2 PLC ± 3 PLC ± 4 PLC ± ANGLES ° ±		NAME Ocean Side Feed Applicator SIZE CAGE CODE DRAWING NO. RESTRICTED TO A1 00779 C=2266124	WEIGHT SCALE 1:2 SHEET 2 OF 4 REV C1
MATERIAL FINISH		Customer Accessible Production Drawing	

PACIFIC VERSION TERMINATOR INTERFACE ADAPTER	PART NUMBER	REVISION	DESCRIPTION	FEED TYPE	APPLICATOR STYLE CONVERSION CHART						
					CONVERT TO	PART NUMBERS REQUIRED					
	2-2266124-1	C	FINE CRIMP HEIGHT ADJUST	MECHANICAL	PNEUMATIC FEED	2119950-1	1338685-1	5-18022-5	2119641-2	2119799-1	2063440-1
					SERVO LATCH PLATE	2119951-1	-	8-2266124-5	1901094-3	-	2168400-6 (QUANTITY 2)
	2-2266124-2	C	FINE CRIMP HEIGHT ADJUST	PNEUMATIC	MECHANICAL FEED	2119949-1	1338685-1	5-18022-5	2119653-2	-	-
					SERVO LATCH PLATE	2119951-1	-	8-2266124-5	1901094-3	-	2168400-6 (QUANTITY 2)
	2-2266124-5	C	FINE CRIMP HEIGHT ADJUST	SERVO LATCH PLATE	MECHANICAL FEED	2119949-1	1338685-1	5-18022-5	2119653-2	-	-
					PNEUMATIC FEED	2119950-1	1338685-1	5-18022-5	2119641-2	2119799-1	2063440-1
	2-2266124-7	C	FINE CRIMP HEIGHT ADJUST	NONE	-	-	-	-	-	-	-
	7-2266124-7	C	CRIMP TOOLING KIT	-	-	-	-	-	-	-	-
7-2266124-8	C	APPLICATOR CONVERSION KIT	-	-	-	-	-	-	-	-	

APPLICATOR DATA		
CRIMP	SIZE	TYPE
WIRE	2.97 mm [.117]	F
INSUL	3.96 mm [.156]	O
APPLICATOR INSTRUCTIONS 408-10389		

APPLICATOR CONVERSION KITS	
PART NUMBER	INSULATION DIAMETER RANGE
7-2266124-8	Ø3.83-4.47mm [.151-.176]
7-2266125-8	Ø3.28-3.81mm [.129-.150]
7-2266126-8	Ø2.87-3.25mm [.113-.128]

TERMINAL DATA: DEUTSCH TERMINAL DEUTSCH CRIMP SPECIFICATION			
TERMINAL NAME: STAMPED CONTACT PIN SIZE 12			
WIRE STRIP LENGTH		INSULATION DIAMETER RANGE	
5.71-6.99 mm [.225-.275 IN]		Ø3.83-4.47 mm [.151-.176 IN]	
TERMINAL APPLICATION SPECIFICATION	0425-208-0000 Rev G	-	-
TERMINALS APPLIED			
TE TERMINAL	DEUTSCH TERMINAL	TE TERMINAL	DEUTSCH TERMINAL
1572028-2	1060-12-0144	1572028-1	1060-12-0166

TERMINAL DATA: DEUTSCH TERMINAL DEUTSCH CRIMP SPECIFICATION			
TERMINAL NAME: STAMPED CONTACT SOCKET SIZE 12			
WIRE STRIP LENGTH		INSULATION DIAMETER RANGE	
5.71-6.99 mm [.225-.275 IN]		Ø3.83-4.47 mm [.151-.176 IN]	
TERMINAL APPLICATION SPECIFICATION	0425-208-0000 Rev G	-	-
TERMINALS APPLIED			
TE TERMINAL	DEUTSCH TERMINAL	TE TERMINAL	DEUTSCH TERMINAL
286955-2	1062-12-0144	286955-1	1062-12-0166

WIRE SIZE	CRIMP HEIGHT mm [INCH]	CRIMP HEIGHT REFERENCE SETTING
4.00mm2	2.24+0.03/-0.05 [.088+.001/-.002]	4.9
12 AWG	2.03+0.03/-0.05 [.080+.001/-.002]	7.2
3.00mm2	2.03+0.03/-0.05 [.080+.001/-.002]	7.4
2.50mm2	1.88+0.03/-0.05 [.074+.001/-.002]	8.3
14 AWG	1.78+0.03/-0.05 [.070+.001/-.002]	9.7
2.00mm2	1.78+0.03/-0.05 [.070+.001/-.002]	9.7

- RECOMMENDED SPARE PARTS
- GREASE BEARING SURFACES LIGHTLY
- 3. LUBRICATE DAILY PER THE APPLICATOR INSTRUCTION SHEET SUPPLIED WITH THE APPLICATOR.
- APPLICATOR SPECIFIC DATA TO BE ENTERED INTO BLANK MEMORY CHIP AT ASSEMBLY. SEE BELOW FOR PART NUMBER:  
 MECHANICAL FEED WITH "SMART APPLICATOR" CONVERSION: 8-2266124-4  
 PNEUMATIC FEED WITH "SMART APPLICATOR" CONVERSION: 8-2266124-4  
 SERVO FEED WITH "FINE CRIMP HEIGHT ADJUST": 8-2266124-5
- 5. ADJUSTMENT OF THE STRIPPER MAY BE REQUIRED WHEN MOVING THE APPLICATOR BETWEEN BENCH AND LEADMAKER APPLICATIONS.
- APPLY PART NUMBER 1-23419-5 LOCTITE TO THREADS OF ITEMS 62.  
 APPLY PART NUMBER 2-23419-6 LOCTITE TO THREADS OF ITEMS 242.
- GREASE THREADS, GROOVE AND O-RING ON ITEMS 139 & 152.
- MAGNET MUST BE ORIENTED CORRECTLY IN ORDER TO PROPERLY ACTUATE THE COUNTER.
- CRIMP HEIGHT REFERENCE SETTING WAS THE SETTING USED WHEN THE APPLICATOR WAS QUALIFIED AT THE FACTORY. ADJUSTMENT MAY BE NECESSARY WHEN RUNNING APPLICATOR IN THE FIELD.
- SPARE FEED CAM STORAGE LOCATION REFER TO INSTRUCTION SHEET FOR ADDITIONAL INFORMATION.
- TO CONVERT THE APPLICATOR TO A NON-CARRIER CUTTING STYLE, REMOVE ITEM 13 AND ATTACH TO THE LOCATION ON BACK SIDE OF THE HOUSING. REFER TO INSTRUCTION SHEET FOR ADDITIONAL INFORMATION.
- DIMENSION 2.0±0.5 APPLIES TO PIN TERMINALS 1060-12-01XX.
- DIMENSION 7.9±0.5 APPLIES TO SOCKET TERMINALS 1062-12-01XX.
- SEE APPROPRIATE APPLICATOR LOG SHEETS FOR APPLIED TERMINALS, WIRE RANGE AND MEMORY CHIP.
- TERMINAL LUBRICANT IS RECOMMENDED.

**\*WARNING**  
 ON INSTALLATION, SET WIRE DISC, ITEM 40 TO LARGEST WIRE SIZE SETTING. USE OF SETTINGS BELOW MINIMUM REQUIRED CRIMP HEIGHT SETTING WILL CAUSE DAMAGE TO CRIMP TOOLING.

-	-	1	1	1	1	2119791-9	DEPRESSOR, WIRE	265
-	-	1	1	1	1	2119782-1	FINE ADJUST HEAD ASM, PACIFIC STYLE	251
-	-	-	-	1	-	2119640-1	PUSH ROD, AIR FEED	250
-78	-77	-27	-25	-22	-21	PART NO	DESCRIPTION	ITEM NO

**PACIFIC VERSION**  
 Shown on sheets 3 of 4 & 4 of 4  
 (Atlantic version shown on sheets 1 of 4 & 2 of 4)

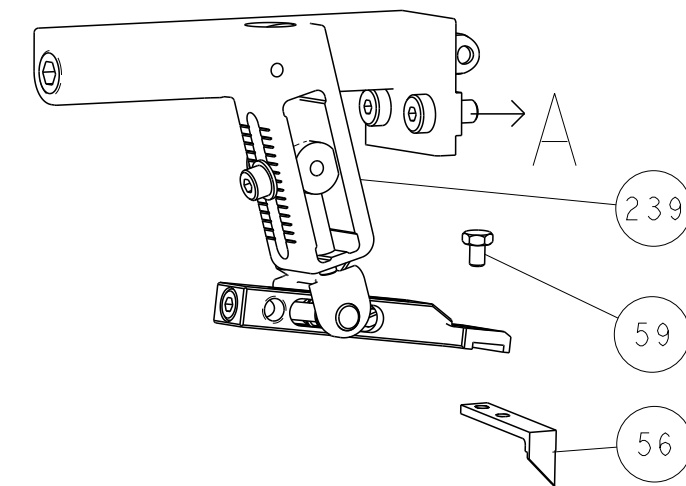
SET UP GAUGE	LOC	DIST	REVISIONS					
2119599-1	A	66	P	LTN	DESCRIPTION	DATE	OWN	APVD
-	-	-	-	-	SEE SHEET 1	-	-	-

-	-	-	-	1	-	2079988-1	BUSHING, LCH5-12, MISUMI	249	
-	-	1	1	1	1	1-22279-3	SPRING, COMPRESSION	246	
-	-	1	1	1	1	2119082-9	CAM, SNAIL, INSULATION ADJUSTMENT	244	
-	-	1	1	1	1	2079764-1	WASHER, WAVE SPRING, CREST-TO-CREST	243	
-	-	1	1	1	1	2119083-1	RETAINER, INSULATION DIAL	242	
-	-	1	1	1	1	7-18023-7	SCR, SKT HD CAP M3 X 4.0	241	
-	-	-	2	-	-	2168400-6	SHCS, LOW HEAD, RoHS, M5 X 16	240	
-	-	-	-	-	1	2119580-1	MECHANICAL FEED ASSEMBLY	239	
-	-	-	-	1	-	2063440-1	AIR FEED MODULE	238	
-	-	-	1	-	-	2119740-2	TAG, IDENTIFICATION	213	
-	-	-	1	-	-	1901094-3	SPACER, FEEDER	198	
-	-	-	-	2	-	21045-3	RING, RETAIN, EXTERN, 3/16 CRESCENT	172	
-	-	1	1	1	1	994969-1	MAGNET, RARE EARTH HIGH ENERGY	166	
-	-	REF	REF	REF	REF	994970-2	COUNTER, MAGNETIC	164	
-	-	-	-	1	-	240638-1	SPRING, FEED FINGER	163	
-	-	1	1	1	1	8-21084-1	O-RING, .801 ID, .070 DIA. MAT.	152	
-	-	-	-	1	-	2119641-2	FEED CAM, AIR FEED	151	
-	-	1	1	1	1	2119798-2	DETENT PIN	145	
-	-	1	1	1	1	2079383-8	SCR, BHSC, RoHS (M4 X 16)	144	
-	-	4	4	4	4	2168400-5	SHCS, LOW HEAD, RoHS, M4 X 20	143	
-	-	-	-	-	1	2119653-2	FEED CAM, POST FEED	142	
-	-	1	1	1	1	1-2119656-0	APPLICATOR BASIC ASSEMBLY, SF	141	
-	-	1	1	1	1	2119650-1	RAM, ASIAN STYLE, SIDE FEED	140	
-	-	1	1	1	1	2119092-2	BOLT, ADJUSTMENT	139	
-	-	-	-	1	-	3-23627-7	PIN, RETAIN, GRVD, 3/16 X .854	137	
-	-	-	-	1	-	2119799-1	HOLDER, FEED FINGER, AF	136	
-	-	-	-	REF	-	-	SEE NOTE 4	MEMORY CHIP, PROGRAMMED	135
-	-	-	-	1	-	1633743-1	SERVO FEED LATCH ASM	133	
-	-	1	1	1	1	1-18028-2	WASHER, FLAT, REG M4	119	
-	-	-	-	REF	-	-	-	FEED FINGER ASSEMBLY, SF	117
-	-	1	1	1	1	2119955-1	ASSY, LUBRICATOR, SIDE FEED	113	
-	-	1	1	1	1	455888-5	SPACER, CRIMPER	82	
1	-	-	-	-	-	2266124	PRINT, APPLICATOR LOG SHEET	72	
-	-	1	1	1	1	2119956-1	DOCUMENTATION PACKAGE	71	
-	-	1	1	1	1	2119791-9	DEPRESSOR, WIRE	70	
-	-	1	-	1	1	2119740-1	TAG, IDENTIFICATION	67	
-	-	2	2	2	2	2168078-1	SCREW, DRIVE, RH, RoHS, 2 x .188	66	
-	-	1	1	1	1	2119793-1	LIMITER, ADJUSTMENT BOLT	63	
-	-	3	3	3	3	992763-5	SCR, SET, SOC, CONE POINT, M3 X 4.0	62	
-	-	-	-	1	1	5-18022-5	SCR, HEX HD CAP, M4 X 6.0	59	
-	-	-	-	1	1	1338685-1	PAWL, FEED	56	
2	-	2	2	2	2	2168083-3	SCR, SKT HD CAP, RoHS, M4 X 12.0	53	
-	-	1	1	1	1	5018030-1	NUT, HEX, REG, RoHS, M3	52	
-	-	1	1	1	1	811242-5	BUMPER, HOLD DOWN	51	
-	-	1	1	1	1	690753-2	SPACER, TONKER	50	
-	-	-	-	1	2	18023-9	SCR, SKT HD CAP M4 X 6.0	49	
-	-	-	-	-	1	2119652-1	FEED CAM, PRE FEED	48	
-	-	1	1	1	1	2079383-7	SCR, BHSC, RoHS (M8 X 25)	41	
-	-	1	1	1	1	2119645-1	DISC, NUMBERED FA WIRE ADJUSTMENT	40	
-	-	1	1	1	1	2119957-1	APPLICATOR SHIM PACK	39	
1	-	1	1	1	1	2119644-2	RAM WASHER, PRECISION	38	
-	-	1	1	1	1	1752356-6	SUPPORT, TERMINAL	34	
-	-	2	2	2	2	2079383-5	SCR, BHSC, RoHS (M4 X 20)	33	
-	-	1	1	1	1	2161328-1	HEX HEAD, FLANGED, M5 X 8mm LONG	32	
-	-	1	1	1	1	1-1320908-0	SPACER, STRIP GUIDE	30	
-	-	1	1	1	1	2119959-1	ASSEMBLY, STRIP GUIDE	29	
-	-	1	1	1	1	1320928-6	STRIP GUIDE	24	
-	-	1	1	1	1	2168083-2	SCR, SKT HD CAP, RoHS, M4 X 8.0	21	
-	-	1	1	1	1	1-18028-2	WASHER, FLAT, REG M4	20	
-	-	1	1	1	1	2119533-1	STRIPPER, SIDE FEED	19	
-	-	1	1	1	1	2119806-1	INSERT, SHEAR	13	
-	-	1	1	1	1	3-22280-3	SPRING, COMPRESSION	12	
-	-	1	1	1	1	1-356885-4	STOP, SHEAR	11	
-	-	1	1	1	1	2119805-1	SHEAR HOLDER, FRONT	10	
-	-	1	1	1	1	1803095-1	FLOATING SHEAR, FRONT	9	
1	1	1	1	1	1	2-1803293-0	ANVIL, COMBINATION DEUTSCH STYLE	8	
1	-	1	1	1	1	3-240641-7	SPACER	7	
-	-	-	-	-	-	-	-	6	
-	-	1	1	1	1	1-2119757-3	DEPRESSOR, SHEAR	5	
1	-	1	1	1	1	238011-2	BLOCK, CRIMPER SPACER	4	
-	-	1	1	1	1	2-1803019-6	CRIMPER, INSULATION O	3	
-	-	1	1	1	1	455888-6	SPACER, CRIMPER	2	
-	-	1	1	1	1	4-1633713-6	CRIMPER, WIRE PREMIUM	1	
-78	-77	-27	-25	-22	-21	PART NO	DESCRIPTION	ITEM NO	

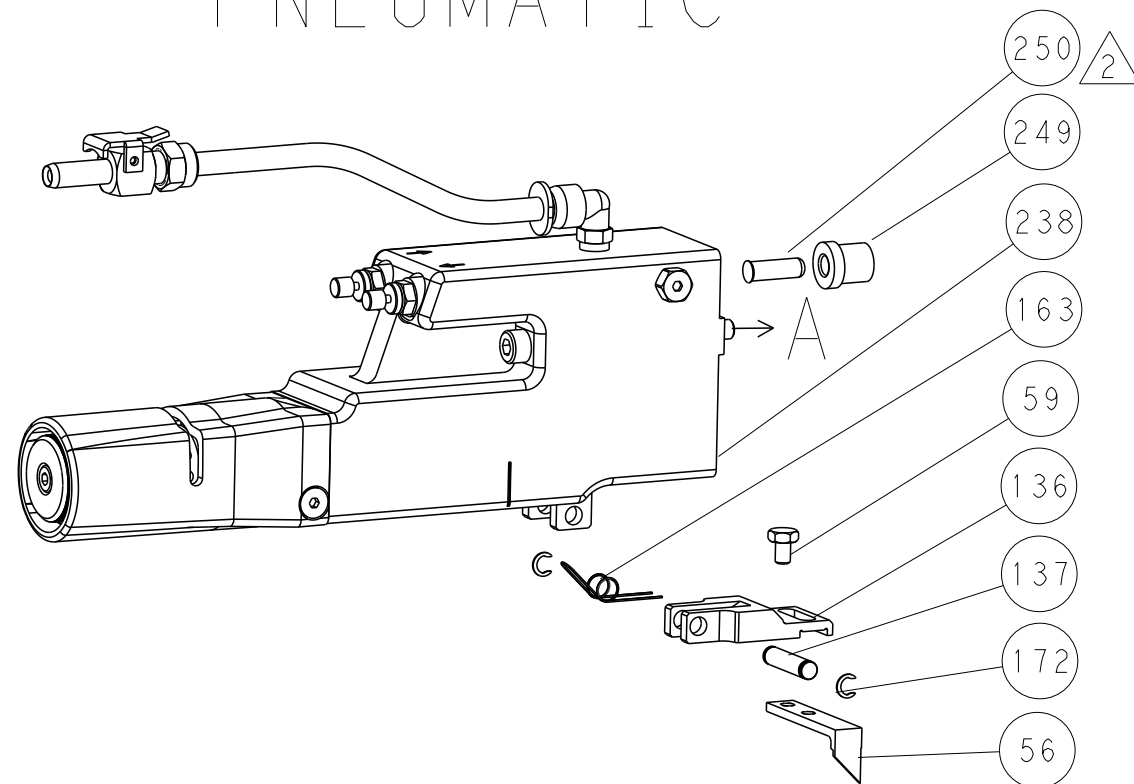
DIMENSIONS:		TOLERANCES UNLESS OTHERWISE SPECIFIED:		APPROVED:		NAME:	
mm	0 PLC ±	1 PLC ±	2 PLC ±	3 PLC ±	4 PLC ±	ANGLES ±	FINISH
MATERIAL:							
Customer Accessible Production Drawing				SCALE	SHEET	OF	REV
				1:2	3	4	C1

LOC		DIST		REVISIONS			
A	66	P	LTH	DESCRIPTION	DATE	OWN	APVD
-	-	-	-	SEE SHEET 1	-	-	-

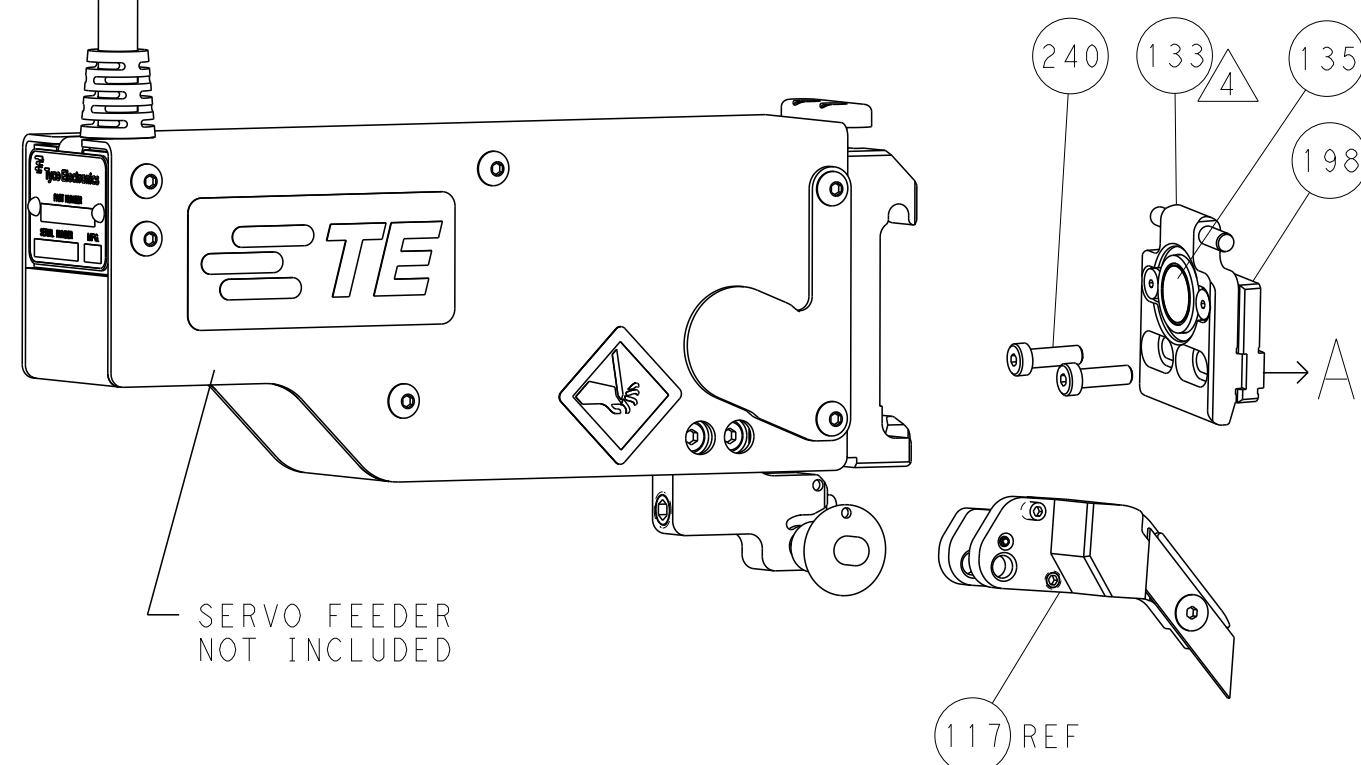
# FEED TYPE MECHANICAL



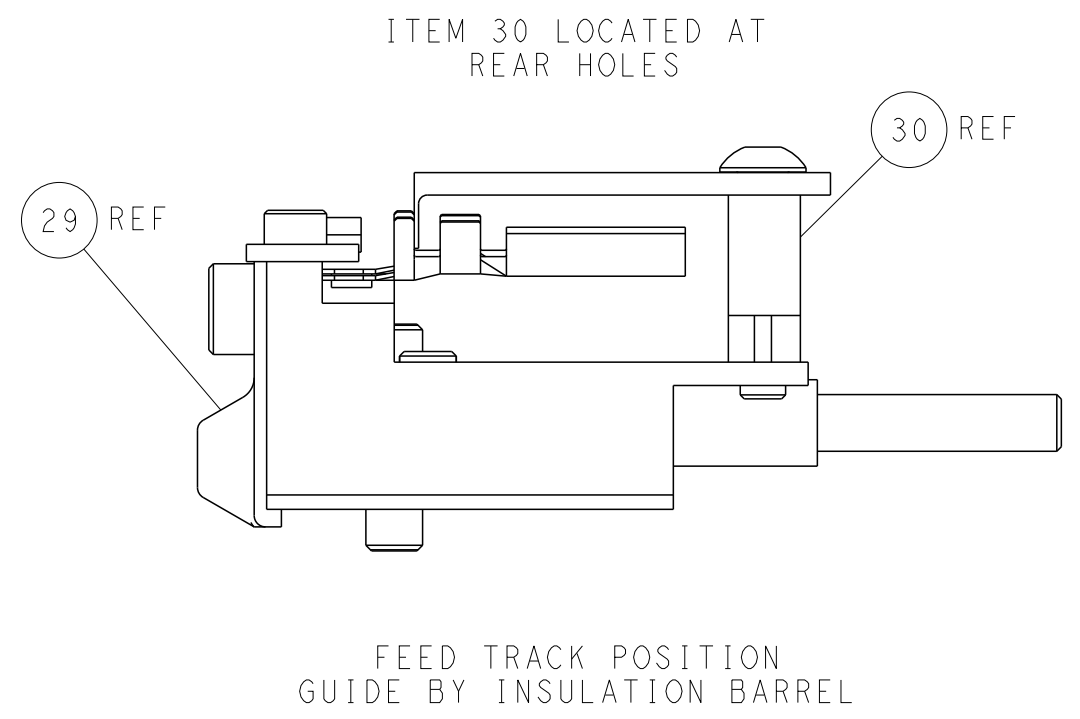
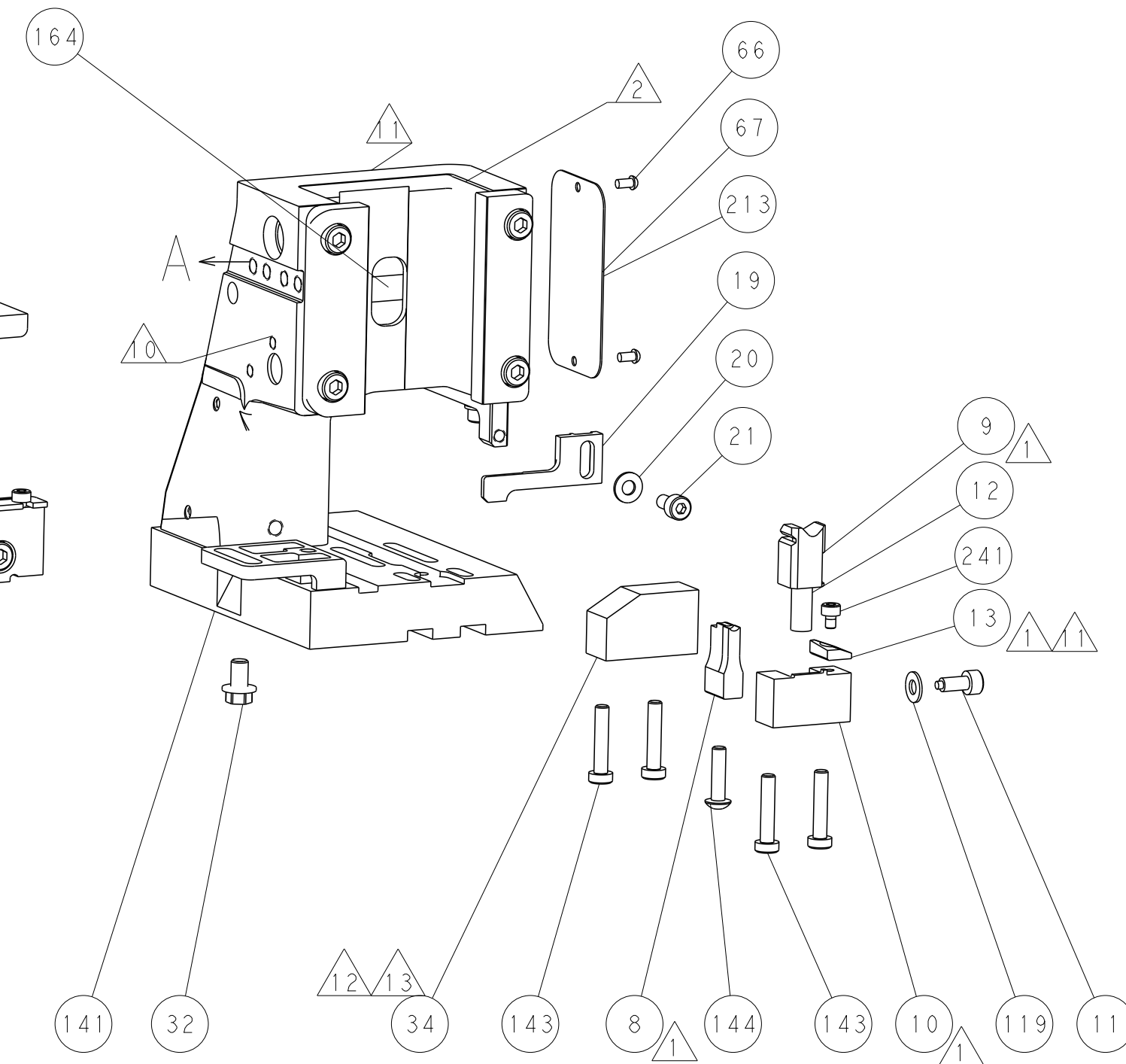
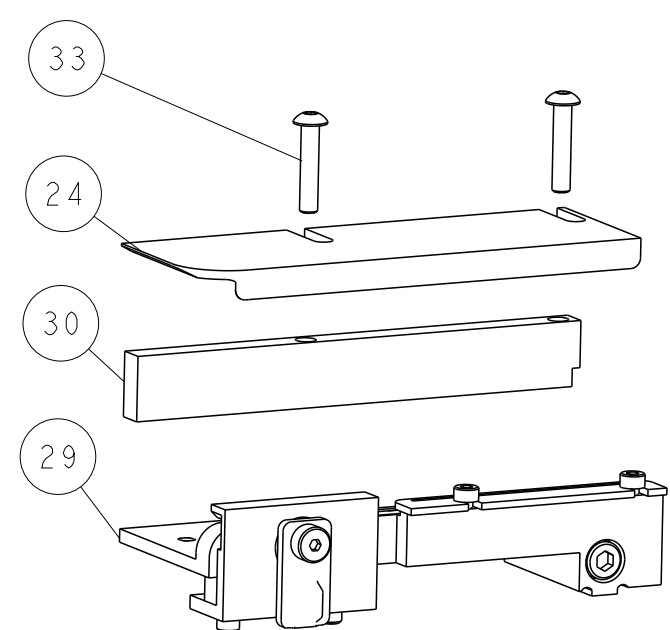
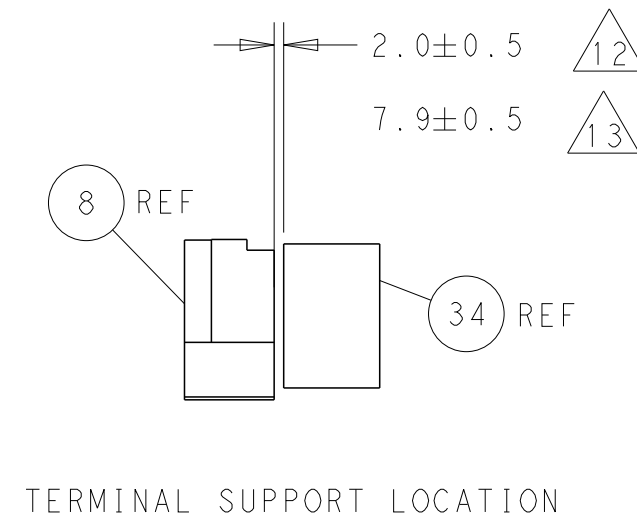
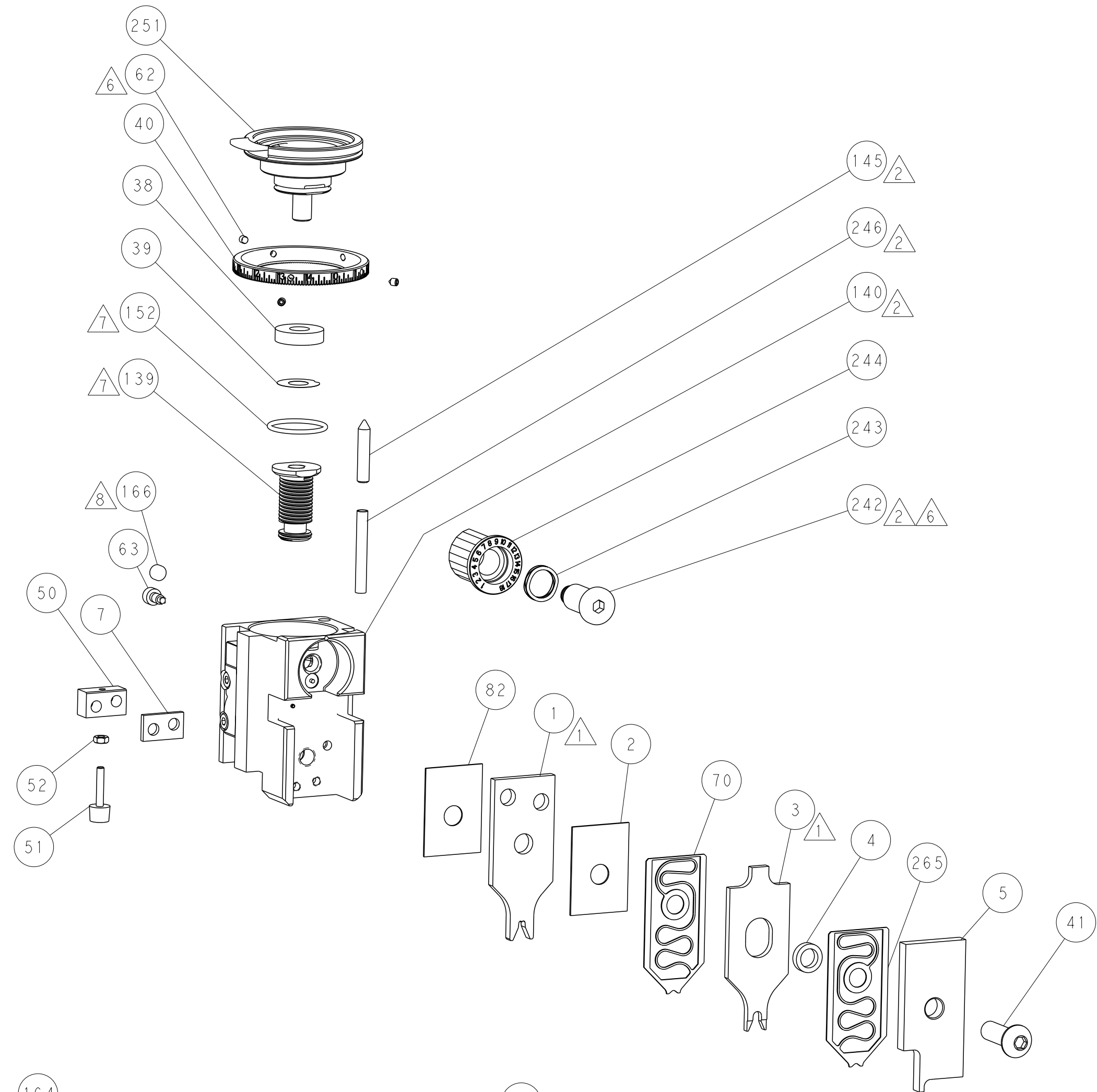
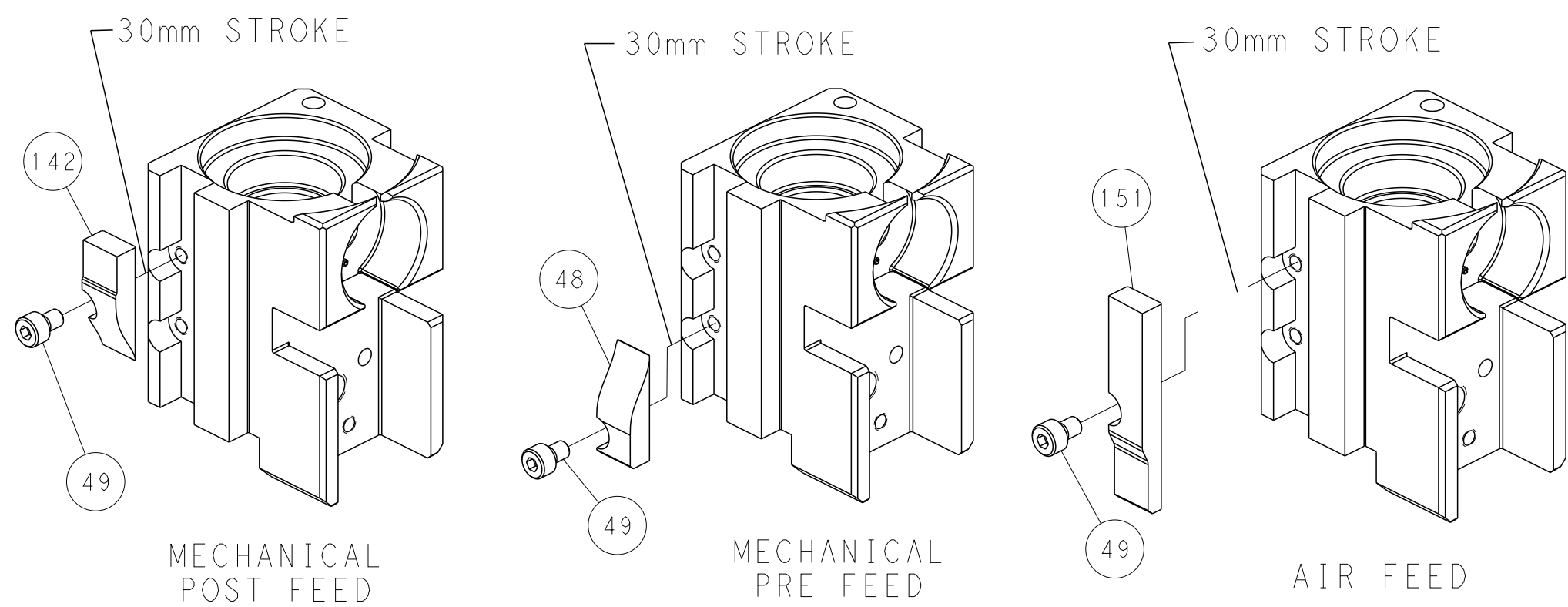
# PNEUMATIC



# SERVO LATCH PLATE



# CAM POSITIONS



**PACIFIC VERSION**  
 Shown on sheets 3 of 4 & 4 of 4  
 (Atlantic version shown on sheets 1 of 4 & 2 of 4)

DIMENSIONS:		TOLERANCES UNLESS OTHERWISE SPECIFIED:		DWG: R. KNEPPER 21-Oct-13		NAME: TE Connectivity	
mm	0 PLC ±	1 PLC ±	2 PLC ±	3 PLC ±	4 PLC ±	5 PLC ±	Harrisburg, PA 17105-3608
MATERIAL:		FINISH:		CHK: G. BAILEY 21-Oct-13		APVD: M. CLIFFORD 21-Oct-13	
-		-		PRODUCT SPEC:		APPLICATION SPEC:	
-		-		WEIGHT:		SIZE: CAGE CODE: DRAWING NO:	
-		-		A   00779		C=2266124	
-		-		Customer Accessible Production Drawing		SCALE: 1:2 SHEET 4 OF 4 REV: C1	