

IEC Appliance Inlet C18, Screw-on Mounting, Front or Rear Side, Solder or Quick-connect Terminal



6102-3

C18



70° C

**Description**

- Panel Mount:
 - Screw-on mounting from front or rear-side
- Appliance Inlet, Pin temperature 70 °C, Protection class II
- Solder terminals or quick connect terminals
- Alternative: Version in protection class I 6100-3

Approvals

- VDE License Number: 40015595
- UL License Number: E96454

Other versions on request

- Types for rivet mounting available upon request
- Sealing (IP54) of appliance and power input
- Types for enhanced glow wire test requirements acc. IEC 60695-2-11 to -13 for the use in unattended household equipment acc. IEC 60335-1

References

[General Product Information](#)

Weblinks

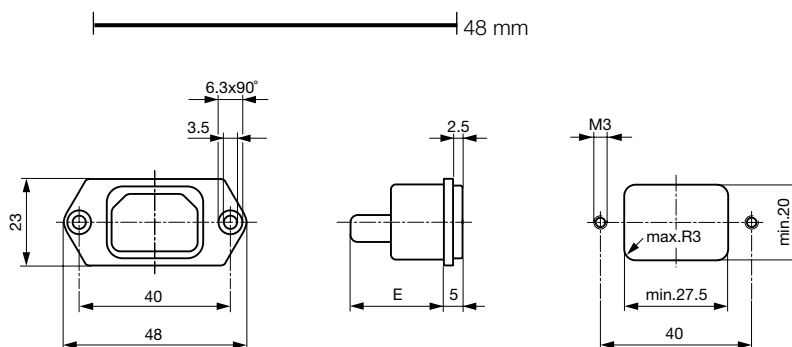
[Approvals](#), [RoHS](#), [CHINA-RoHS](#), [Mating Connectors](#), [e-Store](#), [Distributor-Stock-Check](#), [Accessories](#)

Technical Data

Ratings IEC	10A / 250VAC; 50Hz	Appliance Inlet	C18 acc. to IEC/EN 60320-1, UL 498, CSA C22.2 no. 42 (for cold conditions) pin-temperature 70 °C, 10A, Protection Class 2
Ratings UL/CSA	15A / 250VAC; 60Hz		
Dielectric Strength	> 2kVAC between L-N (1 min/50Hz)		
Allowable Operation Temp.	-25 °C to 70 °C		
Degree of Protection	from front side IP 40 acc. to IEC 60529		
Protection Class	Suitable for appliances with protection class 2 acc. to IEC 61140		
Terminal	Solder terminals or quick connect terminals		
Panel Thickness s	Screw: max 8 mm Mounting screw torque max 0.5Nm		
Material: Housing	Thermoplastic, black, UL 94V-0		

Dimensions

6100-3 (6102-3)



E: Solder terminals 20.5 mm

E: Quick connect terminals 23.5 mm

Variants

Type	Protection Class	Panel mounting	Panel Thickness s [mm]	Terminal	Order Number
6102-3	2	Screw	-	Quick connect terminals 4.8 x 0.8 mm	6102.3200
6102-3	2	Screw	-	Quick connect terminals 6.3 x 0.8 mm	6102.3300
6102-3	2	Screw	-	Solder terminals 3.8 x 0.8 mm	6102.3100

Option with IP54 sealing protects from entering fluids and dust into the appliance and the power input. This option can be ordered with ending ".30" (61xx.xxx.30).

The sealing to the appliance on its own (no protection of power input) is available as accessory (sealing kit).

Articles for enhanced glow wire test requirements acc. IEC 60695-2-11 to -13 can be ordered with ending ".15" (xxxx.xxx.15). They are suitable for the use in unattended household equipment acc. IEC 60335-1.

Packaging unit

50 Pcs

Accessories

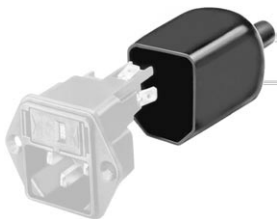
Description



Sealing Kit
Sealing for Appliance Inlets

IP 54

0098.0103



Assorted Covers
Rear Cover

0859.0048

4311.9401

4311.9402

4311.9404



Cord retaining kits
Cord retaining strain relief

Flat head, A

4700.0001

Mating Outlets/Connectors

Category / Description

Connector Overview complete



IEC Connector C15, Rewireable, Straight

0101

IEC Connector C15A, Rewireable, Straight

0102

IEC Connector C15A, Rewireable, Straight

0102-G

IEC Connector C15A, Rewireable, Angled

0112

IEC Connector C13, Rewireable, Angled

4012

Connector further types to 6102-3

...

Power Cord Overview complete



Power Cord with IEC Connector C17, Angled

0301

Power Cord with IEC Connector C13, Angled

0311

Power Cord with IEC Connector C13, Angled

3011

Power Cord with IEC Connector C13, Angled

3012

Power Cord with IEC Connector C13, Angled

3013

Power Cord further types to 6102-3

...

Category / Description

[Power Supply or Interconnection Cord Overview complete](#)

[Divers Power Supply and Interconnection Cords 10 A](#)

[Kabelverbindung/10 A](#)

[Power Supply or Interconnection Cord further types to 6102-3](#)
