

FCX - A SERIES SMALL FLANGE LEVEL TRANSMITTER

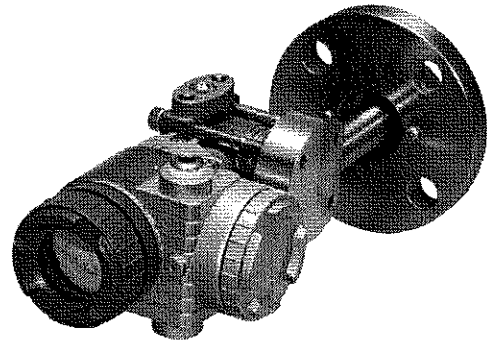
DATA SHEET

FHY, FKY...2

The FCX -A Series small flange level transmitter accurately measures liquid level and transmits a proportional 4 to 20mA signal. The transmitter utilizes a unique micromachined capacitive silicon sensor with state-of-the-art microprocessor technology to provide exceptional performance and functionality.

FEATURES

- 1. Directly connectable to 1-1/2 in. and 2 in. flanges**
The transmitter is connectable to 1-1/2 in. and 2 in. pipes without a reducer.
- 2. Minimum environmental influence**
The "Advanced Floating Cell" design which protects the pressure sensor against changes in temperature, static pressure, and overpressure substantially reduces total measurement error in actual field applications.
- 3. Smart / Traditional convertible**
Fuji micro-electronics manufacturing technology offers free selection of Smart / Traditional transmitters. A small plug-in communication module upgrades your model FHY to smart type model FKY, which has full remote communication capabilities. A Hand Held Communicator (HHC), model FXW can remotely display or reconfigure all transmitter parameters at any point on the loop without affecting the transmitter signal.
- 4. Fuji/HART bilingual communication module**
The communication module is "bilingual" to speak both Fuji proprietary protocol and HART. Any HART compatible devices can communicate with FCX-A/C series transmitters.
- 5. Application flexibility**
Example options that render the FCX -A suitable for almost any process applications includes:
 - Analog indicator at either the electronics side or terminal side
 - Full range of hazardous area approvals
 - Built-in RFI filter and lightning arrester
 - 4½ digits LCD meter
 - Stainless steel electronics housing
 - Wide selection of materials
 - High temperature, vacuum service.



SPECIFICATIONS

Functional specifications

Type:
Model FHY: 4 to 20mA, Traditional type
Model FKY: 4 to 20mA with digital signal, Smart type

Service: Liquid, gas, or vapour

Static pressure, span, and range limit:

Type	Static pressure	Span limit [kPa] (m bar)			Range limit [kPa] (m bar)
		Min.		Max.	
		FHY	FKY	FHY/FKY	
FCY□□5	Up to flange rating	13	3	130	+/- 130
		(130)	(30)	(1300)	{ +/- 1300}
FCY□□6	Up to flange rating	50	12.5	500	+/- 500
		(500)	(125)	(5000)	{ +/- 5000}

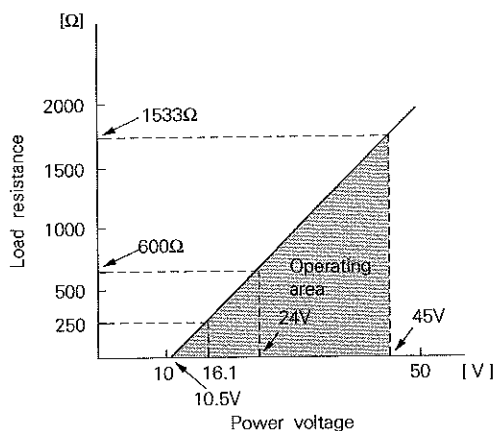
- Lower limit of static pressure (vacuum limit) ;
Silicone fill sensor: See Fig . 1
Fluorinated fill sensor: 66kPa abs (500mmHg abs) at temperature below 60 °C.
- The maximum span of each sensor can be converted to different units using factors as below.
1MPa=10³kPa=10bar=10.19716kgf/cm²=145.0377psi
1kPa=10mbar=101.9716mmH₂O=4.01463inH₂O

Overrange limit: To maximum static pressure limit

Output signal:
Model FHY: 4 to 20mA DC 2-wire, linear signal
Model FKY: 4 to 20mA DC with digital signal superimposed on the 4 to 20mA signal

Power supply: Transmitter operates on 10.5V to 45V DC at transmitter terminals.
10.5V to 32V DC for the units with optional arrester.

Load limitations: see figure below



Note: For communication with FXW, min. of 250Ω required.

Hazardous locations:

Authorities	Flameproof	Intrinsic safety	Type N Nonincendive
BASEEFA Factory Mutual	Ex ds IIC T5, T6 Class I II III Div. 1 Groups B thru. G	EEx ia IIC T4, T5 Class I II III Div. 1 Groups A thru. F	Ex N II T5 Class I II III Div. 2 Groups A thru. G
RIIS	Ex ds IIB+H ₂ T4	IIG4	—

Zero/span adjustment:

Model FHY: Zero is adjustable externally from the adjustment screw (UP and DOWN). The adjustment screw can also function to adjust span when MODE SWITCH (located on the electronics unit) is in the span mode. INHIBIT mode to disable the adjustment screw is also available.

Model FKY: Zero and span are adjustable from the HHC. Zero is also adjustable externally from the adjustment screw.

Damping: Adjustable electrical damping.

Model FHY: The time constant is adjustable to 0, 0.3, 1.2, 4.8, or 19.2 seconds.

Model FKY: The time constant is adjustable between 0 to 38.4 seconds.

Zero elevation/suppression:

- 100% to + 100% of URL

Normal/reverse action:

Model FHY: Selectable by moving a jumper pin located on the electronics unit.

Model FKY: Selectable from HHC

Indication: Analog indicator or 4 1/2 -digit LCD meter, as specified.

Burnout direction: Output hold
Output 21.6mA } selectable.
Output 3.8mA }

Model FHY: Unless otherwise specified, the output is in hold position.

Model FKY: Selectable from HHC

Loop-check output:

Model FHY: Transmitter can output constant signal of 4mA, 12mA, or 20mA if MODE SWITCH is set to the loop check mode.

Model FKY: Transmitter can be configured to provide constant signal 3.8mA through 21.6mA by HHC.

Temperature limit:

Ambient: - 15 to + 65°C

(- 15 to + 65°C for LCD indicator)

(- 15 to + 60°C for arrester option)

(- 10 to + 60°C for fluorinated oil fill transmitter)

(- 10 to + 60°C for silicon oil "H", "S")

For explosionproof units (flameproof or intrinsic safety), ambient temperature must be within the limits specified in each standard.

Process:

Fill fluid	13th digit of "Code symbols"	Process temperature	Lower limit of static press
Fluorinated oil	W, A and D	-20 to 80°C	Atmospheric pressure
Silicone oil	H	0 to 250°C	2.7kPa abs (20.3mmHg abs)
	Y and G	-40 to 120°C	
	S	0 to 250°C	

Low pressure side contact liquid temperature on transmitter of Code H, S, is 120°C or lower.

Storage: - 40 to + 70°C

Humidity limit: 0 to 100% RH

Communication: (Model FKY only)

With HHC (Model FXW, consult Data Sheet No. EDS8-47), following information can be remotely displayed or reconfigured.

Items	Display	Set
Tag No.	v	v
Model No.	v	v
Serial No.	v	—
Engineering unit	v	v
Range limit	v	—
Measuring range	v	v
Damping	v	v
Output mode	v	v
Burnout direction	v	v
Adjustment	v	v
Output adjust	—	v
Data	v	—
Self diagnoses	v	—
Printer	—	—
External switch lock	v	v
Transmitter display (*)	v	v

(*) HHC's version must be more than 5.0 (or FXW □□□□I-□2), to use this function.

Performance specifications

Accuracy rating: (including linearity, hysteresis, and repeatability)

For spans greater than 1/10 of URL: $\pm 0.25\%$ of span
 For spans below 1/10 of URL (Model FKY only):

$$\pm \left(0.17 + 0.08 \frac{0.1 \times \text{URL}}{\text{Span}} \right) \% \text{ of span}$$

Linearity: 0.1% of calibrated span

Stability: $\pm 0.2\%$ of upper range limit (URL) for 6 months

Temperature effect:

Effects per 55°C change between the limits of -15°C and +65°C

Zero shift; $\pm 1\%/55^\circ\text{C}$
 (x equal to 1/2 URL or more)

Zero shift; $\pm \frac{\text{URL}}{2 \times x} \% / 55^\circ\text{C}$

(x less than 1/2 URL)

Total shift; $\pm 1.5\%/55^\circ\text{C}$
 (x equal to 1/2 URL or more)

Total shift; $\pm \left(0.5 + \frac{\text{URL}}{2 \times x} \right) \% / 55^\circ\text{C}$

(x less than 1/2 URL)

High performance type (option) ...

Zero shift; $\pm 1\%/55^\circ\text{C}$
 (x equal to 1/6.5 URL or more)

Zero shift; $\pm \left(\frac{\text{URL}}{6.5 \times x} \right) \% / 55^\circ\text{C}$

(x less than 1/6.5 URL)

Total shift; $\pm 1.5\%/55^\circ\text{C}$
 (x equal to 1/6.5 URL or more)

Total shift; $\pm \left(0.5 + \frac{\text{URL}}{6.5 \times x} \right) \% / 55^\circ\text{C}$

(x less than 1/6.5 URL)

Where, x: Calibrated span
 URL: Maximum span (Upper Range Limit)

Note: 2.5 times the effects for material code (7th digit) "H", "M", "T", "B", "L", "U".

Static pressure effect:

Zero shift: $\pm 0.2\%$ of URL/1MPa (10 bar)
 Span shift: -0.2% of calibrated span for flange rating pressure

2.5 times the zero shift for material code "H", "M", "T", "B", "L", "U".

Overrange effect: Zero shift; $\pm 0.3\%$ of URL for flange nominal pressure

2.5 times the effects for material code "H", "M", "T", "B", "L", "U".

Supply voltage effect:

Less than 0.05% of calibrated span per 10V

RFI effect:

Less than 0.2% of URL for the frequencies of 20 to 1000MHz and field strength 30 V/m when electronics covers on.

Step response: (without electrical damping)

Time constant	Dead time
0.3 s	approx. 0.3 s

Mounting position effect:

Zero shift, less than 0.3kPa (3m bar) for a 10° tilt in any plane. (No extension)
 No effect on span.

This error can be corrected by adjusting zero.

(Double the effect for fluorinated fill sensors)

Dielectric strength:

500V AC, 50/60Hz 1 min., between circuit and earth.

Insulation resistance:

More than 100MΩ at 500V DC.

Turn-on time: 4 sec

Internal resistance for external field indicator:

12Ω or less

Physical specifications

Electrical connections:

G1/2, 1/2-14 NPT, Pg13.5, or M20 x 1.5 conduit, as specified.

Process connections:

LP side: 1/4-18 NPT or Rc1/4.

HP side: ANSI, or JIS raised face flange.

See OUTLINE DIAGRAM for detailed dimensions.

Refer to "Code symbols"

Process-wetted parts material:

Material code (7th digit in "Code symbols")	LP side			HP side
	Process cover	Diaphragm	Wetted sensor body	Diaphragm & flange face
V	316 stainless steel (*2)	316L stainless steel	316 stainless steel	316L stainless steel
H	316 stainless steel (*2)	Hastelloy-C	Hastelloy-C lining	Hastelloy-C
M	316 stainless steel (*2)	Monel	Monel lining	Monel
T	316 stainless steel (*2)	Tantalum	Tantalum lining	Tantalum
B	Hastelloy-C lining	Hastelloy-C	Hastelloy-C lining	Hastelloy-C
L	Monel lining	Monel	Monel lining	Monel
U	Tantalum lining	Tantalum	Tantalum lining	Tantalum

* (1) Sensor O-rings: Viton or teflon selectable

(2) SCS14 Per JIS G5121

Non-wetted parts material:

Electronics housing: Low copper die-cast aluminum alloy (standard), finished with epoxy/polyurethane double coating, or 316 stainless steel, as specified.

Bolts and nuts: Cr-Mo alloy (standard) or 304 stainless steel

Fill fluid: Silicone oil (standard) or fluorinated oil (Daifloil)

Mounting flange: Carbon steel or 304 stainless steel, as specified

Environmental protection:

IEC IP67 and NEMA 4X

Flange mounting: See drawings

Mass (weight): Transmitter approximately 13kg without options.

Add; 0.5kg for mounting bracket

0.8kg for indicator option

4.5kg for stainless steel housing option

1.0kg per 50mm extension of diaphragm

Optional features

- Indicator:** A plug-in analog indicator (1.5% accuracy) can be housed in the electronics compartment or in the terminal box of the housing. An optional 4½ digits LCD meter is also available.
- Arrester:** A built-in arrester protects the electronics from lightning surges. Lightning surge immunity is 4kV (1.2 x 50µs).
- Oxygen service:** Special cleaning procedures are followed throughout the process to maintain all process wetted parts oil-free. The fill fluid is fluorinated oil.
- Chlorine service:** Oil-free procedures as above. Includes fluorinated oil for fill.
- De-greasing:** Process-wetted parts are cleaned, but the fill fluid is standard silicone oil. Not for use on oxygen or chlorine measurement.
- Vacuum service:** Special silicone oil and filling procedure are applied. See below figure.

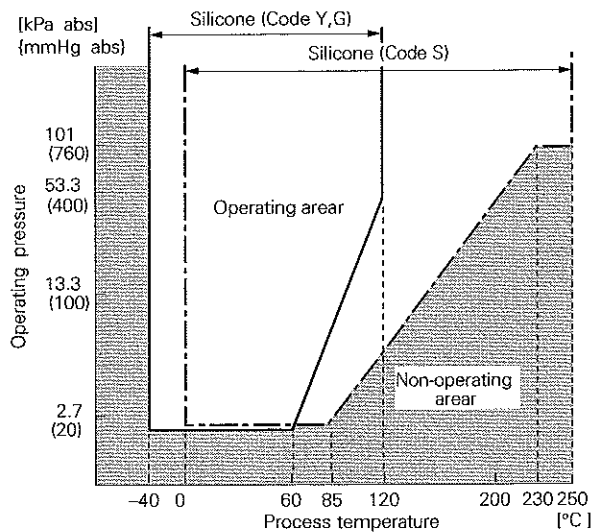


Fig. 1 Relation between process temperature and operating pressure

- Customer tag:** A stainless steel tag with customer tag data is wired to the transmitter.
- Coating of cell:** Cell's surface is finished with epoxy/polyurethane double coating. Specify if environment is extremely corrosive.

ACCESSORIES

- Oval flanges:** (Model FFP, refer to Data Sheet No. EDS6-10)
Converts process connection to 1/2-14 NPT or to Rc1/2; in carbon steel or in 316 stainless steel.
- Hand held communicator:** (Model FXW, refer to Data Sheet No. EDS 8-47)
- Communication module:** (Standard for model FKY)
When using this module for model FHY, remote setting function becomes available.
Remark: When the communication module is connected, the operation mode of external zero/span adjustment screw is changed to zero adjustment.

The product conforms to the requirements of the Electromagnetic compatibility Directive 89/336/EEC as detailed within the technical construction file number TN510412. The applicable standards used to demonstrate compliance are :-

EMI (Emission) EN 50081-1 : 1992

Test item	Frequency range	Basic standard
Applicable Electromagnetic Radiation Disturbance	30-1000MHz	EN55022 Class B

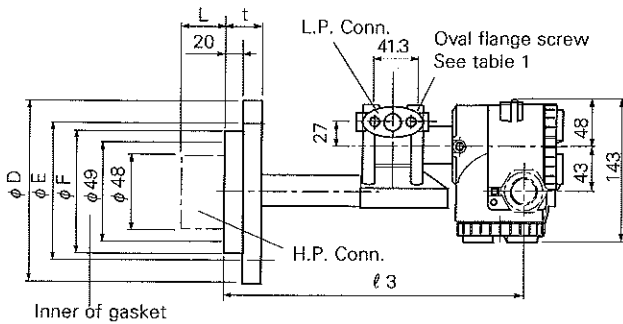
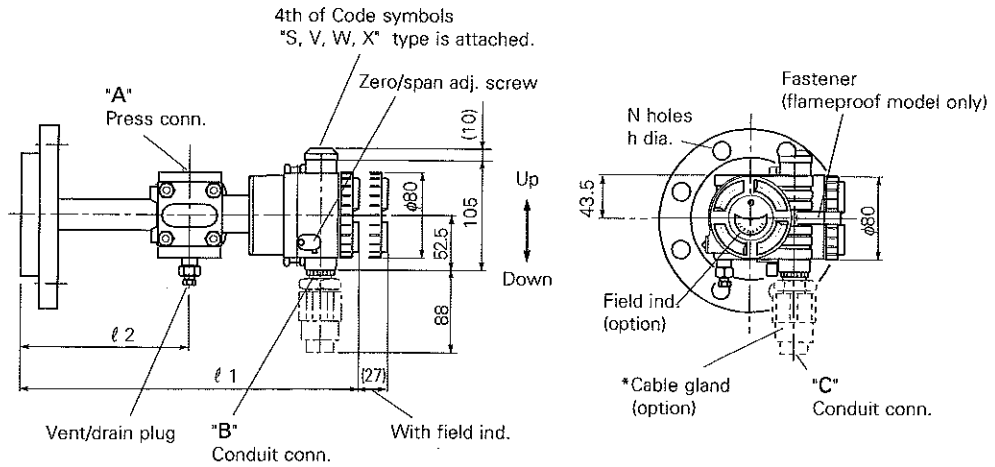
EMS (Immunity) EN 50082-1 : 1992

No.	Test item	Test specification	Basic standard	Performance criteria
1	Electrostatic discharge	8kV (Air)	IEC 801-2 : 1984	B
2	Radio-frequency electromagnetic field	27-500MHz 3V/m (Unmodulated)	IEC 801-3 : 1984	A
3	Fast transients common mode	0.5kV 5/50(Ti/Th)ns 5kHz Rep.	IEC 801-4 : 1984	B

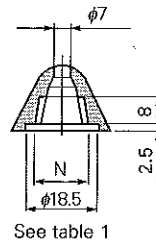
"LVD - The transmitter is not covered by the requirements of the LVD standard."

1	2	3	4	5	6	7	8	9	10	11	12	13	14	15	Description
F	Y														Indicator and arrester
															Indicator
															Arrester
A															None
B															None
D															Analog, 0 to 100% linear scale
J															None
E															Analog, custom scale
F															None
H															Analog, double scale
K															None
L															None
P															Analog, 0 to 100% linear scale
Q															Analog, custom scale
S															Analog, double scale
															Digital, 0 to 100%
															None
															Digital, custom scale
															None (Model FKY only)
															Digital, 0 to 100%
															Yes
															Digital, custom scale
															Yes (Model FKY only)
															Approvals for hazardous locations
A															None (for ordinary locations)
B															JIS, Flameproof (Conduit seal)
C															JIS, Flameproof (Cable gland seal)
D															FM, Flameproof (or explosionproof)
M															BASEEFA, Flameproof (Conduit seal)
N															BASEEFA, Flameproof (Cable gland seal) (Conduit connection G 1/2 only)
G															JIS, Intrinsic safety
H															FM, Intrinsic safety and nonincendive
K															CENELEC, Intrinsic safety
P															CENELEC, Intrinsic safety and BASEEFA, Type N
															Diaphragm extension [mm]
															<u>Extension [mm]</u> <u>Applicable material code</u>
Y															0 Any
A															50
B															100
C															150
D															200
															(7th digit code "V" only, 1 1/2 in. flange is not applicable)
															Stainless steel parts
															Stainless steel tag plate
															Stainless steel elec. housing
															Coating of cell
Y															None
B															Yes
C															None
E															None
M															Yes
N															Yes
P															None
Q															Yes
															Yes
															Special applications and fill fluid
															Treatment
															Fill fluid
Y															None (standard)
W															None (standard)
G															Degreasing
A															Oxygen service
D															Chlorine service
H															High temp. 250°C
S															High temp. and vacuum (250°C)
															Silicone oil
															Fluorinated oil
															Silicone oil
															Fluorinated oil (7th digit code "V" only)
															Fluorinated oil (7th digit code "H", "T", "B" and "U")
															Silicone oil (7th digit code "V" only)
															Silicone oil (7th digit code "V" only)
															O-ring and Teflon membrane
															O-ring
															Teflon membrane
A															Viton
B															Teflon
C															Viton
D															Teflon
															Yes
															Yes
															(11th digit code "Y" only)
															Bolt/nut
A															Cr-Mo alloy hexagon socket head cap screw/carbon steel nut
B															Cr-Mo alloy hexagon bolt/nut
E															304 stainless steel/304 stainless steel

OUTLINE DIAGRAM (Unit:mm)

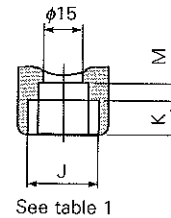


Details of "A"



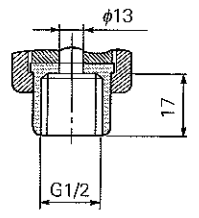
See table 1

Details of "B"

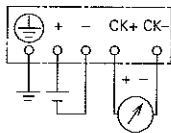


See table 1

Details of "C"



CONNECTION DIAGRAM



11th digit of Code symbols	L [mm]	Mass approx. [kg]	l ₁	l ₂	l ₃
Y	0	9.5 to 12	323	150	286
A	50	10 to 17	317	144	290
B	100	10.5 to 17.5			
C	150	11 to 18			
D	200	11.5 to 18.5			

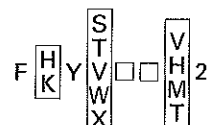
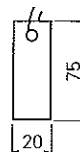
5th digit of Code symbols	phi D	phi E	t	N-phi h	Flange
0, G	140	105	36	4-19	JIS-10K-40A
1, H	155	120	36	4-19	JIS-10K-50A
2, J	140	105	38	4-19	JIS-20K-40A
3, K	155	120	38	8-19	JIS-20K-50A
4, L	160	120	42	4-23	JIS-30K-40A
5, M	165	130	42	8-19	JIS-30K-50A
A, Q	127	98.4	37.5	4-16	ANSI/JPI-150LB-1 1/2B
B, R	152	120.6	39.5	4-20	ANSI/JPI-150-2B
C, S	156	114.3	41	4-23	ANSI/JPI-300LB-1 1/2B
D, T	165	127	42.5	8-20	ANSI/JPI-300LB-2B

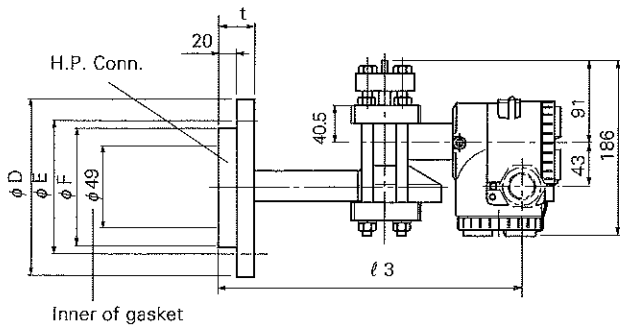
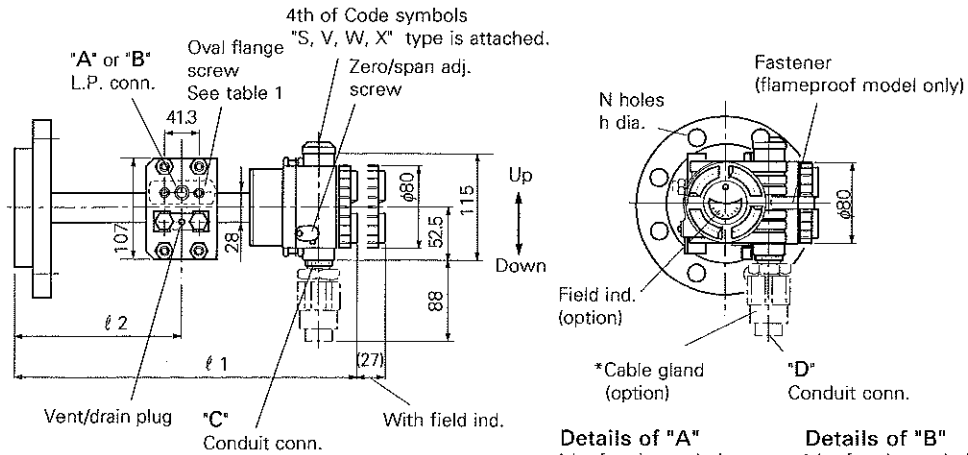
4th digit of Code symbols	Conduit conn.			Press. conn.	Oval flange screw	Earth terminal
	J	K	M	N		
S	G1/2	17	8	Rc1/4	7/16-20UNF screw depth 13	M4
T	1/2-14NPT	16	5	1/4-18NPT	7/16-20UNF screw depth 13	No. 8-32UNC
V	Pg13.5	8	4.5	1/4-18NPT	M10 screw depth 13	M4
W	M20x1.5	16	5	1/4-18NPT	M10 screw depth 13	M4
X	Pg13.5	8	4.5	1/4-18NPT	7/16-20UNF screw depth 13	M4

Table 1

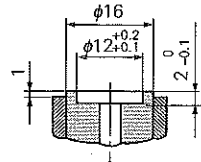
Note *: Cable gland is supplied only for flameproof packing type. phi 11 cable is suitable.

<Optional stainless steel tag>

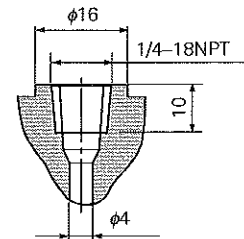




Details of "A"
4th of code symbols
"S" type

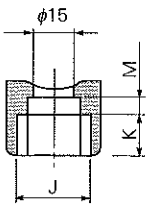


Details of "B"
4th of code symbols
"T, V, W, X" type

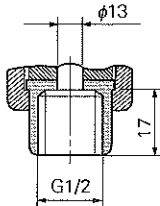


11th digit of Code symbols	Mass approx. [kg]	l 1	l 2	l 3
Y	11.5 to 15	323	150	286

Details of "C"

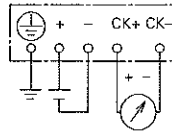


Details of "D"



See table 1

CONNECTION DIAGRAM

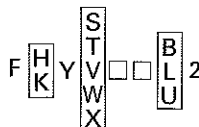


5th digit of Code symbols	phi D	phi E	t	N-phi h	Flange
0, G	140	105	36	4-19	JIS-10K-40A
1, H	155	120	36	4-19	JIS-10K-50A
2, J	140	105	38	4-19	JIS-20K-40A
3, K	155	120	38	8-19	JIS-20K-50A
4, L	160	120	42	4-23	JIS-30K-40A
5, M	165	130	42	8-19	JIS-30K-50A
A, Q	127	98.4	37.5	4-16	ANSI/JPI-150LB-1 1/2B
B, R	152	120.6	39.5	4-20	ANSI/JPI-150-2B
C, S	156	114.3	41	4-23	ANSI/JPI-300LB-1 1/2B
D, T	165	127	42.5	8-20	ANSI/JPI-300LB-2B

4th digit of Code symbols	Conduit conn.			Oval flange screw	Earth terminal
	J	K	M		
S	G1/2	17	8	Not attached	M4
T	1/2-14NPT	16	5	7/16-20UNF screw depth 13	No. 8-32UNC
V	Pg13.5	8	4.5	M10 screw depth 13	M4
W	M20x1.5	16	5	M10 screw depth 13	M4
X	Pg13.5	8	4.5	7/16-20UNF screw depth 13	M4

Table 1

Note *: Cable gland is supplied only for flameproof packing type. phi 11 cable is suitable.



Fuji Electric Co.,Ltd.

Head office
11-2 Osaki 1-chome, Shinagawa-ku, Tokyo, 141-0032 Japan
Phone: 81-3-5435-7111
<http://www.fujielectric.co.jp/eng/sg/KEISOKU/welcome.htm>

Fuji Electric Instruments Co.,Ltd.

Sales Div.
International Sales Dept.
No.1, Fuji-machi, Hino-city, Tokyo 191-8502 Japan
Phone: 81-42-585-6201, 6202
Fax: 81-42-585-6187, 6189