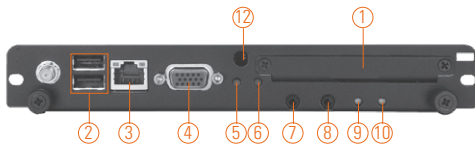


OPS860

Socket G2 2nd Gen Intel® Core™ Open Pluggable Specification (OPS) Digital Signage Player with Intel® QM67 Chipset



- | | |
|------------------|-----------------------------|
| 1. 2.5" HDD Slot | 7. Audio (Line-out) |
| 2. USB 2.0 x 2 | 8. Audio (Mic-in) |
| 3. Ethernet | 9. Power indicator |
| 4. VGA | 10. HDD indicator |
| 5. Power switch | 11. JAE TX-25 |
| 6. Reset | 12. WiFi antenna (optional) |



Specifications

Main System	CPU	Supports socket G2 (rPGA 988B) 2nd generation Intel® Core™ i7/ i5/ i3 processors (Sandy Bridge) (optional)
	Chipset	Intel® QM67 PCH
	System Memory	1 x DDR3 1333 SO-DIMM max. up to 8 GB
	Storage	1 x 2.5" SATA HDD tray
	Watchdog Timer	255 levels, 1 ~ 255 sec.
IO	2 x USB 2.0	
	1 x 10/100/1000Mbps Ethernet	
	1 x VGA	
	1 x power on/off button	
	1 x reset button	
	1 x Audio (Line-out/ Mic-in)	
	1 x DVI/HDMI (via OPS JAE interconnector)	
	1 x DisplayPort (via OPS JAE interconnector)	
	3 x USB 2.0 (via OPS JAE interconnector)	
	1 x Audio (Line-out, via OPS JAE interconnector)	
1 x UART (TX/RX via OPS JAE interconnector)		
Indicator	1 x LED for system power ON	
	1 x LED for HDD active	
WiFi	Supports 802.11 a/b/g/n (optional)	
Expansion Slot	1 x PCI Express Mini Card	
Dimensions	200 mm (7.87") (W) x 119 mm (4.68") (D) x 30 mm (1.18") (H)	
	Packing Dimensions 270 mm (10.63") (W) x 197 mm (7.76") (D) x 70 mm (2.76") (H)	
Weight (net/gross)	1 kg (2.2 lb)/1.5 kg (3.3 lb)	
Environmental	0° ~ +54°C (32°F ~ 130°F) (With airflow 0.7m/s)	

Packing

- 1 x driver CD
- 1 x HDD mylar x 1
- 1 x thermal grease (syringe 1G)
- 2 x M3 x 4 screw
- 2 x M4 x 6 screw

517

Features

- Open Pluggable Specification (OPS) compliance
- Supports socket G2 (rPGA 988B) 2nd generation Intel® Core™ i7/ i5/ i3 processors (Sandy Bridge) (optional)
- DDR3 1333 SO-DIMM max. up to 8 GB
- PCIe Express Mini Card
- Supports Intel® AMT (Active Management Technology) 7.0
- Easy maintenance: pluggable HDD and easy-to-change DRAM
- VGA connector



▲ Rear view

Optional EOS Installation

Windows® 7 Embedded

Optional OS Installation

Windows® XP, Windows® 7

Ordering Information

Standard

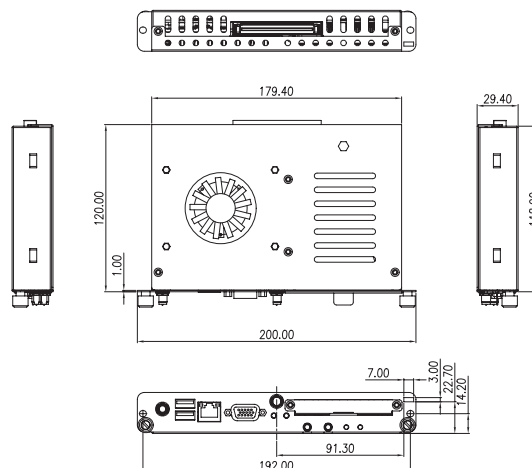
OPS860 Intel® OPS digital signage player supports socket G2 processor (Sandy Bridge)

Optional

OFF320 31.5" full HD digital signage display
 OFF321 31.5" LED backlight full HD digital signage display
 AX93157 OPS docking board

* Specification and certifications are based on options and may vary.

Dimensions



* All specifications and photos are subject to change without notice.