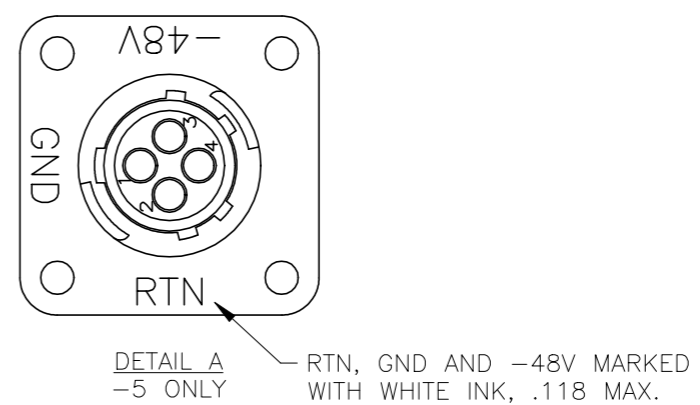
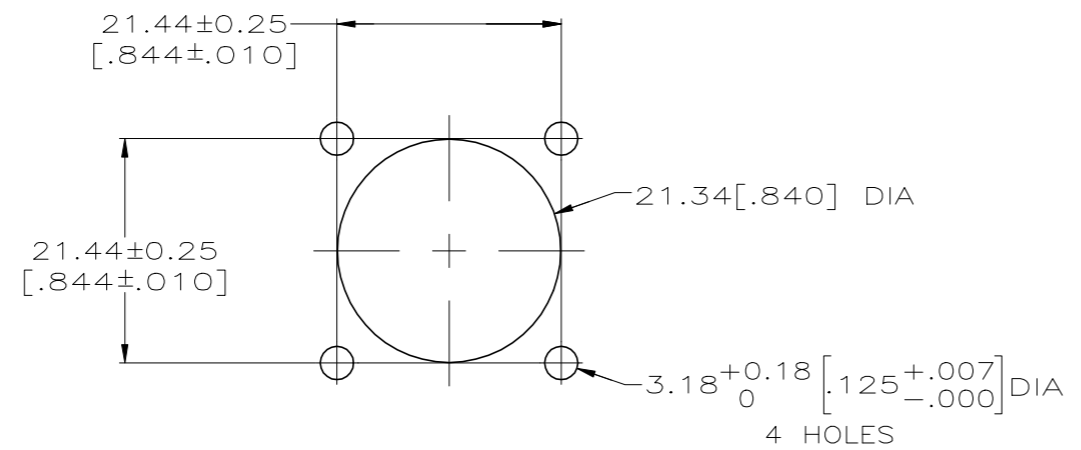
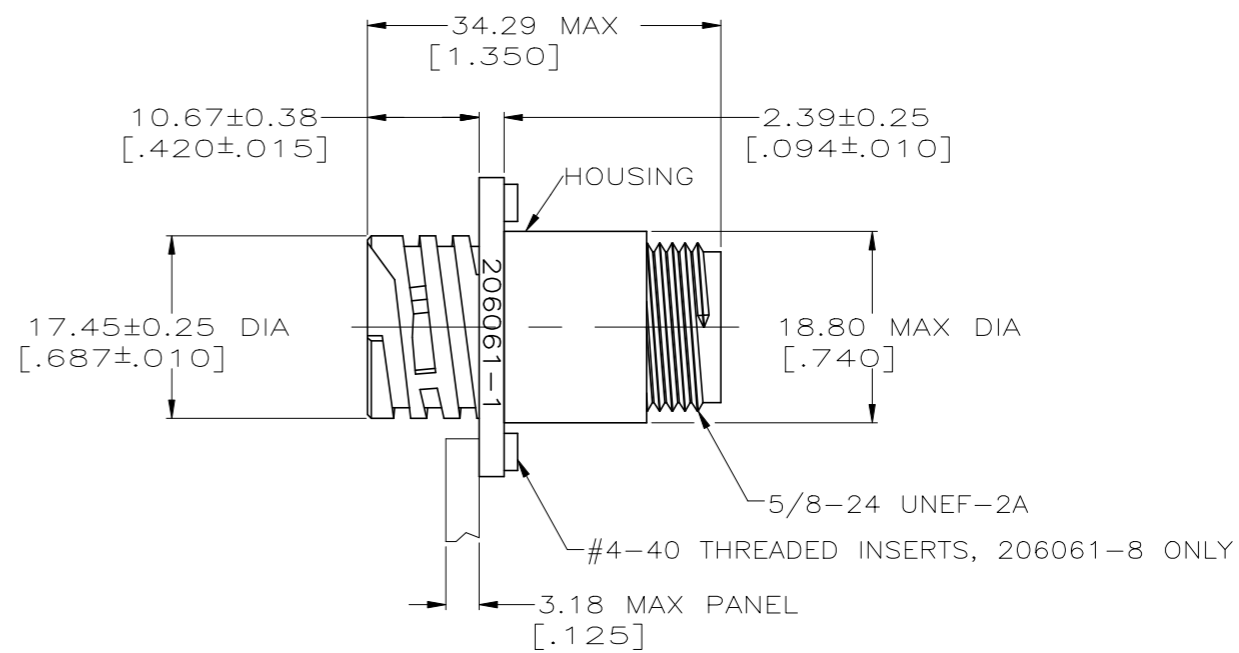
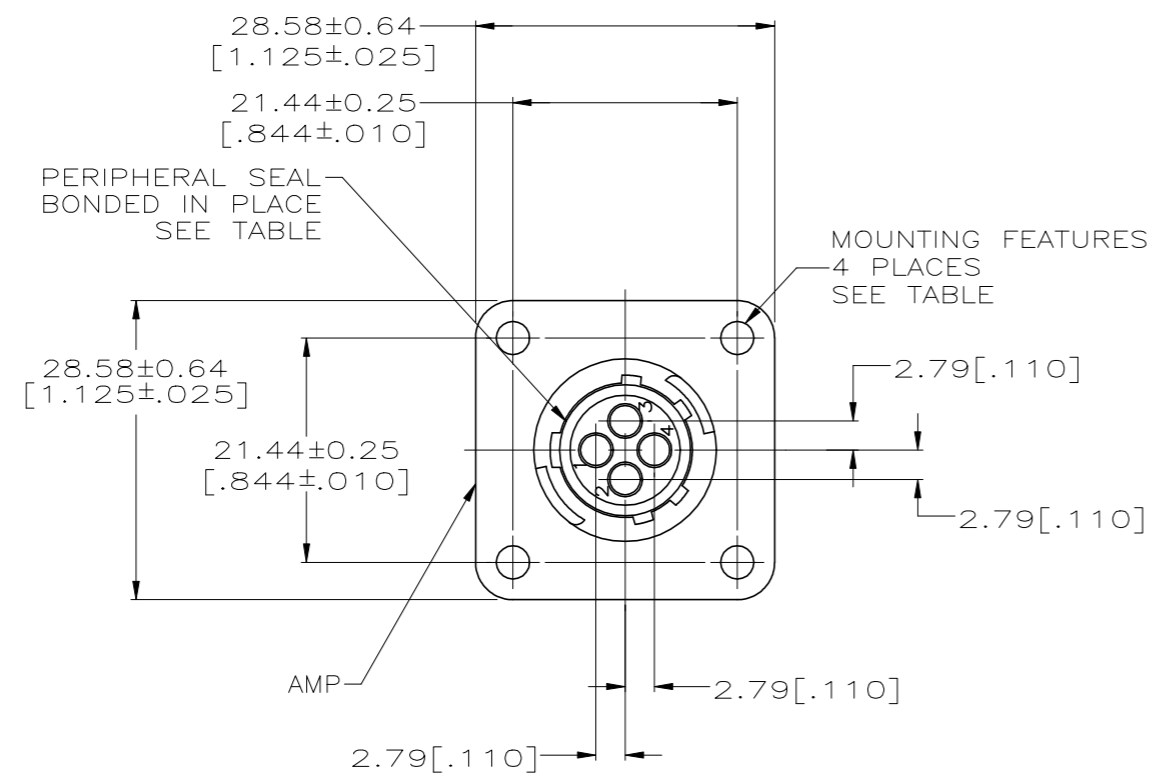


THIS DRAWING IS UNPUBLISHED. RELEASED FOR PUBLICATION  
 © COPYRIGHT - By - ALL RIGHTS RESERVED.

REVISIONS				
P	LTR	DESCRIPTION	DATE	APVD
F1		REVISED PER ECO-11-004587	11MAR11	RK HMR
G		REVISED PER ECO-17-000037	10MAR2017	RS MZ
H		REVISED PER ECO-19-014836	21OCT2019	RS MZ



RECOMMENDED PANEL CUTOUT

NOTES:

1. CAVITY IDENTIFICATION ON FRONT AND REAR FACE.
  2. WILL ACCEPT FOUR (4) MULTIMATE PIN CONTACTS.
- 3 MATERIALS:  
 HOUSING: PA66, BLACK  
 PERIPHERAL SEAL: NITRILE BUTADIENE RUBBER, BLACK  
 THREADED INSERT: BRASS

#4-40 THREADED INSERT	-	STANDARD	NO	206061-8
OBSOLETE	Ø 3.18 (.125) HOLES	DETAIL A	NO	206061-5
			NO	206061-3
	Ø 3.18 (.125) HOLES		YES	206061-2
			NO	206061-1
MOUNTING FEATURES	MARKING	PACKAGING	PERIPHERAL SEAL	PART NO.

THIS DRAWING IS A CONTROLLED DOCUMENT.		DWN 07/26/93 D.GELTZ	<b>STE</b> TE Connectivity	
		CHK 08/11/93 R.STONE		
DIMENSIONS: INCHES	TOLERANCES UNLESS OTHERWISE SPECIFIED:	APVD -	NAME	
0 PLC ± -	1 PLC ± -	PRODUCT SPEC	RECEPTACLE HOUSING, STANDARD	
2 PLC ± 0.13 [.005]	3 PLC ± -	108-10024	SEX, SHELL SIZE 11, CPC	
4 PLC ± -	ANGLES ± -	APPLICATION SPEC	SIZE	CAGE CODE
MATERIAL	FINISH	WEIGHT	A2	00779
3	-	CUSTOMER DRAWING	DRAWING NO	RESTRICTED TO
			C=206061	-
			SCALE 2:1	SHEET 1 of 1
				REV H