



Main

Product Type	Power relay
Switch Function	DPDT
Contact Composition	2 NO + 2 NC

Complementary

Input Current	30 A
Contacts Material	Silver alloy contacts
Minimum Switching Current	500 mA 5 V DC
Coil Resistance	13.5 Ohm
Drop-out Voltage Threshold	$\geq 0.1 U_c$ DC $\geq 0.15 U_c$ AC
Rated Operational Current	30 A at 300 V AC (at nominal load) conforming to UL 15 A at 600 V AC (at nominal load) conforming to UL 30 A at 28 V DC (on resistive load) conforming to UL 5.5 A at 120 V AC (on pilot duty) conforming to UL 1.2 A at 600 V AC (on pilot duty) conforming to UL
Power consumption in W	2.3 W DC
Power consumption in VA	3.4 VA AC
Voltage Range	0.85...1.1 U_n AC
Maximum Switching Voltage	600 V AC
Motor Power HP	1 hp 120 V AC 50/60 Hz 2 hp 208/240 V AC 50/60 Hz 2 hp 480/600 V AC 50/60 Hz
Connections Terminals	Quick
Mounting	Flange
Height	2.90 in (73.6 mm)
Width	1.49 in (37.8 mm)
Depth	1.36 in (34.5 mm)

Product Weight	3.00 oz (85 g)
----------------	----------------

Environment

Ambient Air Temperature for Operation	-40...131 °F (-40...55 °C)
Ambient Air Temperature for Storage	-40...185 °F (-40...85 °C)
Product Certifications	UL CSA
Electrical Durability	100000 cycles
Mechanical Durability	5000000 cycles
Dielectric Strength	4000 V AC between coil and contact 2500 V AC between poles 2500 V AC between contacts

Ordering and shipping details

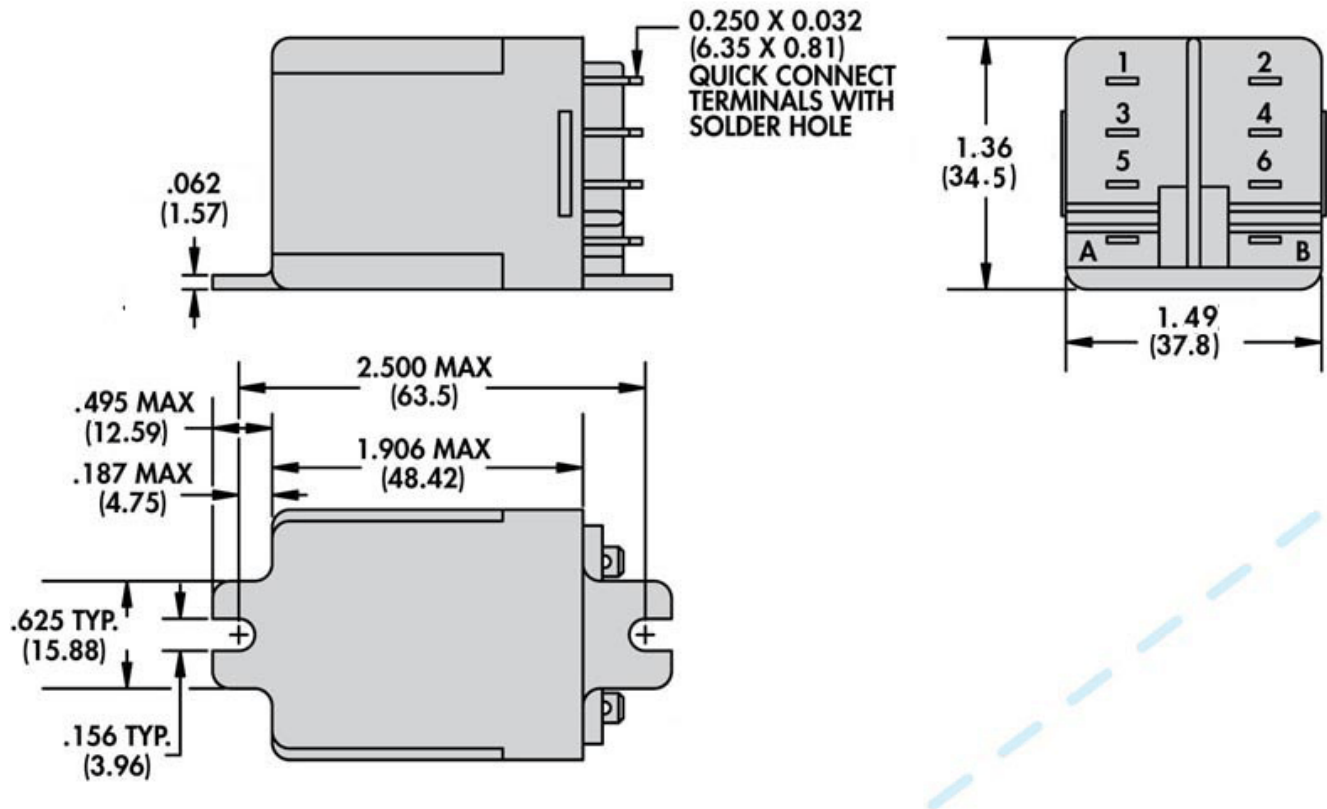
GTIN	03606480779107
------	----------------

Offer Sustainability

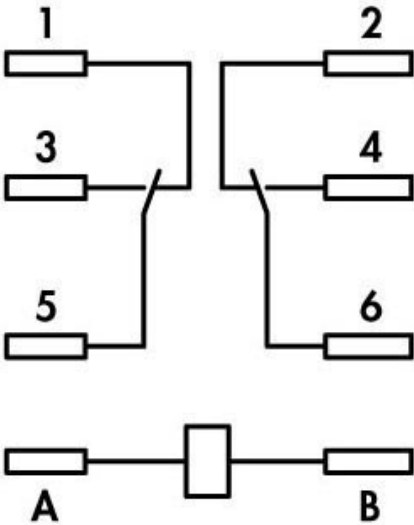
Sustainable offer status	Green Premium product
California proposition 65	WARNING: This product can expose you to chemicals including: Nickel compounds, which is known to the State of California to cause cancer, and Di-isodecyl phthalate (DIDP), which is known to the State of California to cause birth defects or other reproductive harm. For more information go to www.P65Warnings.ca.gov
REACH Regulation	REACH Declaration
REACH free of SVHC	Yes
EU RoHS Directive	Pro-active compliance (Product out of EU RoHS legal scope) EU RoHS Declaration
Toxic heavy metal free	Yes
Mercury free	Yes
RoHS exemption information	Yes
China RoHS Regulation	China RoHS declaration
Environmental Disclosure	Product Environmental Profile
WEEE	The product must be disposed on European Union markets following specific waste collection and never end up in rubbish bins.

Approximate Dimensions

SIDE MOUNTING COVER STYLE



Connections and Wiring Diagrams



XBX DPDT