



RL-3750

TOROIDAL LOW POWER VERTICAL INDUCTOR

DESCRIPTION

- Encapsulated Power Inductor

ENVIRONMENTAL DATA

- Storage temperature range: -55°C to +130°C
- Operating temperature range: -40°C to +130°C

PACKAGING INFORMATION

- Packaging information: pg. 494

FEATURES & APPLICATIONS

- Designed for switched-mode power supplies, filters or general purpose
- Used where high inductor stability is required when rapid load current changes occur
- Offers flexible packaging design since identical inductor values are offered for either vertical mounting having a small PCB footprint or in a low profile form for minimum height

Verify operation with sample in actual circuit. Order samples at www.rencousa.com.

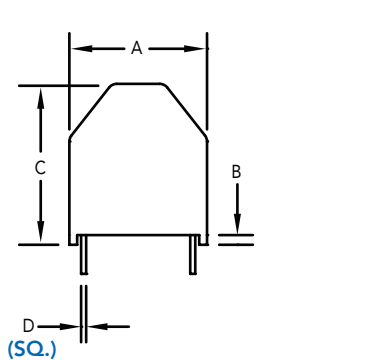
MECHANICAL DIMENSIONS

U.S. Standard (mm)

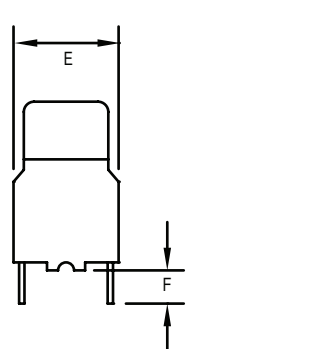
PART NUMBER	A (MAX.)	B (TYP.)	C (MAX.)	D (TYP.)	E
RL-3750	0.710 (18.03)	0.050 (1.27)	0.800 (20.32)	0.030 (0.76)	0.520 (13.21)

PART NUMBER	PART WEIGHT	F (REF.)	G ±0.005 (0.127)	H ±0.005 (0.127)
RL-3750	8.0g (0.28oz)	0.125 (5.08)	0.400 (10.16)	0.600 (15.24)

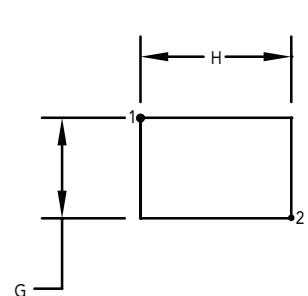
FRONT VIEW



SIDE VIEW



RECOMMENDED LAND PATTERN



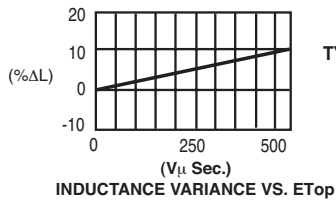
RENCO ELECTRONICS INC.

595 International Place, Rockledge, FL 32955-4200 USA • www.rencousa.com • ISO 9001 Certified
Toll Free Engineering Hot Line: 800.645.5828 • P: 321.637.1000 • F: 321.637.1600

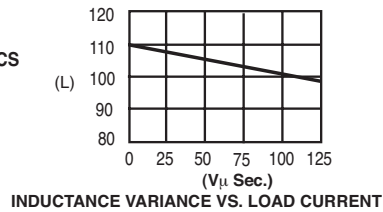


RL-3750

Renco Part No. RL-3750	REFERENCE OPERATING VALUES			DESIGN CONTROL VALUES			
	Inductance Typ. (μH) (1)	I_{sat} (A)	Max. E_{Top} ($\text{V}\mu\text{Sec}$) (3)	Inductance No. D.C. (μH)	1000 Hz Test Volts No DC	DCR Max. (Ohms)	Min. Energy Storage (μJ) (2)
RL-3750-150	150.0	1.70	80.0	175.0	0.050	0.36	215.0
RL-3750-220	220.0	1.50	90.0	255.0	0.070	0.38	240.0
RL-3750-330	330.0	1.00	100.0	380.0	0.080	0.74	165.0
RL-3750-470	470.0	0.90	120.0	540.0	0.100	1.10	190.0
RL-3750-680	680.0	0.85	175.0	790.0	0.120	1.58	245.0
RL-3750-820	820.0	0.75	175.0	950.0	0.130	2.30	230.0
RL-3750-1000	1000.0	0.50	175.0	1150.0	0.140	2.40	125.0



TYPICAL INDUCTANCE CHARACTERISTICS



NOTES:

1. I_{sat} AND E_{Top} VALUES SHOW POINT OF TYPICAL INDUCTANCE
2. RATED FOR 40°C RISE
3. RATED AT CONTINUOUS OPERATION TO 20% OF FULL CURRENT
4. ELECTRICAL SPECIFICATIONS MEASURED AT 25°C
5. INDUCTANCE TESTED AT 10 kHz, 0.1Vrms



RENCO ELECTRONICS INC.

595 International Place, Rockledge, FL 32955-4200 USA • www.rencousa.com • ISO 9001 Certified
Toll Free Engineering Hot Line: 800.645.5828 • P: 321.637.1000 • F: 321.637.1600

