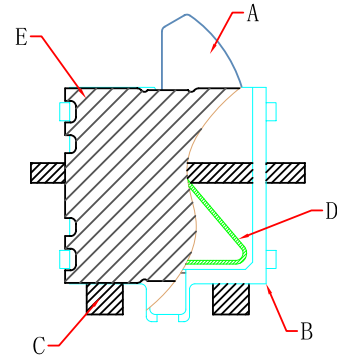
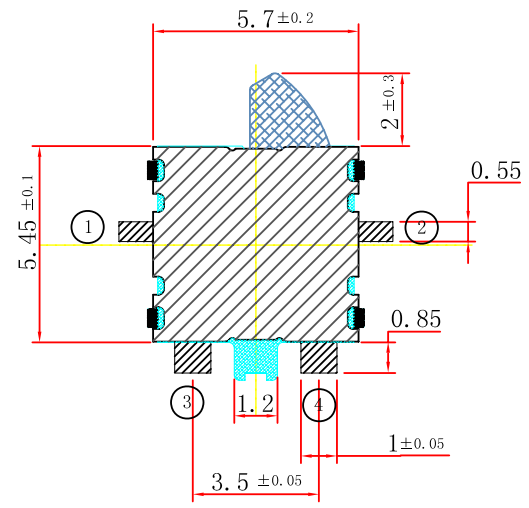
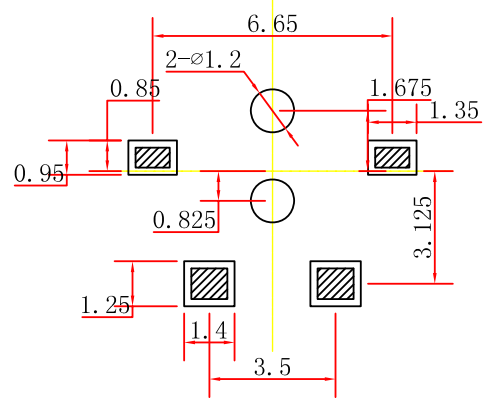


Rated range: 50mA DC12V
 Insulation resistance: 100M min(DC100V)
 Contact resistance: 300m
 Compressive strength: AC100V(50/60Hzfoy1minute)
 Mechanical life: 50000 cycles
 Operating temperature: -10 ~ +60
 Operation strength: 50 ± 30gf



PCB



E	lid	1	SUS	silvery white
D	Shrapnel	1	Silver copper	silvery white
C	Solder patch	1	Phosphor bronze	silvery white
B	base	1	PA66	black
A	Button	1	PA66	black
ITEM	PAPT NAMF	QTY	Material	colour

For and on behalf of
XKB INDUSTRIAL PRECISION CO., LIMITED
 香港星坤工業精密有限公司

△ X					
△ X					
△ X					
MARK					<i>Authorized Signature(s)</i>

REVISIONS

DSND		DATE		SCALE: N/A	MODEL TYPE: TM-1627A
DWN		DATE		VIEW:	PART NO.:
CHKD		DATE		UNIT: mm	DWG NO.:
APPD		DATE		SIZE: A4	
XKB INDUSTRIAL PRECISION CO., LIMITED				WEIGHT	1.0g
				SHEET	1/1
				REVISION	A0