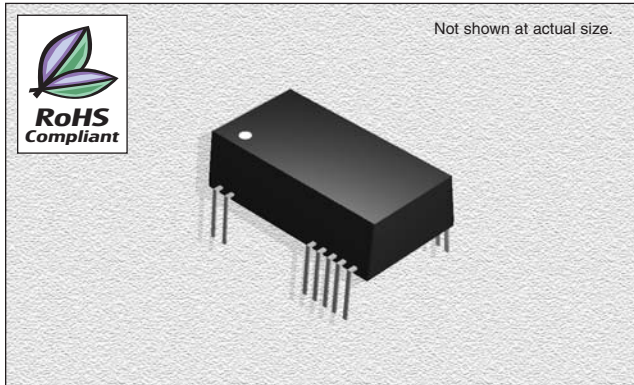


CTDD3214DF-S6K-1 Series

Fixed Input Isolated & Unregulated
1W Output, Single Output

SPECIFICATIONS

Part Number	Vin Nom. (VDC)	Input Range (VDC)	Vout (VDC)	Iout Max. (mA)	Iout Min. (mA)	Effi. Typ. (%)
CTDD3214DF-0505-S6K-1	5	4.5-5.5	5	200	20	68
CTDD3214DF-0509-S6K-1	5	4.5-5.5	9	111	12	72
CTDD3214DF-0512-S6K-1	5	4.5-5.5	12	84	9	74
CTDD3214DF-0515-S6K-1	5	4.5-5.5	15	67	7	74
CTDD3214DF-1205-S6K-1	12	10.8-13.2	5	200	20	69
CTDD3214DF-1209-S6K-1	12	10.8-13.2	9	111	12	72
CTDD3214DF-1212-S6K-1	12	10.8-13.2	12	84	9	74
CTDD3214DF-1215-S6K-1	12	10.8-13.2	15	67	7	75



ISOLATION SPECIFICATIONS

Item	Test Condition	MIN	TYP	MAX	Units
Isolation Voltage	Flash tested for 1 minute	6000			VDC
Isolation Resistance	Test at 500VDC	1000			MΩ

OUTPUT SPECIFICATIONS

Item	Test Condition	MIN	TYP	MAX	Units
1W Output Power		0.1		1	W
Line regulation	Nominal voltage ±1%			±1.2	%
Load regulation	10% to 100% (5V output)			15	%
Load regulation	10% to 100% (12V output)			10	%
Output voltage accuracy	100% full load				See tolerance envelope graph
Efficiency at full load	Nominal input voltage		75		%
Temperature drift	100% full load			0.03	%/°C
1W Output ripple	20MHz Bandwidth		75	150	mVp-p
Switching frequency	Full load, nominal input		250		KHz

Note:

1. All specifications measured at TA=25°C, humidity<75%, nominal input voltage and rated output load unless otherwise specified.

FEATURES

Efficiency: To 75%

Temperature Range: -40°C to 85°C

Isolation: 6KVDC

Package: UL94-V0

Miscellaneous: Positive Voltage Output. Small Footprint. No heat sink required. Fixed Input Voltage. No external component required. Industry standard pinout. Unregulated output voltage. Custom service available.

Samples available.

CHARACTERISTICS

Short Circuit Protection: 1 second

Temperature Rise at Full Load: 25°C Max. 15°C Typ.

Cooling: Free air convection

Operating Temperature Range: -40°C to +85°C

Storage Temperature Range: -55°C to +125°C

Lead Temperature: 300°C (1.5mm from case for 10 seconds)

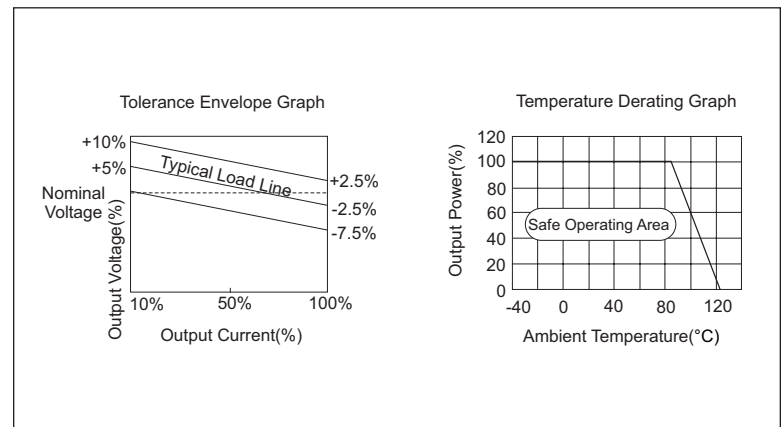
Storage Humidity Range: ≤ 95%

Case Material: Plastic (UL94-V0)

MTBF: >3,500,000 hours

Miscellaneous: RoHS Compliant.

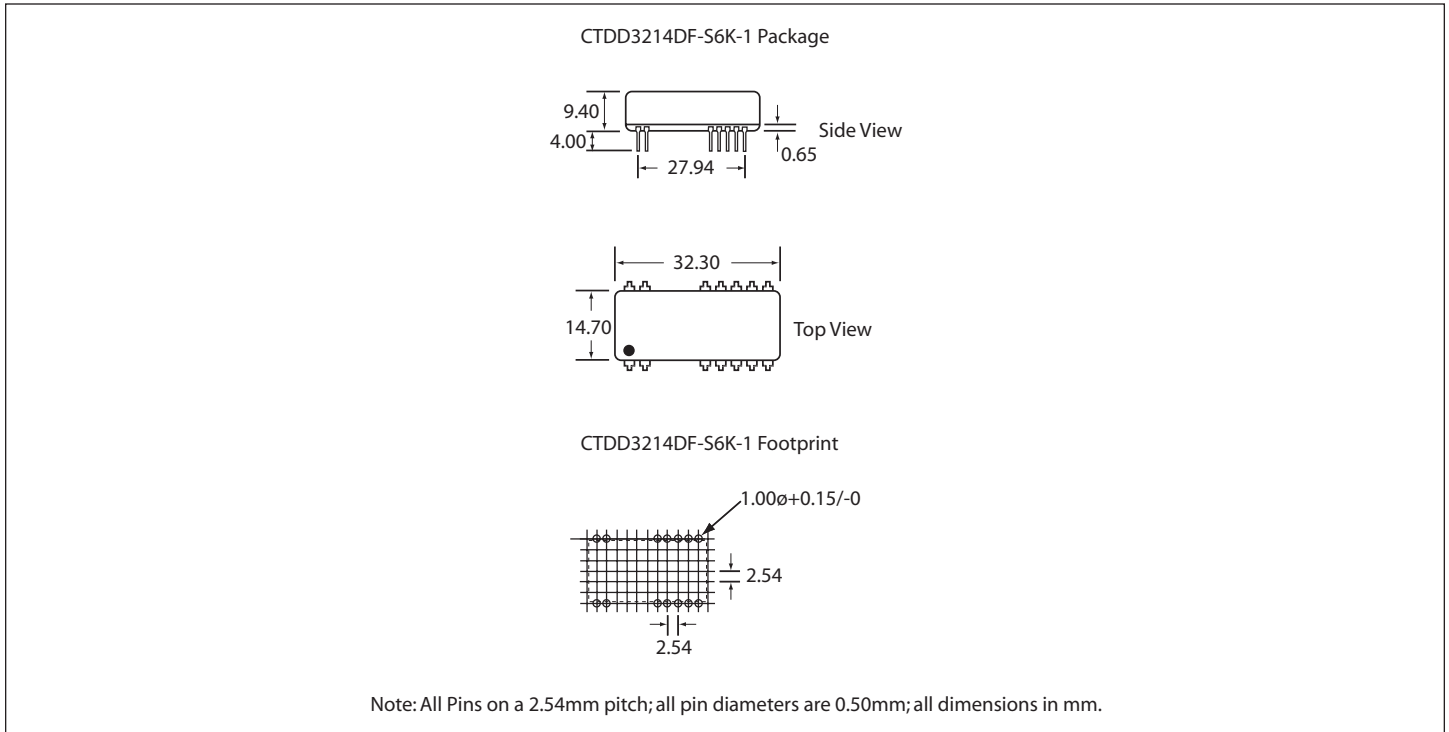
TYPICAL CHARACTERISTICS



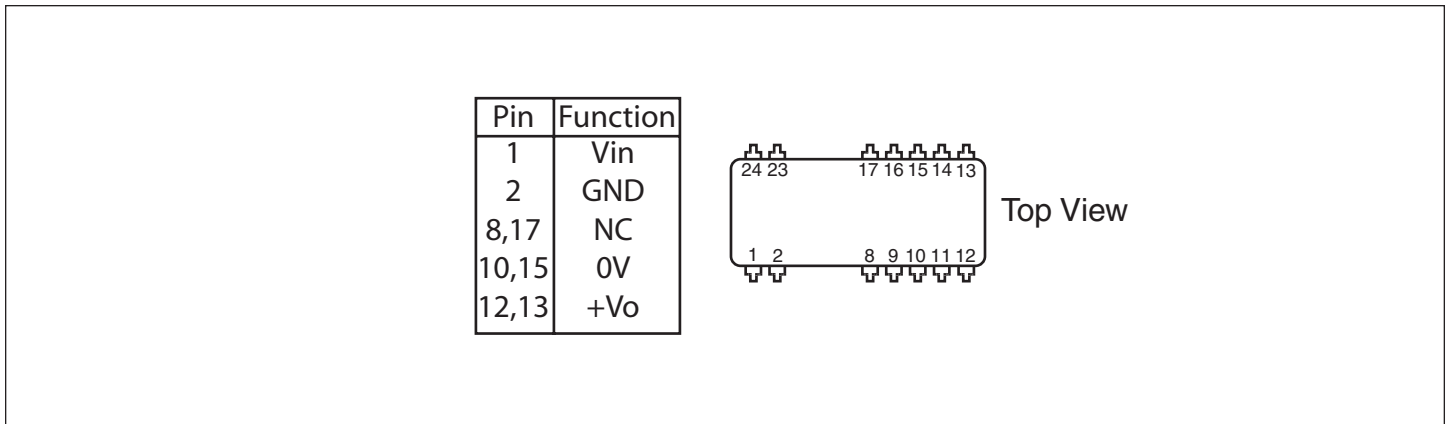
CTDD3214DF-S6K-1 Series

Fixed Input Isolated & Unregulated
1W Output, Single Output

OUTLINE DIMENSIONS & RECOMMENDED FOOTPRINT DETAILS



PIN CONNECTIONS



11.27.06