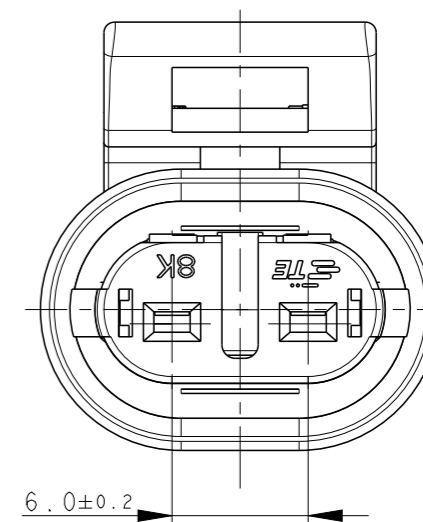
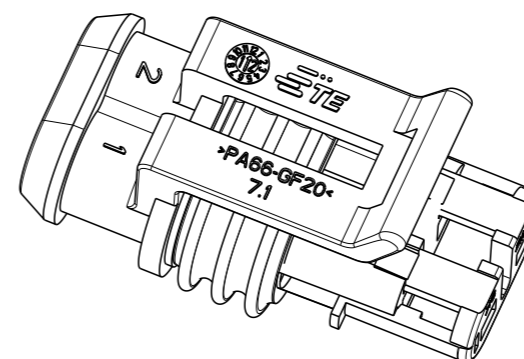
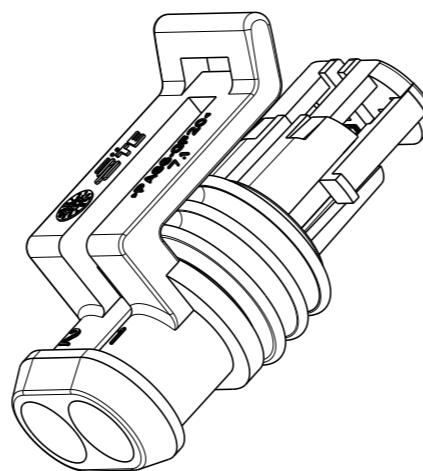
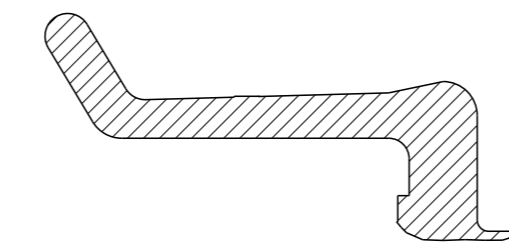
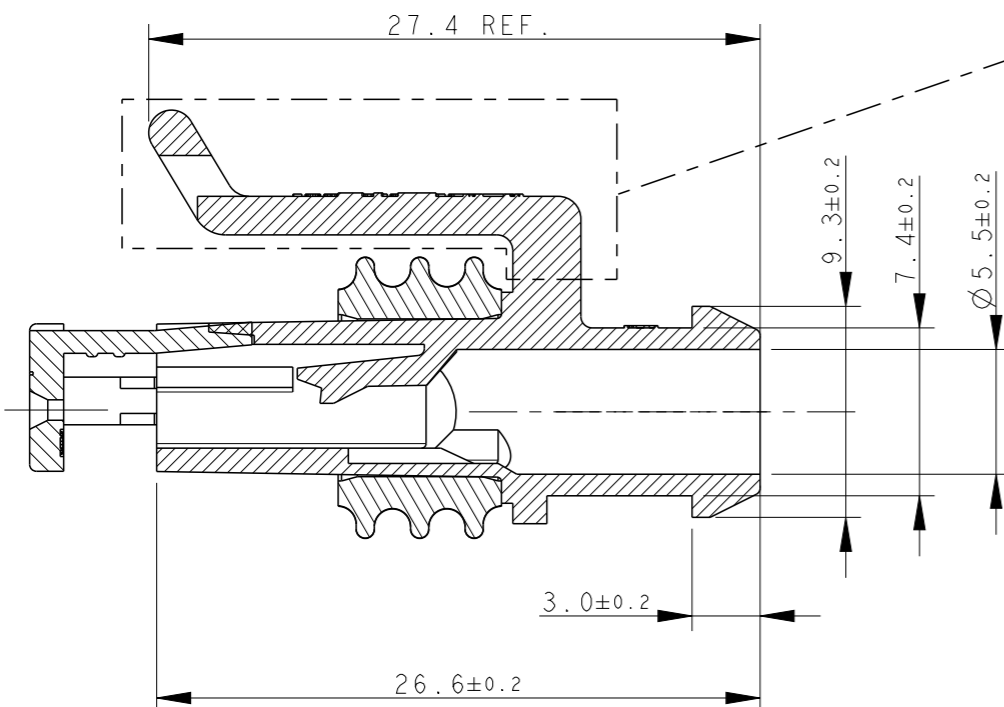


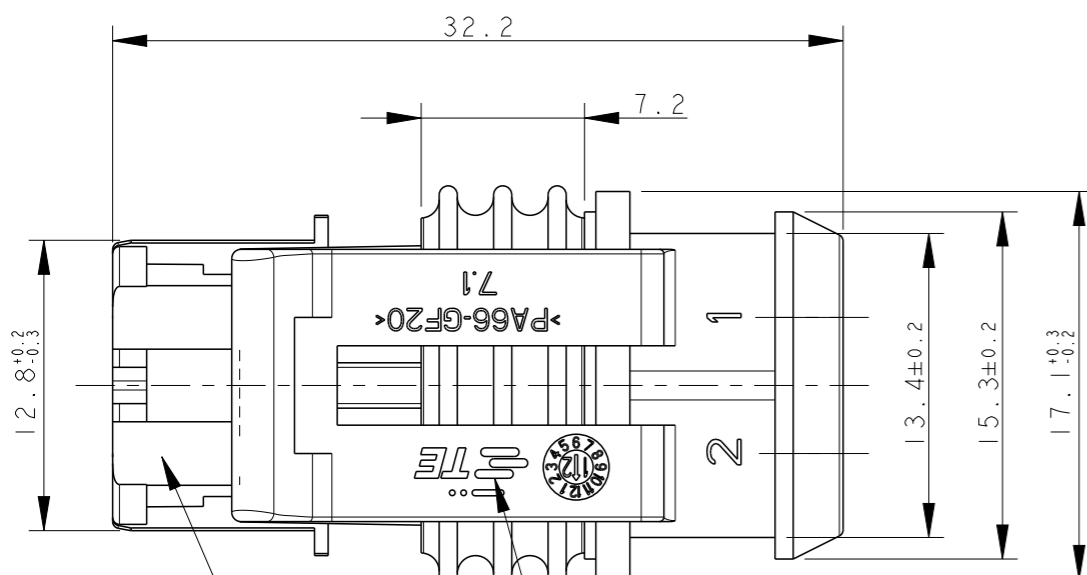
REVISIONS

P	LTR	DESCRIPTION	DATE	DWN	APVD
	D	ECR-14-009314	24MAR2015	M.P.	M.G.
	D1	REVISED (ECR-15-014031)	25SEP2015	M.G.	M.G.
	D2	ADDED FSL SEAL VERSION (ECO-15-016364)	13NOV2015	M.G.	M.G.

ALTERNATIVE DESIGN OF LOCKING LANCE



1) FOR COUNTERPART DETAILS, SEE SHEET 2 OF 2



TE CONNECTIVITY TRADE MARK, (IN ALTERNATIVE: "AMP" LOGO, OR "Tyco Electronics" LOGO)

SEALING (COLOUR YELLOW FOR LSR VERSION) (COLOUR WHITE FOR FSL VERSION)

PRE-ASSEMBLED SECONDARY LOCK (COLOUR RED)

FINISH/COLOR	MATERIAL	PART NUMBER
(*) NOT YET RELEASED FOR PRODUCTION	HOUSING+SEC.LOCK:PA66-GF SEALING: FSL	1-282080-1 (*)
BLACK	HOUSING+SEC.LOCK:PA66-GF SEALING: LSR	282080-4
BROWN		282080-3
GREEN		282080-2
GRAY		282080-1
BLACK		

THIS DRAWING IS A CONTROLLED DOCUMENT.		DWN C. BERTINI 05-1992		STE TE Connectivity	
DIMENSIONS: mm		CHK A. BRUNI 05-1992			
TOLERANCES UNLESS OTHERWISE SPECIFIED:		APVD -		NAME -	
0 PLC ±-		PRODUCT SPEC 108-20090		AMP SUPERSEAL 1.5 SRS. 2 POSITIONS PLUG ASS'Y	
1 PLC ±0.3		APPLICATION SPEC 412-20000		SIZE A300779	
2 PLC ±-		WEIGHT 2.60gr		CAGE CODE C-282080	
3 PLC ±-		Customer Drawing		DRAWING NO	
4 PLC ±-		SCALE 3:1		SHEET 1 OF 2	
ANGLES ±2°		Customer Drawing		REV D2	
FINISH -		Customer Drawing		RESTRICTED TO -	
SEE TABLE		Customer Drawing		Customer Drawing	

THIS DRAWING IS UNPUBLISHED.

RELEASED FOR PUBLICATION

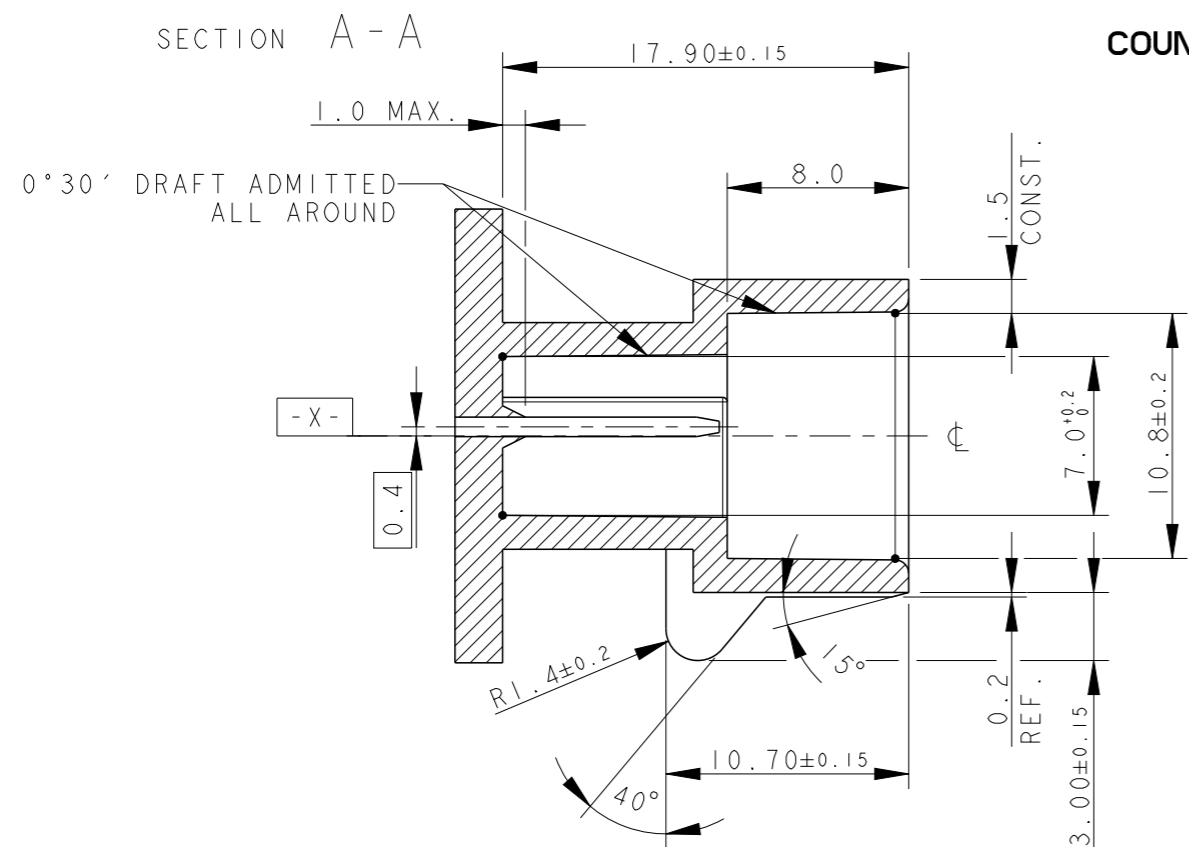
2011

REVISIONS

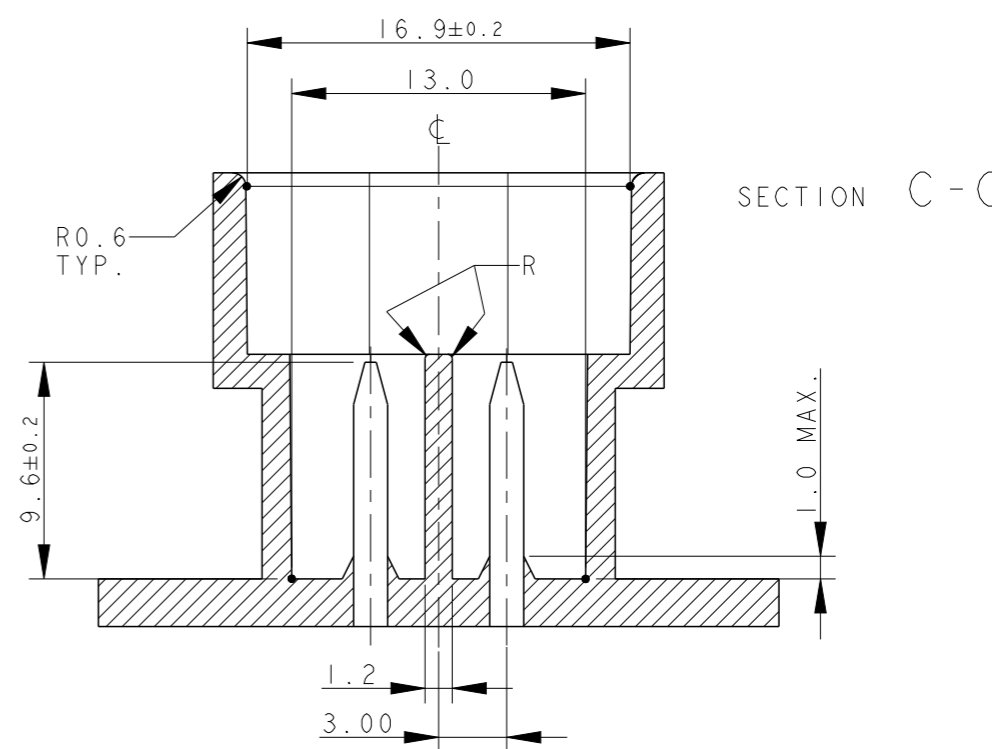
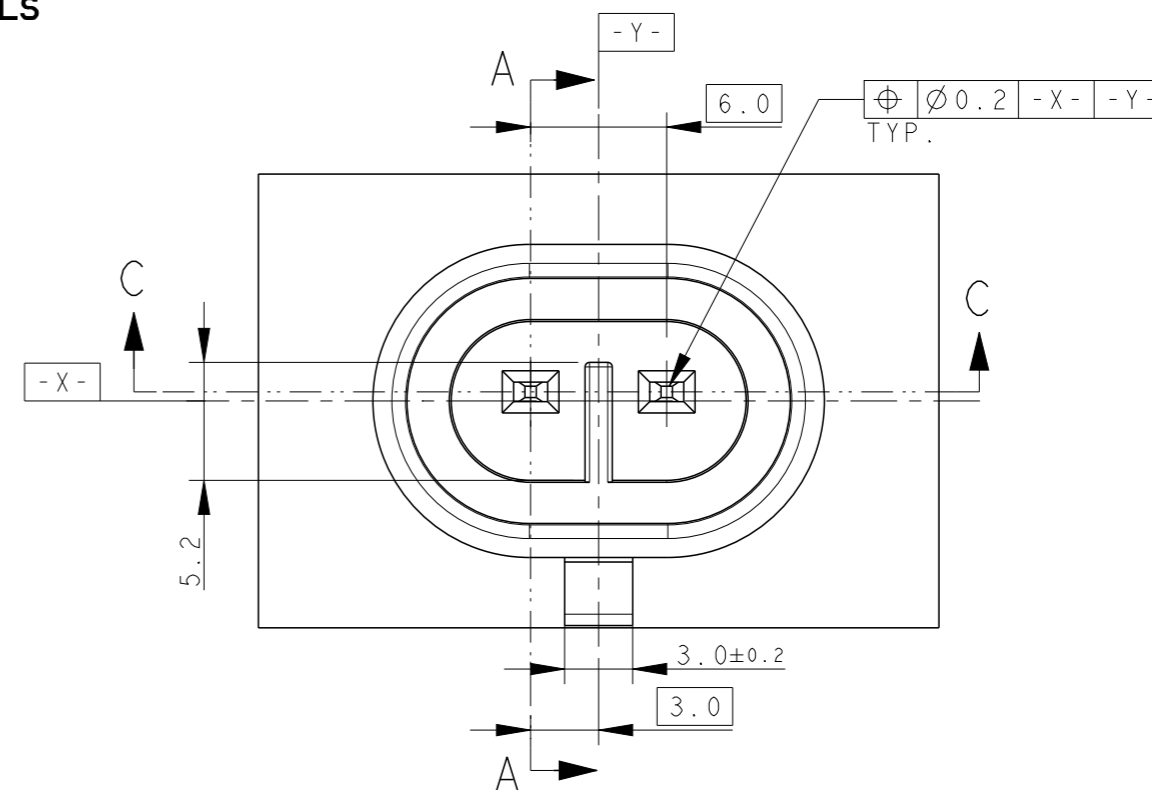
© COPYRIGHT 2011

ALL RIGHTS RESERVED.

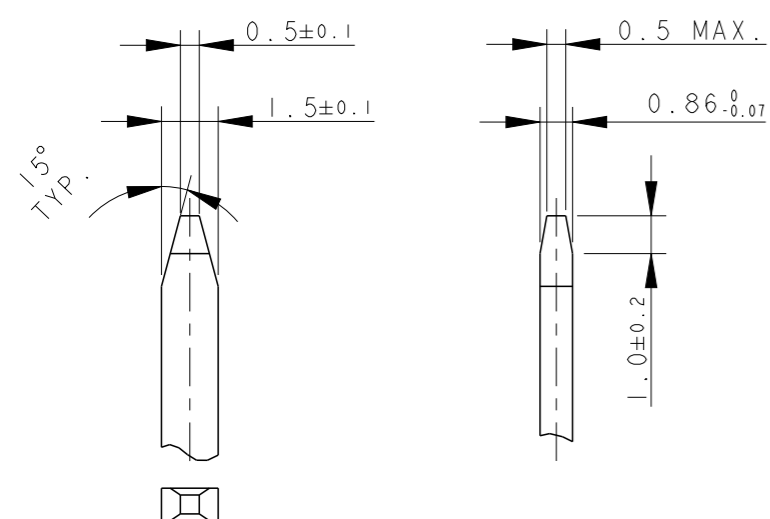
P	LTR	DESCRIPTION	DATE	DWN	APVD
-	-	SEE SHEET 1	-	-	-



COUNTERPART DETAILS



TAB DETAILS



MATERIALS: PA66-GF FOR HOUSING
TIN PLATED BRASS FOR TABS

THIS DRAWING IS A CONTROLLED DOCUMENT.		DWN C. BERTINI 05-1992	STE TE Connectivity	
DIMENSIONS: mm		CHK A. BRUNI 05-1992		
TOLERANCES UNLESS OTHERWISE SPECIFIED:		APVD -	NAME -	
0 PLC ±0.3		PRODUCT SPEC 108-20090	AMP SUPERSEAL 1.5 SRS. 2 POSITIONS PLUG ASS'Y	
1 PLC ±0.1		APPLICATION SPEC 412-20000	SIZE A300779	CAGE CODE G-282080
2 PLC ±0.05		WEIGHT 2.60gr	RESTRICTED TO -	
3 PLC ±		Customer Drawing	SCALE 5:1	SHEET 2 OF 2
4 PLC ±			REV D2	
ANGLES ±2°				
FINISH				