

## SPECIFICATIONS

Rated (额定参数): 300V, 10A  
 Dielectric strength (抗电强度): AC2000V/1 Minute  
 Insulation Resistance (绝缘电阻): 1000MΩ Min  
 Contact Resistance (接触电阻): 20mΩ Max  
 Screw Torque (扭矩): 0.4Nm (3.5Lb.in)  
 Wire Range (线径): 1.2~24AWG  
 Strip length (剥线长度): 6~7mm  
 Temp. range (操作温度): -40°C~+105°C  
 MAX Soldering (瞬时温度): +250°C, 5s

Housing Material (塑件): PA66 (UL94 V-0)  
 Contact (端子): Brass, Tin plating (黄铜镀锡)  
 Clamp (方块): Brass/Steel (铜/铁), Ni plating (镀镍)  
 Screw (螺丝): M2.5, Steel, Zinc plating (钢镀锌)

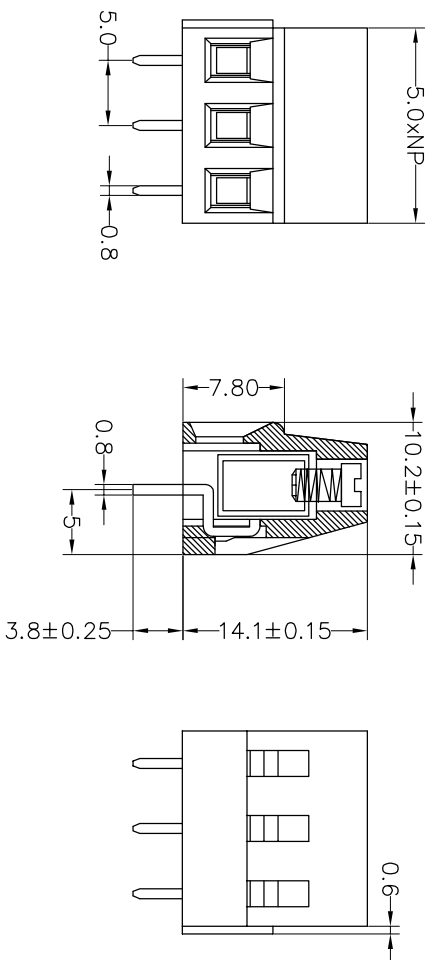
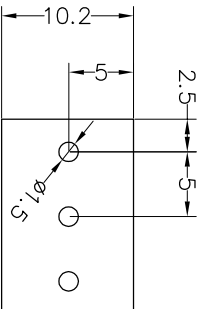
PITCH RANGE IN MM	NOMINAL DIMENSION RANGE IN MM					
	OVER 6	OVER 10	OVER 10	OVER 30	OVER 60	OVER 100
T0	TO	TO	TO	TO	TO	TO
6	10	24	30	60	100	150
±0.10	±0.15	±0.25	±0.30	±0.30	±0.50	±0.70
						±1.00

## Ordering Information

JL 128 - 500 XX X X 1

Pitch 500=5.0PH  
 No. of pins 2P, 3P, 4P~24P  
 Housing Color  
 B=Black  
 G=Green  
 U=Blue  
 R=Red  
 W=White  
 Y=Yellow  
 O=Orange  
 E=Grey  
 Packing  
 O=Pe bog  
 T=Tube  
 A=Troy

Recommended P.C.B Layout(Top Side)



REV	DATE	MODIFICATION DESCRIPTION	CHANGE	OPERATION		DRAW	BEN	17.01.04	SCALE	FIT	PART NO.	TITLE:
				XX	XX							
A0	2017.01.04	NEW DRAWING		X.XX	X.XX	CHECK		mm	A4	1/1	JL 128-500XXXXX1	5.00mm Terminal Blocks Female 180°
1												

**JILIN** 深圳市锦凌电子有限公司  
 SHENZHEN JINLING ELECTRONIC CO.,LTD  
 Tel: 86-755-2997-5806/5802 Fax: 86-755-2997-5992