

# MODULAR JACKS



## RJHSE SERIES RJ45

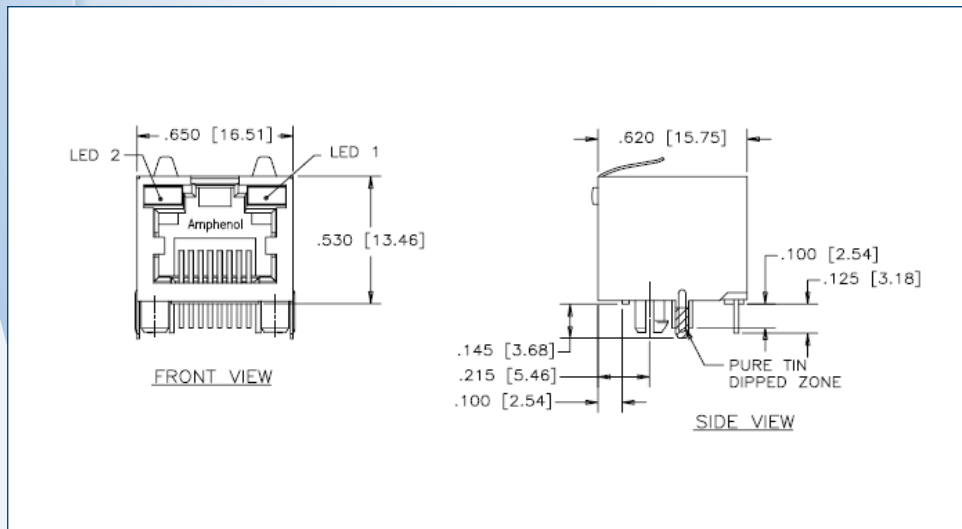


### Specifications:

Contact Resistance: 20 milliohms maximum
Insulation Resistance: 500 Megohms minimum
Current Rating: 1,5 Amps DC maximum
Voltage Rating: 125 Volts AC

### Materials:

Contacts: Phosphor Bronze; Gold over Nickel
Insert: High temp thermoplastic suitable for reflow solder process. Wave solder process recommended for connectors with LED's
Shell: Copper Alloy; Nickel plated with pure tin dipped PCB tail



### Part Numbers:

Part number	Shielding	LED	Number of ports
RJHSE-5080	No	Blocked	Single port
RJHSE-5081	No	Led 1 green, led 2 yellow	Single port
RJHSE-5084-04	No	Led 1 yellow, led 2 green	4 ports
RJHSE-5085	No	Led 1 green, led 2 green	Single port
RJHSE-5085-02	No	Led 1 green, led 2 green	2 ports
RJHSE-5380	Yes	Blocked	Single port
RJHSE-5381	Yes	Led 1 green, led 2 yellow	Single port
RJHSE-5381-04	Yes	Led 1 green, led 2 yellow	4 ports
RJHSE-5382	Yes	Led 1 green	Single port
RJHSE-5384	Yes	Led 1 yellow, led 2 green	Single port
RJHSE-5384-02	Yes	Led 1 yellow, led 2 green	2 ports
RJHSE-5385	Yes	Led 1 green, led 2 green	Single port
RJSSE-5080	No	Blocked	Single port
RJSSE-5380	Yes	Blocked	Single port
RJSSE-5381-02	Yes	Led 1 green, led 2 yellow	2 ports

## RJHSE SERIES RJ45 VERTICAL MOUNT

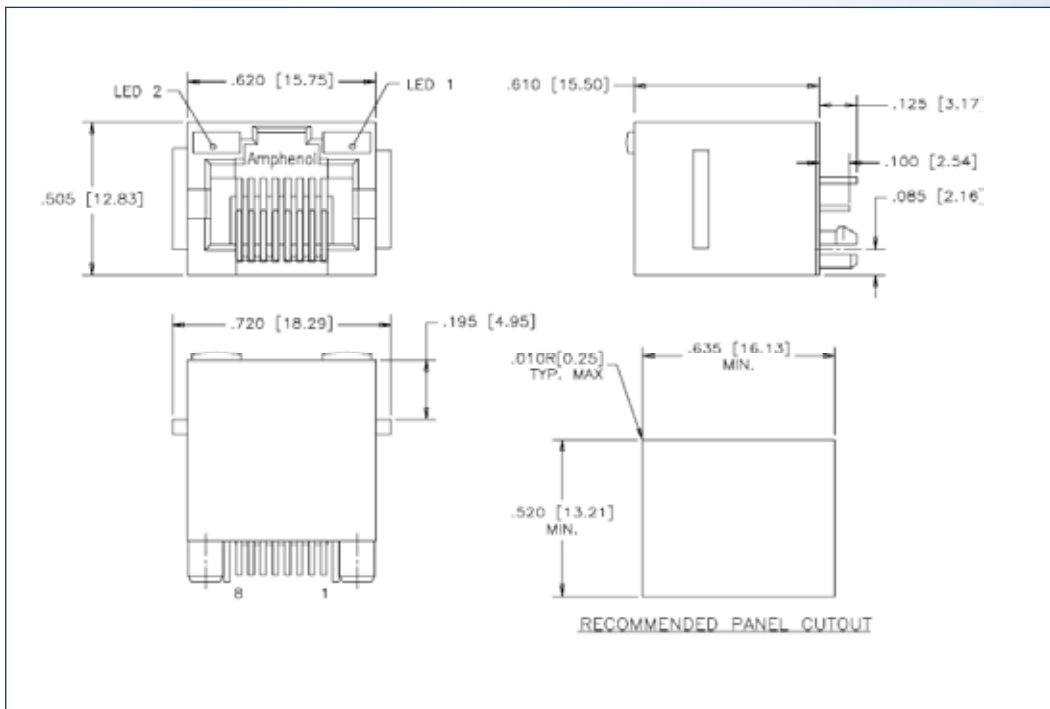


### Specifications:

Contact Resistance: 20 milliohms maximum
Insulation Resistance: 500 Megohms minimum
Current Rating: 1,5 Amps DC maximum
Voltage Rating: 125 Volts AC

### Materials:

Contacts: Phosphor Bronze; Gold over Nickel
Insert: High temp thermoplastic suitable for reflow solder process. Wave solder process recommended for connectors with LED's
Shell: Copper Alloy; Nickel plated with pure tin dipped PCB tail



### Part Numbers:

Part number	Shielding	LED
RJHSE-3080	No	Blocked
RJHSE-3081	No	Led 1 green, led 2 yellow
RJHSE-3085	No	Led 1 green, led 2 green
RJHSE-3380	Yes	Blocked
RJHSE-3381	Yes	Led 1 green, led 2 yellow
RJHSE-338B	Yes	Led 1 + 2 – bi- colour red/green
RJHSE-3384	Yes	Led 1 yellow, led 2 green
RJHSE-3385	Yes	Led 1 green, led 2 green
RJHSE-338A	Yes	Led 1 +2 – bi-colour yellow/green

## RJSAE

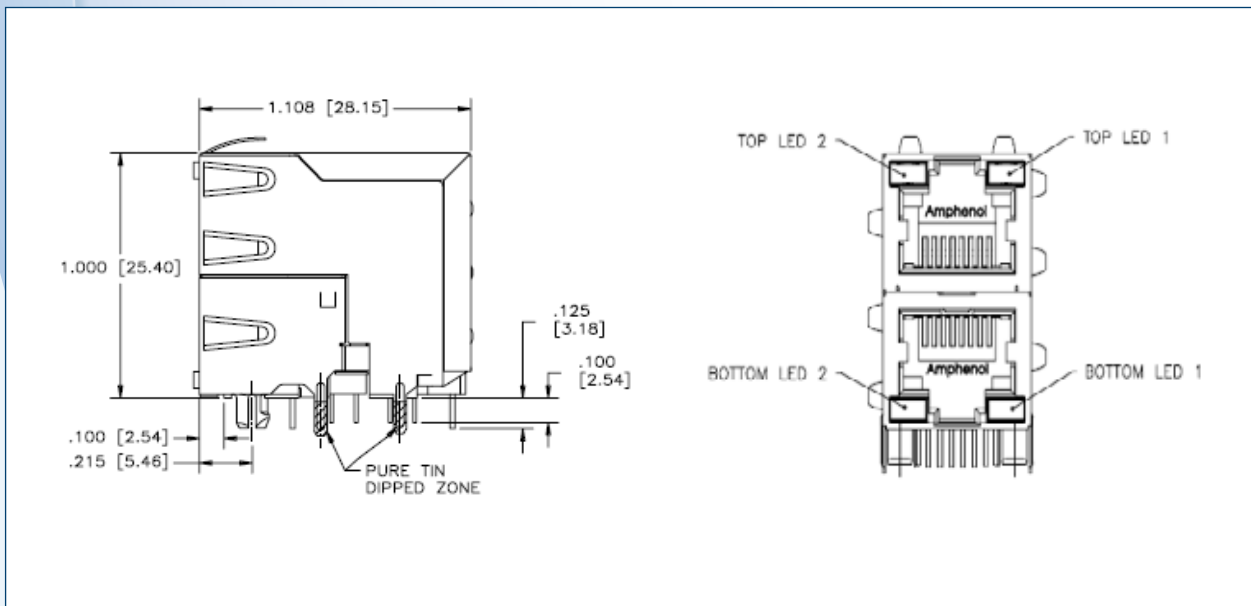


### Specifications:

Contact Resistance: 20 milliohms maximum
Insulation Resistance: 500 Megohms minimum
Current Rating: 1,5 Amps DC maximum
Voltage Rating: 125 Volts AC

### Materials:

Contacts: Phosphor Bronze; Gold over Nickel
Insert: High temp thermoplastic suitable for reflow solder process. Wave solder process recommended for connectors with LED's
Shell: Copper Alloy; Nickel plated with pure tin dipped PCB tail



### Part Numbers:

Part number	Number of ports	LED
RJSAE538102	2 ports (1 over 1)	Led 1 green, led 2 yellow
RJSAE538104	4 ports (2 over 2)	Led 1 green, led 2 yellow
RJSAE538108	8 ports (4 over 4)	Led 1 green, led 2 yellow
RJSAE538A02	2 ports (1 over 1)	Led 1 +2 – bi-colour yellow/green
RJSAE538A04	4 ports (2 over 2)	Led 1 +2 – bi-colour yellow/green
RJSAE538A08	8 ports (4 over 4)	Led 1 +2 – bi-colour yellow/green

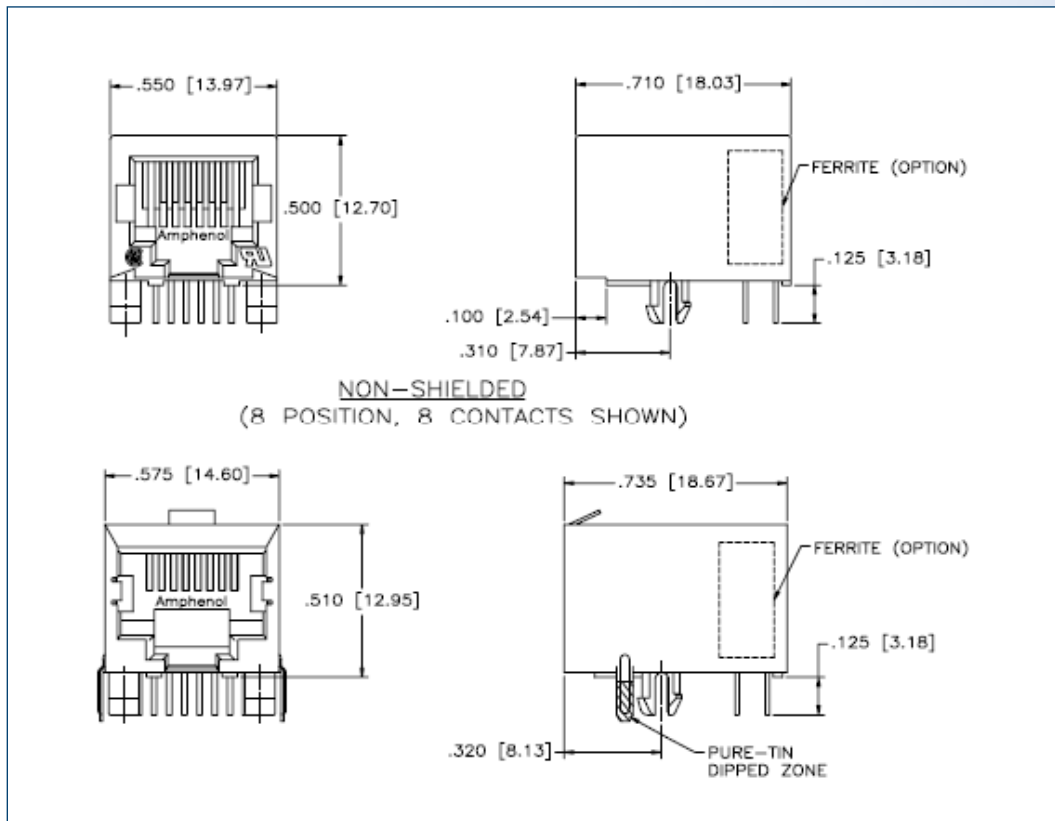
## FRJAE

**Specifications:**

Contact Resistance: 20 milliohms maximum
Insulation Resistance: 500 Megohms minimum
Current Rating: 1,5 Amps
Voltage Rating: 125 Volts AC

**Materials:**

Contacts: Phosphor Bronze; Gold over 30 $\mu$ inches (0.76 microns) over Nickel
Insert: Thermoplastic Polyester (complies with UL 94V-0)
Shield: Copper Alloy Nickel Plated
Filter: High Impedance, High Resistivity, Ferrite Block

**Part Numbers:**

Part number	Options
FRJAE-408	Non filtered, non shielded
FRJAE-418	Filtered with front tab shield
FRJAE-438	Shield (front tab)
FRJAE-468	Filtered with rear tab shield
FRJAE-488	Shielded (rear tab)

## RJMAG SINGLE PORT 10/100

*PTH Cable Latch up, shielded, with side tabs, 5 cores*



### Specifications:

Mating Cycles: 5000 mated/Unmated
Insulator Resistance: 500 M $\Omega$ Min at 500V DC
Dielectric Withstanding Voltage: 1000V AC for 1 minute
Operating Temperature: -0 $^{\circ}$ c to +70 $^{\circ}$ c
Storage Temperature: -40 $^{\circ}$ c to +105 $^{\circ}$ c
Soldering Temperature: -235 $^{\circ}$ c for 5 seconds

### Materials:

RJ Contact: Phosphor Bronze C5210, T=0.25mm
Housing: Thermoplastic, UL94V-0 black
Shielding: Brass, Nickel plated or Stainless Steel

### Part Numbers:

Part number	Termination	LED 1 right	LED 2 left
RJMG163213101NR	4x75ohm, 68pf	Yellow	Green
RJMG163117101NR	4x75ohm, 1000pf	Green	Green
RJMG163217101NR	transmit shunt choke	Yellow	Green
RJMG163118101NR	4x75ohm, 1000pf	Green	Green
RJMG163218101NR		Yellow	Green

## RJMAG SINGLE PORT GIGABIT

LONG BODY, PTH, CABLE LATCH UP, 8 & 12 CORES



### Specifications:

Mating Cycles: 5000 mated/Unmated
Insulator Resistance: 500 M $\Omega$ Min at 500V DC
Dielectric Withstanding Voltage: 1000V AC for 1 minute
Operating Temperature: -0 $^{\circ}$ c to +70 $^{\circ}$ c
Storage Temperature: -40 $^{\circ}$ c to +105 $^{\circ}$ c
Soldering Temperature: -235 $^{\circ}$ c for 5 seconds

### Materials:

RJ Contact: Phosphor Bronze C5210, T=0.25mm
Housing: Thermoplastic, UL94V-0 black
Shielding: Brass, Nickel plated or Stainless Steel

### Part Numbers:

Part number	Termination	Cores	LED 1 right	LED 2 left
RJMG201021110NR	4x75ohm, 1000pf	8	Green	Green
RJMG201021210NR			Green	Yellow
RJMG201021610NR			Green	Green/ Orange
RJMG201022610NR			Yellow	Green/ Orange
RJMG201021120NR		12	Green	Green