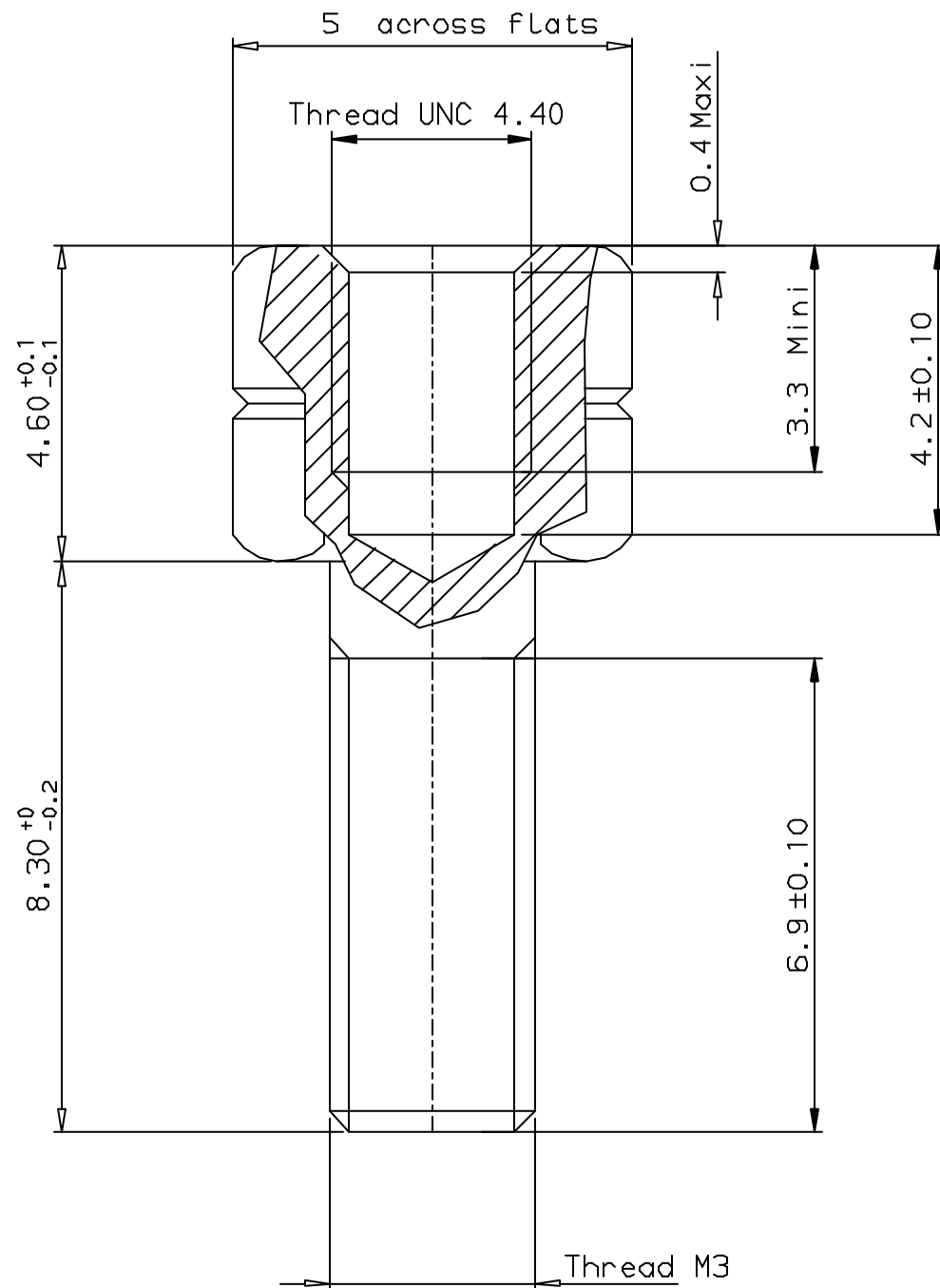


Tous droits strictement réservés. Reproduction ou communication à des tiers interdite sous quelque forme que ce soit sans autorisation écrite du propriétaire. Propriété de FCI. Droits de reproduction FCI.

FCI

All rights strictly reserved. Reproduction or issue to third parties in any form whatever is not permitted without written authority from the proprietor. Property of FCI. Copyright FCI.



TECHNICAL CHARACTERISTICS :

Female screw locks: brass
Packaging : per 1000 pieces .

86551007LF	NOTE 1
86551007TLF	NOTE 2
LEAD FREE PART NUMBER	RoHS NOTE

NOTE1:RoHS INFORMATIONS

- The "LF" product meets European union Directives and other country regulations as described in GS-22-008.
- The product is not intended to be exposed to a manufacturing solder process.
- Plating: Zinc Cr3+, white color.
- Packaging spec: see GS-14-920.

NOTE2:RoHS INFORMATIONS

- The "LF" product meets European union Directives and other country regulations as described in GS-22-008.
- The product is not intended to be exposed to a manufacturing solder process.
- Plating: Sn pure bright over Copper.
- Packaging spec: see GS-14-920.

European view

Ltr	ecn no	dr	date
A	LS05-0123	LG0	12/01/06
-	-	-	-
-	-	-	-
-	-	-	-
-	-	-	-
-	-	-	-

FCI www.fciconnect.com		150 1302	tolerance 150 406 150 1101	projection 	mm
Dr	GOISNARD	12/01/06	Product family	D-SUB 571	size
Eng	PESSON	12/01/06	Spec ref	-	A3
Chr	LEGARE	12/01/06	Material	SEE NOTES	ECN
Appr	LEGARE	12/01/06			LS05-0123
title			FEMALE SCREW LOCKS		Rev.
-			-		A
catalog no			- CUSTOMER COPY		sheet 1 of 1