

**PLEASE CHECK WWW.MOLEX.COM FOR LATEST PART INFORMATION**

**Part Number:** [0050361735](#)  
**Status:** **Active**  
**Overview:** [minifit\\_jr](#)  
**Description:** 4.20mm (.165") Pitch Mini-Fit Jr.™ Plug Housing, Dual Row, with Panel Mount Ears, PA Polyamide Nylon 6/6, UL 94V-0, 4 Circuits, Glow Wire Compatible

**Documents:**

[3D Model](#) [Product Specification PS-5556-001 \(PDF\)](#)  
[Drawing \(PDF\)](#) [RoHS Certificate of Compliance \(PDF\)](#)

**General**

|                |  |
|----------------|--|
| Product Family | Crimp Housings   |
| Series         | <a href="#">5559</a>   |
| Comments       | Current = 13A max. per circuit when header is mated to a receptacle loaded with <a href="#">45750</a> series terminals crimped to 16 AWG wire. . See Molex product specification PS-45750-001 for additional current derating information. |
| Overview       | <a href="#">minifit_jr</a>   |
| Product Name   | Mini-Fit Jr.™  |

**Physical**

|                               |                 |
|-------------------------------|-----------------|
| Breakaway                     | No              |
| Circuits (maximum)            | 4               |
| Color - Resin                 | Black           |
| Gender                        | Plug            |
| Glow-Wire Compliant           | Yes             |
| Keying to Mating Part         | None            |
| Lock to Mating Part           | Yes             |
| Material - Resin              | Nylon           |
| Number of Rows                | 2               |
| Packaging Type                | Bag             |
| Panel Mount                   | Yes             |
| Pitch - Mating Interface (in) | 0.165 In        |
| Pitch - Mating Interface (mm) | 4.20 mm         |
| Pitch - Term. Interface (in)  | 0.165 In        |
| Pitch - Term. Interface (mm)  | 4.20 mm         |
| Polarized to Mating Part      | Yes             |
| Ports                         | 1               |
| Stackable                     | No              |
| Temperature Range - Operating | -40°C to +105°C |

**Electrical**

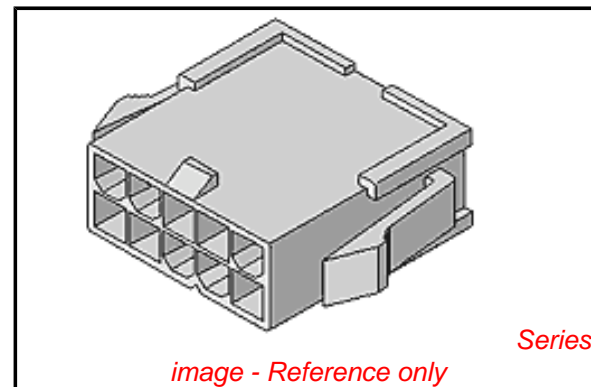
|                               |     |
|-------------------------------|-----|
| Current - Maximum per Contact | 13A |
|-------------------------------|-----|

**Material Info**

|                 |              |
|-----------------|--------------|
| Old Part Number | 5559-04P-225 |
|-----------------|--------------|

**Reference - Drawing Numbers**

|                         |             |
|-------------------------|-------------|
| Packaging Specification | PK-5557-003 |
| Product Specification   | PS-5556-001 |
| Sales Drawing           | SD-5559-425 |
| Test Summary            | TS-5556-002 |



**EU RoHS**

**ELV and RoHS Compliant**  
**REACH SVHC**  
**Contains SVHC: No**  
**Halogen-Free Status**

**China RoHS**



**Need more information on product environmental compliance?**

Email [productcompliance@molex.com](mailto:productcompliance@molex.com)  
 For a multiple part number RoHS Certificate of Compliance, [click here](#)

Please visit the [Contact Us](#) section for any non-product compliance questions.

**Search Parts in this Series**

[5559Series](#)

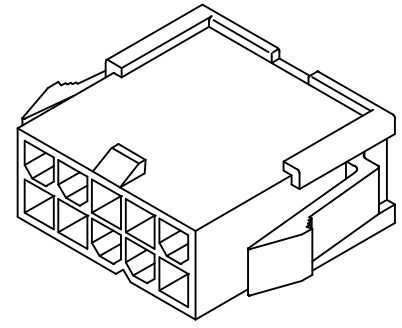
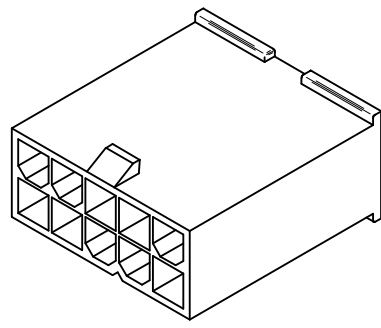
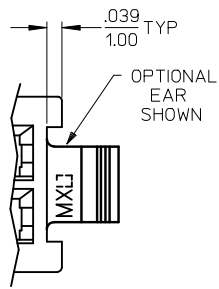
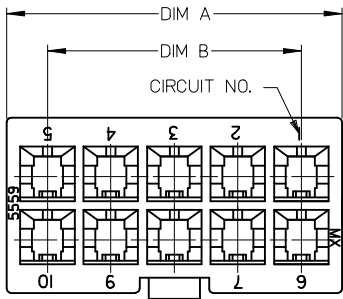
**Mates With**

[5557 Receptacle Housing](#)

**Use With**

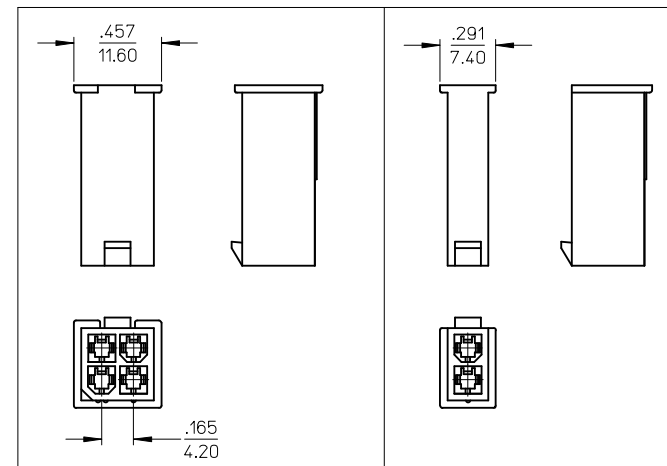
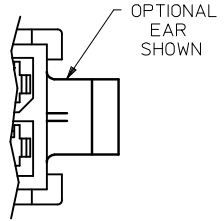
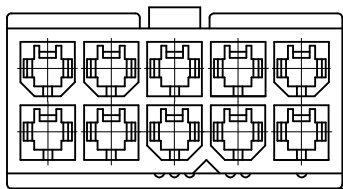
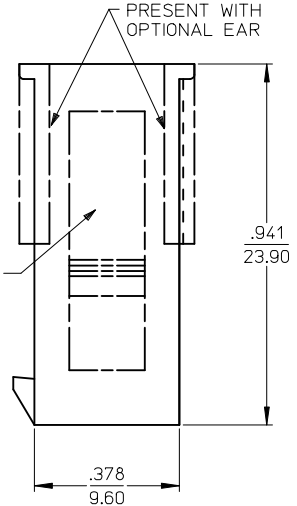
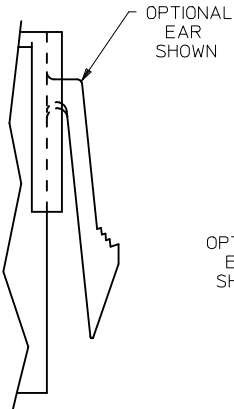
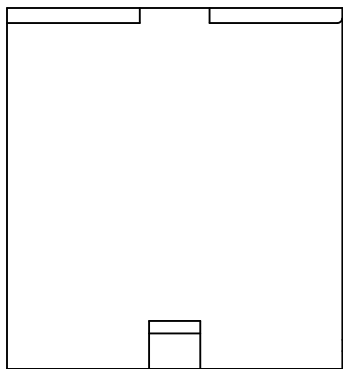
[5558 Male Terminal](#)

**PLEASE CHECK [WWW.MOLEX.COM](http://WWW.MOLEX.COM) FOR LATEST PART INFORMATION**



WITHOUT MOUNTING EARS  
6-24 CIRCUIT  
5559-\*\*P1-225

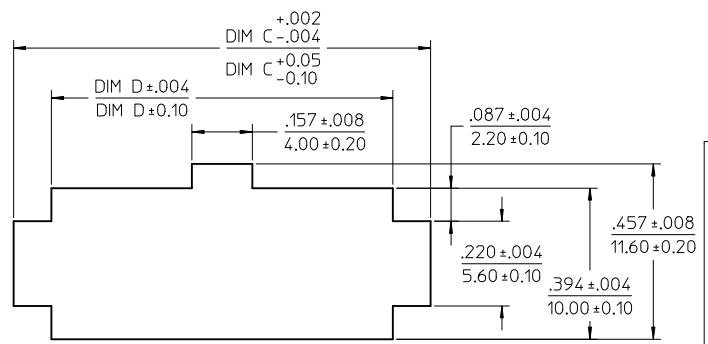
WITH MOUNTING EARS  
2-24 CIRCUIT  
5559-\*\*P-225



|         |    |
|---------|----|
| 2       | A3 |
| 1       | A3 |
| SHT REV |    |

WITHOUT MOUNTING EARS  
4 CIRCUIT  
5559-04P1-225  
SCALE: 2X

WITHOUT MOUNTING EARS  
2 CIRCUIT  
5559-02P1-225  
SCALE: 2X



RECOMMENDED PANEL CUTOUT  
THICKNESS: .032-.079 (0.80-2.00)

|   |                                       |            |            |
|---|---------------------------------------|------------|------------|
| ADDED PART #S<br>EC NO: UCP2010-0974<br>DRWN: JAGUILAR<br>CHKD: JEBEL<br>APPR: FSMITH | 2009/10/14                            | 2009/10/20 | 2009/10/20 |
|   | DESCRIPTION                           |            |            |
|   | QUALITY SYMBOLS                       | ▽=0        | ▽=0        |
|   | GENERAL TOLERANCES (UNLESS SPECIFIED) |            |            |
|   | ANGULAR                               | ±1/2°      |            |

|  |  |            |  |
|--|--|------------|--|
| DRAWN BY   |  | DATE       |  |
| LSCHMIDT   |  | 2007/04/25 |  |
| CHECKED BY   |  | DATE       |  |
| ADERR  |  | 2007/04/27 |  |
| APPROVED BY  |  | DATE       |  |
| FSMITH   |  | 2007/05/04 |  |
| MATERIAL NO.   |  |            |  |
| SEE SHEET 2  |  |            |  |
| DRAFT WHERE APPLICABLE MUST REMAIN WITHIN DIMENSIONS |  |            |  |

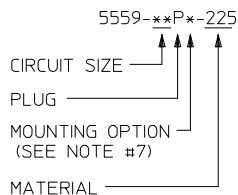
|                 |  |            |  |
|-----------------|--|------------|--|
| DIMENSION STYLE |  | SCALE      |  |
| IN/MM           |  | 4:1        |  |
| DRAWN BY        |  | DATE       |  |
| LSCHMIDT        |  | 2007/04/25 |  |
| CHECKED BY      |  | DATE       |  |
| ADERR           |  | 2007/04/27 |  |
| APPROVED BY     |  | DATE       |  |
| FSMITH          |  | 2007/05/04 |  |
| MATERIAL NO.    |  |            |  |
| SEE SHEET 2     |  |            |  |

|   |  |                        |  |
|---|--|------------------------|--|
| DESIGN UNITS  |  | THIRD ANGLE PROJECTION |  |
| METRIC  |  | ☉                      |  |
| TITLE   |  |                        |  |
| MINI-FIT JR PLUG  |  |                        |  |
| 2-24 CIRCUIT DUAL ROW   |  |                        |  |
| W/ & W/O EARS GLOW WIRE   |  |                        |  |
| MOLEX INCORPORATED  |  | SHEET NO.              |  |
| DOCUMENT NO.  |  | 1 OF 2                 |  |
| SD-5559-425   |  |                        |  |
| THIS DRAWING CONTAINS INFORMATION THAT IS PROPRIETARY TO MOLEX INCORPORATED AND SHOULD NOT BE USED WITHOUT WRITTEN PERMISSION |  |                        |  |

|   | 13          | 12              | 11       | 10              | 9           | 8             | 7              | 6              | 5                       | 4 | 3 | 2 | 1 |
|---|-------------|-----------------|----------|-----------------|-------------|---------------|----------------|----------------|-------------------------|---|---|---|---|
| J | PART NUMBER | ENGINEERING NO. | CKT SIZE | MOUNTING OPTION | DIM "A"     | DIM "B"       | DIM "C"        | DIM "D"        | PACKAGING SPECIFICATION |   |   |   |   |
|   | 50-36-1678  | 5559-02P1-225   | 02       | WITHOUT EARS    | SEE SHEET 1 | --            | NOT APPLICABLE | NOT APPLICABLE | PK-5559-002             |   |   |   |   |
|   | 50-36-1679  | 5559-04P1-225   | 04       | WITHOUT EARS    | SEE SHEET 1 | .165 / 4.20   | NOT APPLICABLE | NOT APPLICABLE |                         |   |   |   |   |
|   | 50-36-1675  | 5559-06P1-225   | 06       | WITHOUT EARS    | .54 / 13.8  | .331 / 8.40   | NOT APPLICABLE | NOT APPLICABLE |                         |   |   |   |   |
|   | 50-36-1737  | 5559-08P1-225   | 08       | WITHOUT EARS    | .71 / 18.0  | .496 / 12.60  | NOT APPLICABLE | NOT APPLICABLE |                         |   |   |   |   |
|   | 50-36-1738  | 5559-10P1-225   | 10       | WITHOUT EARS    | .87 / 22.2  | .661 / 16.80  | NOT APPLICABLE | NOT APPLICABLE |                         |   |   |   |   |
|   | 26-01-3096  | 5559-12P1-225   | 12       | WITHOUT EARS    | 1.04 / 26.4 | .827 / 21.00  | NOT APPLICABLE | NOT APPLICABLE |                         |   |   |   |   |
| I | NOT TOOLED  | 5559-14P1-225   | 14       | WITHOUT EARS    | 1.21 / 30.6 | .992 / 25.20  | NOT APPLICABLE | NOT APPLICABLE |                         |   |   |   |   |
|   | 50-36-1676  | 5559-16P1-225   | 16       | WITHOUT EARS    | 1.37 / 34.8 | 1.158 / 29.40 | NOT APPLICABLE | NOT APPLICABLE |                         |   |   |   |   |
|   | 50-36-1677  | 5559-18P1-225   | 18       | WITHOUT EARS    | 1.54 / 39.0 | 1.323 / 33.60 | NOT APPLICABLE | NOT APPLICABLE |                         |   |   |   |   |
|   | NOT TOOLED  | 5559-20P1-225   | 20       | WITHOUT EARS    | 1.70 / 43.2 | 1.488 / 37.80 | NOT APPLICABLE | NOT APPLICABLE |                         |   |   |   |   |
|   | NOT TOOLED  | 5559-22P1-225   | 22       | WITHOUT EARS    | 1.87 / 47.4 | 1.654 / 42.00 | NOT APPLICABLE | NOT APPLICABLE |                         |   |   |   |   |
| H | NOT TOOLED  | 5559-24P1-225   | 24       | WITHOUT EARS    | 2.03 / 51.6 | 1.819 / 46.20 | NOT APPLICABLE | NOT APPLICABLE | PK-5559-002             |   |   |   |   |
|   | 50-36-1734  | 5559-02P-225    | 02       | WITH EARS       | .21 / 5.4   | --            | .425 / 10.80   | .228 / 5.80    | BULK                    |   |   |   |   |
|   | 50-36-1735  | 5559-04P-225    | 04       | WITH EARS       | .38 / 9.6   | .165 / 4.20   | .591 / 15.00   | .394 / 10.00   | BULK                    |   |   |   |   |
|   | 50-36-1736  | 5559-06P-225    | 06       | WITH EARS       | .54 / 13.8  | .331 / 8.40   | .756 / 19.20   | .559 / 14.20   | BULK                    |   |   |   |   |
|   | 50-36-1716  | 5559-08P-225    | 08       | WITH EARS       | .71 / 18.0  | .496 / 12.60  | .921 / 23.40   | .724 / 18.40   | BULK                    |   |   |   |   |
| G | 50-36-1739  | 5559-10P-225    | 10       | WITH EARS       | .87 / 22.2  | .661 / 16.80  | 1.087 / 27.60  | .890 / 22.60   | BULK                    |   |   |   |   |
|   | 50-36-1869  | 5559-12P-225    | 12       | WITH EARS       | 1.04 / 26.4 | .827 / 21.00  | 1.252 / 31.80  | 1.055 / 26.80  | BULK                    |   |   |   |   |
|   | 50-36-1876  | 5559-14P-225    | 14       | WITH EARS       | 1.21 / 30.6 | .992 / 25.20  | 1.417 / 36.00  | 1.224 / 31.10  | BULK                    |   |   |   |   |
|   | 50-36-2273  | X 5559-16P-225  | 16       | WITH EARS       | 1.37 / 34.8 | 1.158 / 29.40 | 1.583 / 40.20  | 1.390 / 35.30  | BULK                    |   |   |   |   |
|   | NOT TOOLED  | 5559-18P-225    | 18       | WITH EARS       | 1.54 / 39.0 | 1.323 / 33.60 | 1.748 / 44.40  | 1.555 / 39.50  | BULK                    |   |   |   |   |
|   | NOT TOOLED  | 5559-20P-225    | 20       | WITH EARS       | 1.70 / 43.2 | 1.488 / 37.80 | 1.913 / 48.60  | 1.720 / 43.70  | BULK                    |   |   |   |   |
| F | NOT TOOLED  | 5559-22P-225    | 22       | WITH EARS       | 1.87 / 47.4 | 1.654 / 42.00 | 2.079 / 52.80  | 1.886 / 47.90  | BULK                    |   |   |   |   |
|   | NOT TOOLED  | 5559-24P-225    | 24       | WITH EARS       | 2.03 / 51.6 | 1.819 / 46.20 | 2.244 / 57.00  | 2.051 / 52.10  | BULK                    |   |   |   |   |

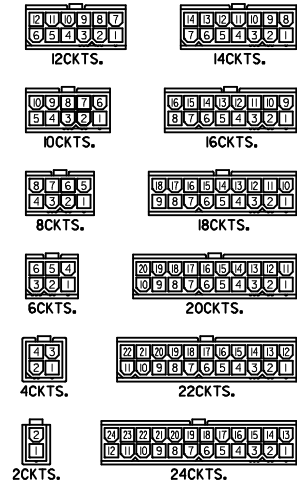
X = NOT TOOLED

**LEGEND**



**NOTES:**

- 1) MATERIAL:  
\*225\* = NYLON (PA6), UL94V-0, COLOR: BLACK; IEC 60335-1, 4th EDITION GLOW WIRE CAPABLE.
- 2) FINISH: NOT APPLICABLE
- 3) PRODUCT SPECIFICATION: PS-5556-001
- 4) PACKAGING: SEE CHART
- 5) PART MATES WITH MOLEX RECEPTACLE #5557.
- 6) PART TO BE USED WITH MOLEX MALE TERMINAL #5558.
- 7) MOUNTING OPTIONS:  
"BLANK" = WITH EARS  
"1" = WITHOUT EARS
- 8) PART IS NOT DESIGNED FOR CURRENT SHARING.
- 9) CONNECTORS ARE NOT TO BE MATED OR UNMATED WHILE CIRCUITS ARE LIVE.
- 10) WIRES ARE TO BE DRESSED IN SUCH A MANNER TO ALLOW THE TERMINALS TO FLOAT FREELY IN THE POCKET.
- 11) PART CONFORMS TO CLASS "B" REQUIREMENTS OF COSMETIC SPECIFICATION PS-45499-002 WITH THE EXCEPTION OF DISCOLORATION, FLASH AND SINK MEET CLASS "C" REQUIREMENTS.



REFERENCE FOR CIRCUIT NUMBER ORIENTATION (OPTIONAL EARS NOT SHOWN)

|   |                            |   |   |                                 |                    |  |                               |                               |  |  |  |
|---|----------------------------|---|---|---------------------------------|--------------------|--|-------------------------------|-------------------------------|--|--|--|
| <b>ADD PART #S</b><br>EC NO: UCP2010-0974<br>DRWNG: JAGUILAR 2009/10/14<br>CHKD: JEBEL 2009/10/20<br>APPR: FSMITH 2009/10/20<br>REV: A3 | <b>QUALITY SYMBOLS</b><br> | <b>GENERAL TOLERANCES (UNLESS SPECIFIED)</b>  |   | <b>DIMENSION STYLE</b><br>IN/MM |                    | <b>SCALE</b><br>---  | <b>DESIGN UNITS</b><br>METRIC | <b>THIRD ANGLE PROJECTION</b> |  |  |  |
|   |                            | 4 PLACES ± --- INCH<br>3 PLACES ± --- INCH<br>2 PLACES ± --- INCH<br>1 PLACE ± --- INCH | 4 PLACES ± --- mm<br>3 PLACES ± --- mm<br>2 PLACES ± --- mm<br>1 PLACE ± --- mm | DRAWN BY<br>LSCHMIDT            | DATE<br>2007/04/25 | <b>TITLE</b><br>MINI-FIT JR PLUG<br>2-24 CIRCUIT DUAL ROW<br>W/ & W/O EARS GLOW WIRE   |                               | <b>MOLEX INCORPORATED</b>     |  |  |  |
|   |                            | ANGULAR ± ---°  |   | APPROVED BY<br>FSMITH           | DATE<br>2007/05/04 | <b>DOCUMENT NO.</b><br>SD-5559-425   |                               | <b>SHEET NO.</b><br>2 OF 2    |  |  |  |
|   |                            | <b>DRAFT WHERE APPLICABLE MUST REMAIN WITHIN DIMENSIONS</b>                             |   | <b>SEE CHART</b>                |                    | <b>THIS DRAWING CONTAINS INFORMATION THAT IS PROPRIETARY TO MOLEX INCORPORATED AND SHOULD NOT BE USED WITHOUT WRITTEN PERMISSION</b> |                               |                               |  |  |  |