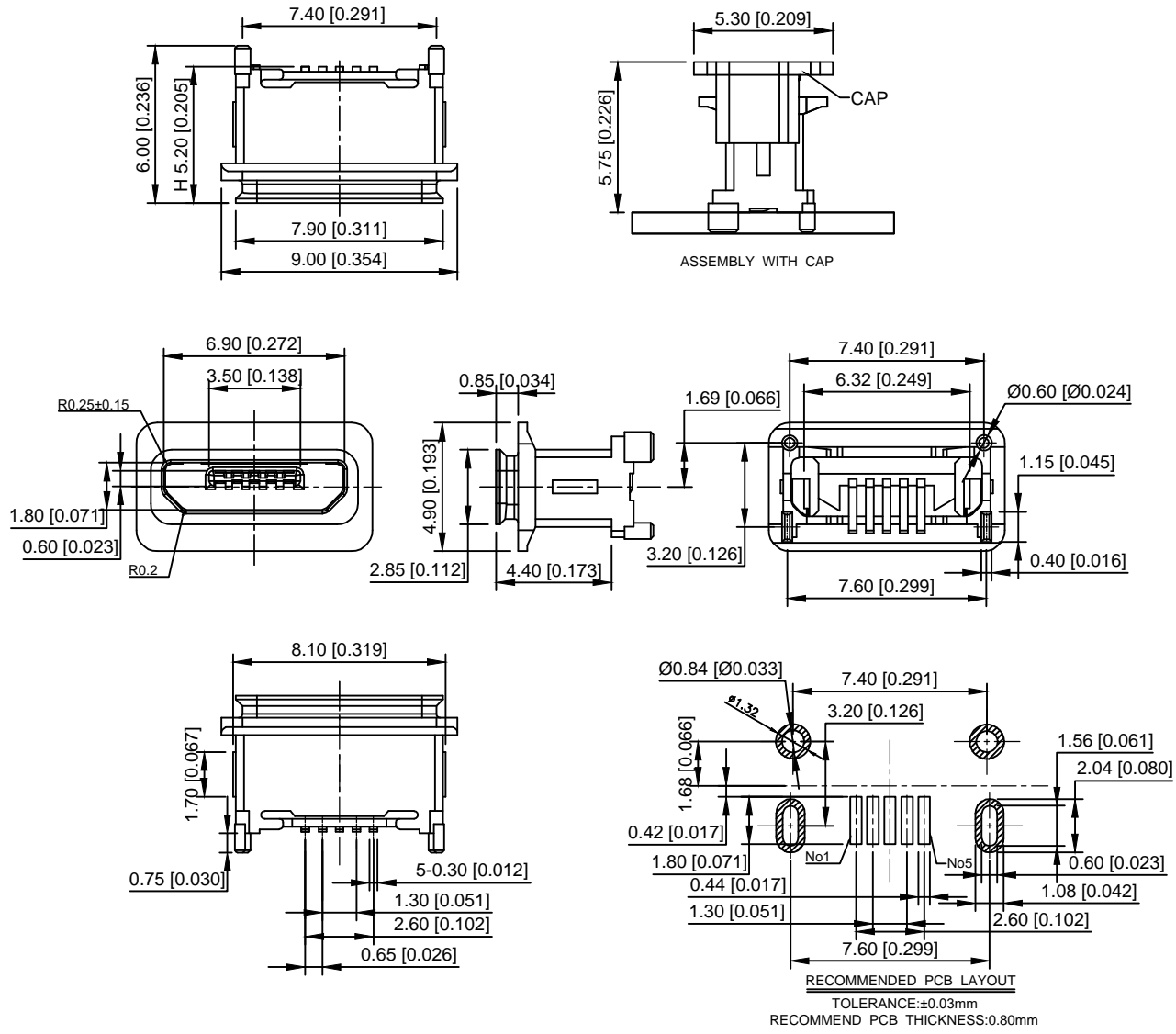


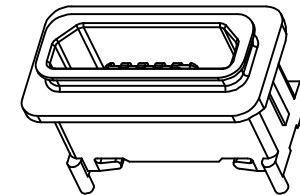
XKB Connectivity



XKB Connectivity

- NOTES:
- MATERIAL:
HOUSING: THERMOPLASTIC HIGH-TEMP UL94V-0 BLACK COLOR.
CONTACT: COPPER ALLOY
SHELL: STAINLESS STEEL.
 - FINISH:
CONTACT: SEE TABLE 1.
OUT SHELL: 50u"Min. NICKEL ALL OVER
 - APPLIED TO IR SOLDERING PROCESS.
 - SPECIFICATION:
4.1. ELECTRICAL CHARACTERISTICS
CONTACT CURRENT RATING: Signal pin 1A, Power pin 1.8A
VOLTAGE RATING: 30V AC rms.
CONTACT RESISTANCE: 30mΩ MAX.
DIELECTRIC WITHSTANDING VOLTAGE:
UNMATEP CONTACT 100V AC rms. 60MHZ FOR 1 MINUTE.
INSULATION RESISTANCE: 1000MQ MIN. 100V DC
TEMPERATURE RANGE: -30 TO +85
 - MECHANICAL:
INSERTION FORCE: 35N MAX.
WITHDRAWAL FORCE: 8N~25N.
DURABILITY: 10.000 CYCLES

U-E-M8SS-W-1
1:G/F 2:5u" 3:10u"
4:15u" 5:30u"

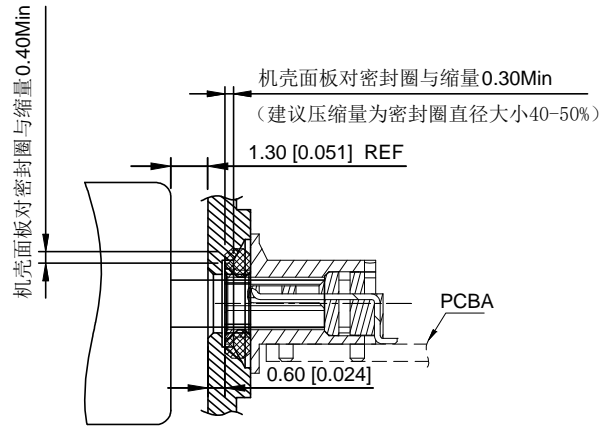


IP-X8

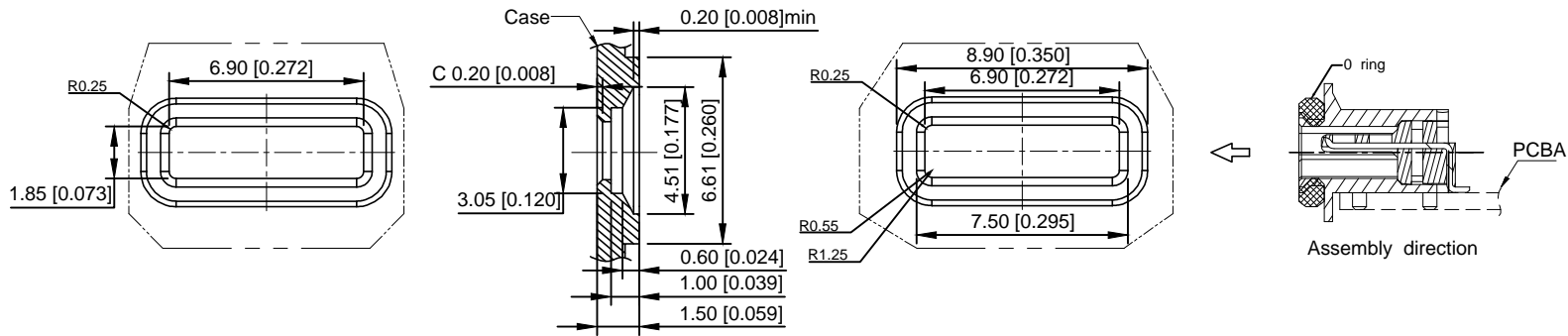
XKB Connectivity

					ANGLAR	±5°	DSND		DATE		SCALE: N/A	MODEL TYPE: MICRO USB		
					L ≤ 4	±0.2	DWN		DATE		VIEW:	PART NO.: U-E-M8SS-W-1		
					4 < L ≤ 16	±0.3	CHKD		DATE		UNIT: mm/in	DWG NO.: U-E-M8SS-W-1		
					16 < L ≤ 63	±0.4	APPD		DATE		SIZE: A4			
					L > 63	±0.5						WEIGHT	SHEET	REVISION
					UNSPECIFIED TOLERANCES		XKB INDUSTRIAL PRECISION CO., LIMITED					1.0g	1/1	A0
MARK	DESCRIPTION	DATE	REVISED	APPROVED										
REVISIONS														
www.xk-dg.cn www.helloxkb.com www.helloxkb.cn														

XKB Connectivity

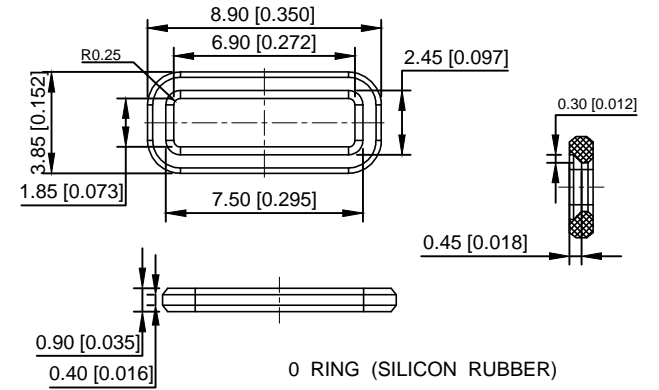


COMPRESSION RATIO TO BE 40%-50%



RECOMMENDED OPEN DIMENSION OF CASE

TOLERANCE: ±0.03mm
MATTING AREA WITH SEALING RING



XKB Connectivity

					ANGLAR	±5°	DSND		DATE		SCALE: N/A	MODEL TYPE: MICRO USB		
ΔX					L ≤ 4	±0.2	DWN		DATE		VIEW:	PART NO.: U-E-M8SS-W-1		
ΔX					4 < L ≤ 16	±0.3	CHKD		DATE		UNIT: mm/in	DWG NO.: U-E-M8SS-W-1		
ΔX					16 < L ≤ 63	±0.4	APPD		DATE		SIZE: A4			
MARK	DESCRIPTION	DATE	REVISED	APPROVED	L > 63	±0.5						WEIGHT	SHEET	REVISION
					UNSPECIFIED TOLERANCES		XKB INDUSTRIAL PRECISION CO., LIMITED					1.0g	1/1	A0
www.xk-dg.cn www.helloxkb.com www.helloxkb.cn														