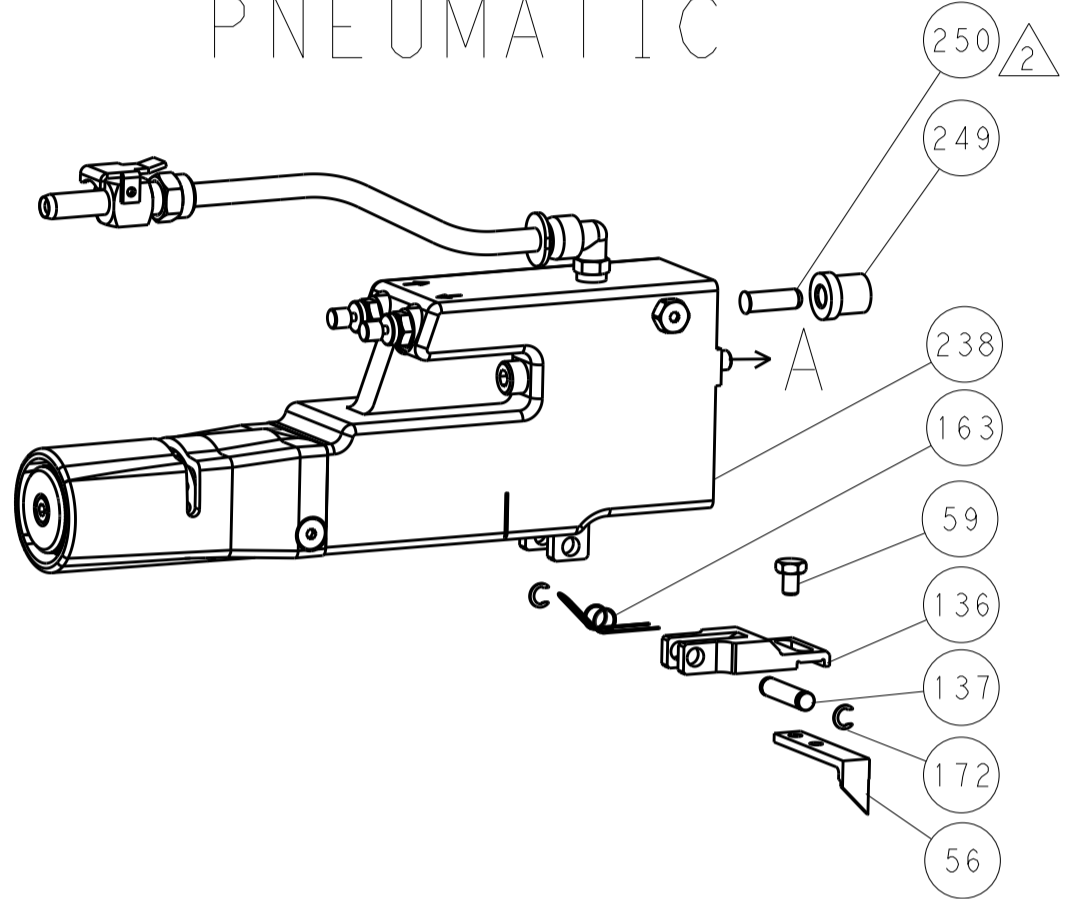


LOC		DIST		REVISIONS			
A	66	P	LTM	DESCRIPTION	DATE	OWN	APVD
		-		SEE SHEET 1			

FEED TYPE MECHANICAL



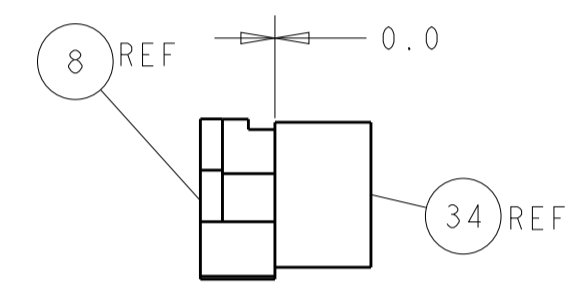
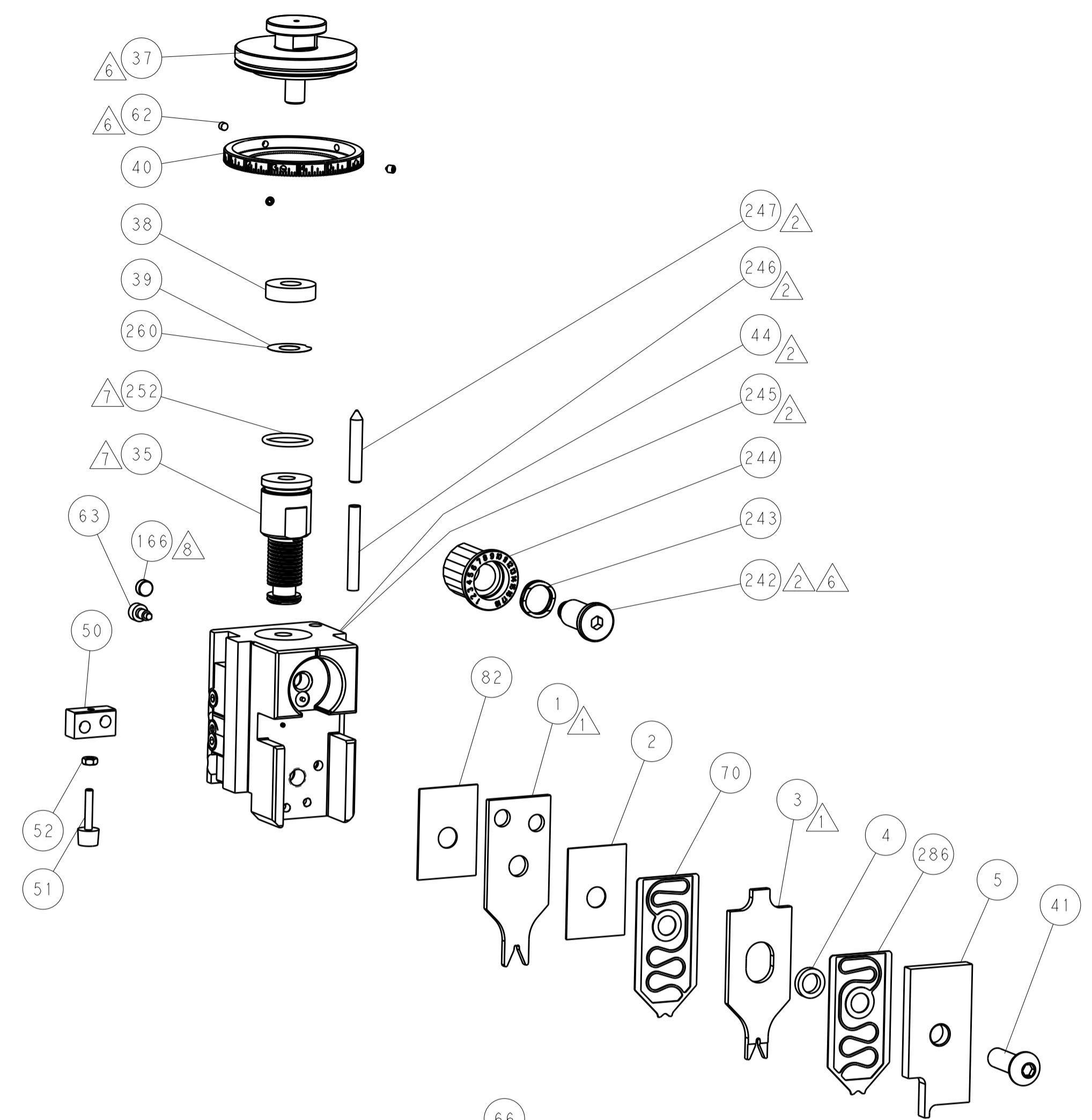
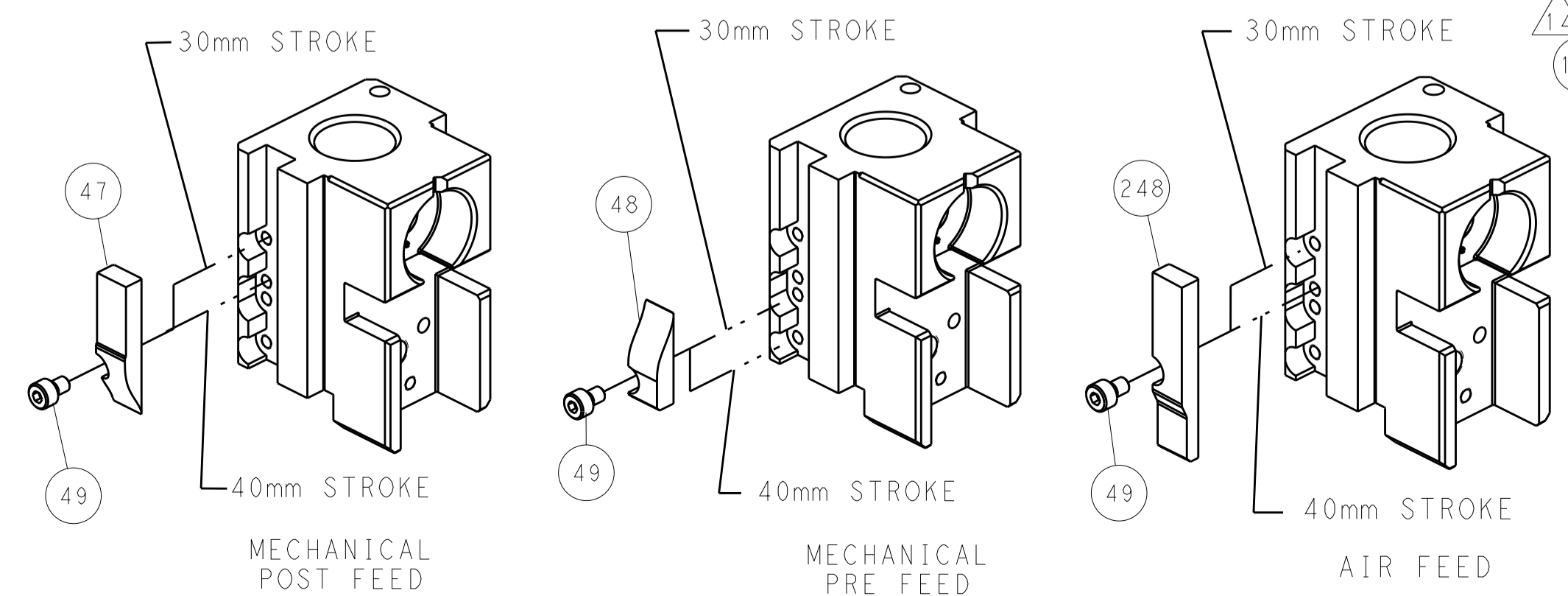
PNEUMATIC



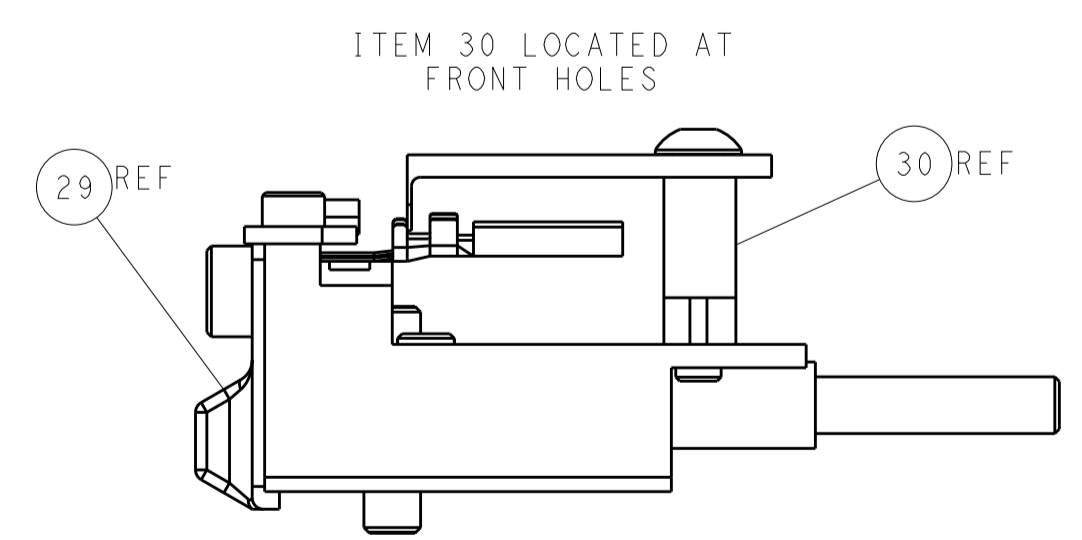
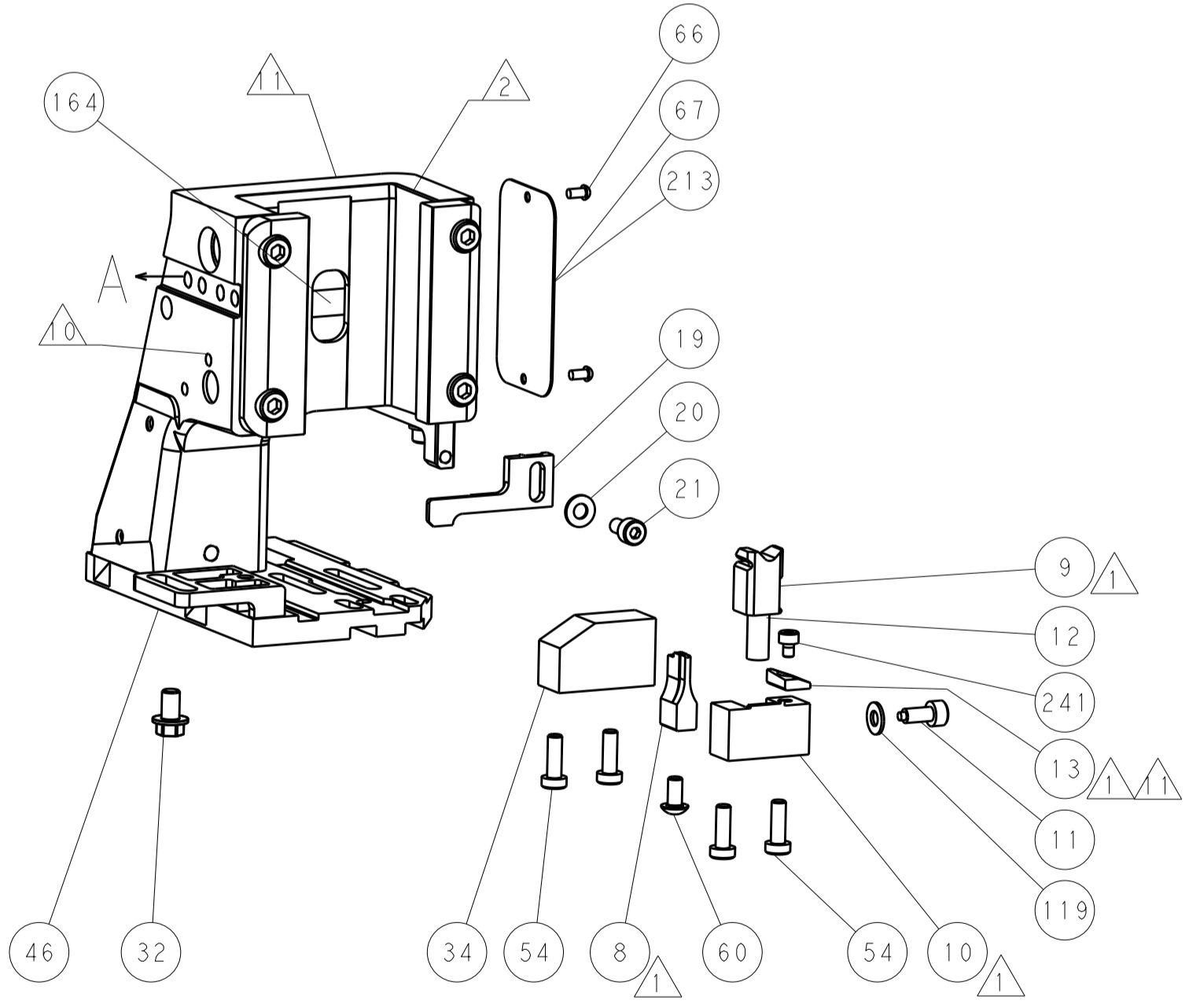
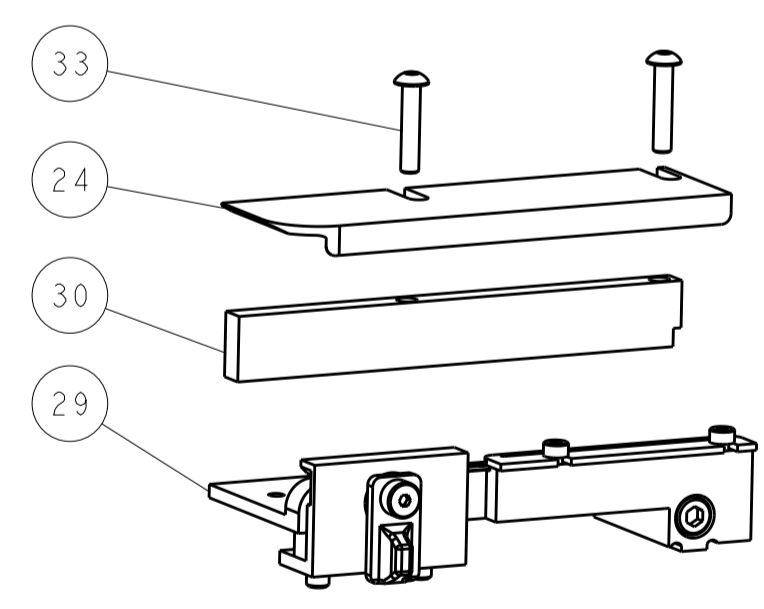
SERVO LATCH PLATE



CAM POSITIONS



TERMINAL SUPPORT LOCATION



ITEM 30 LOCATED AT FRONT HOLES

FEED TRACK POSITION GUIDE BY INSULATION BARREL

ATLANTIC VERSION
 Shown on sheets 1 of 4 & 2 of 4
 (Pacific version shown on sheets 3 of 4 & 4 of 4)

DIMENSIONS:		TOLERANCES UNLESS OTHERWISE SPECIFIED:		DWG: R. KNEPPER 04-Oct-13		TE Connectivity	
mm	0 PLC ±	1 PLC ±	2 PLC ±	3 PLC ±	4 PLC ±	5 PLC ±	Harrisburg, PA 17105-3608
MATERIAL:		FINISH:		CHK: G. BAILEY 04-Oct-13		NAME: Ocean Side Feed Applicator	
				APVD: M. CLIFFORD 04-Oct-13		RESTRICTED TO:	
				PRODUCT SPEC:		SIZE: CAGE CODE: DRAWING NO:	
				APPLICATION SPEC:		A1 00779 ©=2266104	
				WEIGHT:		SCALE: 1:2 SHEET 2 OF 4 REV: B3	
				Customer Accessible Production Drawing		SHEETS 3 & 4 ARE NOT REQUIRED FOR ATLANTIC VERSION	

PART NUMBER	REVISION	DESCRIPTION	FEED TYPE
2-2266104-1	B	FINE CRIMP HEIGHT ADJUST	MECHANICAL
2-2266104-2	B	FINE CRIMP HEIGHT ADJUST	PNEUMATIC
2-2266104-5	B	FINE CRIMP HEIGHT ADJUST	SERVO LATCH PLATE
2-2266104-7	B	FINE CRIMP HEIGHT ADJUST	NONE
7-2266104-7	B	CRIMP TOOLING KIT	-
7-2266104-8	B	APPLICATOR CONVERSION KIT	-

APPLICATOR DATA		
CRIMP	SIZE	TYPE
WIRE	2.29 mm [.090]	F
INSUL	1.73 mm [.068]	O
APPLICATOR INSTRUCTIONS 408-10389		

APPLICATOR CONVERSION KITS	
PART NUMBER	INSULATION DIAMETER RANGE
7-2266100-8	Ø 3.05-3.81mm [.120-.150]
7-2266101-8	Ø 2.67-3.02mm [.105-.119]
7-2266102-8	Ø 2.26-2.64mm [.089-.104]
7-2266103-8	Ø 1.93-2.24mm [.076-.088]
7-2266104-8	Ø 1.60-1.91mm [.063-.075]

TERMINAL DATA: DEUTSCH TERMINAL TE CRIMP SPECIFICATION			
TERMINAL NAME: STAMPED CONTACT PIN SIZE 16			
WIRE STRIP LENGTH		INSULATION DIAMETER RANGE	
3.81-5.09 mm [.150-.200 IN]		Ø 1.60-1.91 mm [.063-.075 IN]	
TERMINAL APPLICATION SPECIFICATION	114-151000		
TERMINALS APPLIED			
TE TERMINAL	DEUTSCH TERMINAL	TE TERMINAL	DEUTSCH TERMINAL
286503-1	1060-16-0122	286503-2	1060-16-0144
286503-3	1060-16-0177	286503-7	1060-16-0722
286503-8	1060-16-0744	286503-9	1060-16-0777
1-286503-1	1060-16-0977	1-286503-2	1060-16-0988
1-286503-4	AT60-16-0122	1-286503-5	AT60-16-0144

WIRE SIZE	CRIMP HEIGHT mm [INCH]	CRIMP HEIGHT REFERENCE SETTING
1.50mm2	1.35+0.03/-0.05 [.053+.001/- .002]	5.2
16 AWG	1.27+0.03/-0.05 [.050+.001/- .002]	6.0
1.00mm2	1.27+0.03/-0.05 [.050+.001/- .002]	6.0
18 AWG	1.24+0.03/-0.05 [.049+.001/- .002]	6.2
0.75mm2	1.22+0.03/-0.05 [.048+.001/- .002]	6.4

- RECOMMENDED SPARE PARTS
- GREASE BEARING SURFACES LIGHTLY
- LUBRICATE DAILY PER THE APPLICATOR INSTRUCTION SHEET SUPPLIED WITH THE APPLICATOR.
- APPLICATOR SPECIFIC DATA TO BE ENTERED INTO BLANK MEMORY CHIP AT ASSEMBLY. SEE BELOW FOR PART NUMBER:
 MECHANICAL FEED WITH "SMART APPLICATOR" CONVERSION: 8-2266104-4
 PNEUMATIC FEED WITH "SMART APPLICATOR" CONVERSION: 8-2266104-4
 SERVO FEED WITH "FINE CRIMP HEIGHT ADJUST": 8-2266104-5
- ADJUSTMENT OF THE STRIPPER MAY BE REQUIRED WHEN MOVING THE APPLICATOR BETWEEN BENCH AND LEADMAKER APPLICATIONS.
- APPLY PART NUMBER 1-23419-5 LOCTITE TO THREADS OF ITEM 62.
 APPLY PART NUMBER 2-23419-6 LOCTITE TO THREADS OF ITEM 242.
- GREASE THREADS, GROOVE AND O-RING ON ITEMS 139 & 152.
- MAGNET MUST BE ORIENTED CORRECTLY IN ORDER TO PROPERLY ACTUATE THE COUNTER.
- CRIMP HEIGHT REFERENCE SETTING WAS THE SETTING USED WHEN THE APPLICATOR WAS QUALIFIED AT THE FACTORY. ADJUSTMENT MAY BE NECESSARY WHEN RUNNING APPLICATOR IN THE FIELD.
- SPARE FEED CAM STORAGE LOCATION REFER TO INSTRUCTION SHEET FOR ADDITIONAL INFORMATION.
- TO CONVERT THE APPLICATOR TO A NON-CARRIER CUTTING STYLE, REMOVE ITEM 13 AND ATTACH TO THE LOCATION ON BACK SIDE OF THE HOUSING. REFER TO INSTRUCTION SHEET FOR ADDITIONAL INFORMATION.
- SEE APPROPRIATE APPLICATOR LOG SHEETS FOR APPLIED TERMINALS, WIRE RANGE AND MEMORY CHIP.
- TERMINAL LUBRICATION IS RECOMMENDED.

APPLICATOR STYLE CONVERSION CHART									
CONVERT TO	PART NUMBERS REQUIRED								
PNEUMATIC FEED	2119950-1	1338685-1	5-18022-5	2119641-2	2119799-1	2063440-1			
SERVO LATCH PLATE	2119951-1	-	8-2266104-5	1901094-3	-	2168400-6 (QUANTITY 2)			
SMART APPLICATOR	2161326-1	-	8-2266104-4	-	-	-			
MECHANICAL FEED	2119949-1	1338685-1	5-18022-5	2119653-2	-	-			
SERVO LATCH PLATE	2119951-1	-	8-2266104-5	1901094-3	-	2168400-6 (QUANTITY 2)			
SMART APPLICATOR	2161326-1	-	8-2266104-4	-	-	-			
MECHANICAL FEED	2119949-1	1338685-1	5-18022-5	2119653-2	-	-			
PNEUMATIC FEED	2119950-1	1338685-1	5-18022-5	2119641-2	2119799-1	2063440-1			

TERMINAL DATA: DEUTSCH TERMINAL TE CRIMP SPECIFICATION			
TERMINAL NAME: STAMPED CONTACT SOCKET SIZE 16			
WIRE STRIP LENGTH		INSULATION DIAMETER RANGE	
3.81-5.09 mm [.150-.200 IN]		Ø 1.60-1.91 mm [.063-.075 IN]	
TERMINAL APPLICATION SPECIFICATION	114-151000		
TERMINALS APPLIED			
TE TERMINAL	DEUTSCH TERMINAL	TE TERMINAL	DEUTSCH TERMINAL
286504-1	1062-16-0122	286504-2	1062-16-0144
286504-3	1062-16-0177	286504-7	1062-16-0722
286504-8	1062-16-0744	286504-9	1062-16-0777
1-286504-1	1062-16-0977	1-286504-2	1062-16-0988
1-286504-5	AT62-16-0122	1-286504-6	AT62-16-0144

***WARNING**
 ON INSTALLATION, SET WIRE DISC, ITEM 40 TO LARGEST WIRE SIZE SETTING. USE OF SETTINGS BELOW MINIMUM REQUIRED CRIMP HEIGHT SETTING WILL CAUSE DAMAGE TO CRIMP TOOLING.

-	-	1	1	1	1	2119791-9	DEPRESSOR, WIRE	286
-	-	1	1	1	1	2119782-1	FINE ADJUST HEAD ASM, PACIFIC STYLE	251
-	-	-	-	1	-	2119640-1	PUSH ROD, AIR FEED	250
-78	-77	-27	-25	-22	-21	PART NO	DESCRIPTION	ITEM NO

PACIFIC VERSION
 Shown on sheets 3 of 4 & 4 of 4
 (Atlantic version shown on sheets 1 of 4 & 2 of 4)

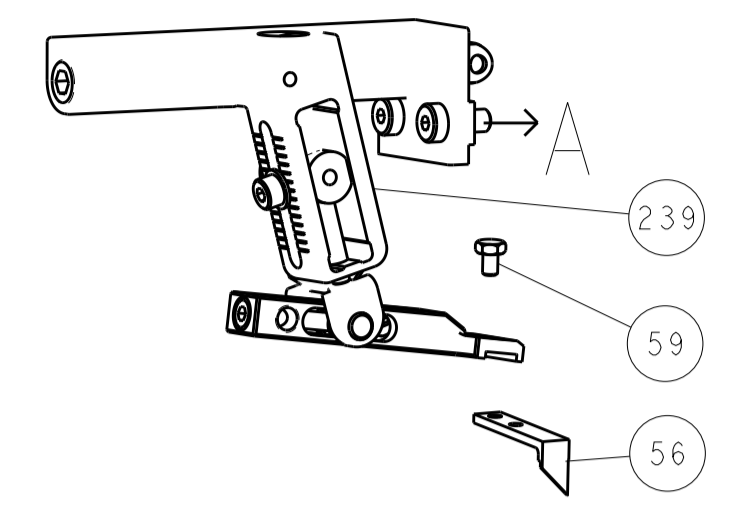
SET UP GAUGE	LOC	DIST	REVISIONS			
2119599-1	A	66	REV	DATE	BY	APPV
-	-	-	1	SEE SHEET 1	-	-

-	-	-	-	1	-	2079988-1	BUSHING, LCH5-12, MISUMI	249
-	-	1	1	1	1	1-22279-3	SPRING, COMPRESSION	246
-	-	1	1	1	1	2119082-9	CAM, SNAIL, INSULATION ADJUSTMENT	244
-	-	1	1	1	1	2079764-1	WASHER, WAVE SPRING, CREST-TO-CREST	243
-	-	1	1	1	1	2119083-1	RETAINER, INSULATION DIAL	242
-	-	1	1	1	1	7-18023-7	SCR, SKT HD CAP M3 X 4.0	241
-	-	-	-	2	-	2168400-6	SHCS, LOW HEAD, RoHS, M5 X 16	240
-	-	-	-	-	1	2119580-1	MECHANICAL FEED ASSEMBLY	239
-	-	-	-	-	1	2063440-1	AIR FEED MODULE	238
-	-	-	-	1	-	2119740-2	TAG IDENTIFICATION	213
-	-	-	-	1	-	1901094-3	SPACER, FEEDER	198
-	-	-	-	2	-	21045-3	RING, RETAIN, EXTERN, 3/16 CRESCENT	172
-	-	1	1	1	1	994969-1	MAGNET, RARE EARTH HIGH ENERGY	166
-	-	REF	REF	REF	REF	994970-2	COUNTER, MAGNETIC	164
-	-	-	-	1	-	240638-1	SPRING, FEED FINGER	163
-	-	1	1	1	1	8-21084-1	O-RING, .801 ID, .070 DIA. MAT.	152
-	-	-	-	1	-	2119641-2	FEED CAM, AIR FEED	151
-	-	1	1	1	1	2119798-2	DETENT PIN	145
-	-	1	1	1	1	2079383-8	SCR, BHSC, RoHS (M4 X 16)	144
-	-	4	4	4	4	2168400-5	SHCS, LOW HEAD, RoHS, M4 X 20	143
-	-	-	-	-	1	2119653-2	FEED CAM, POST FEED	142
-	-	1	1	1	1	1-2119656-0	APPLICATOR BASIC ASSEMBLY, SF	141
-	-	1	1	1	1	2119650-1	RAM, ASIAN STYLE, SIDE FEED	140
-	-	1	1	1	1	2119092-2	BOLT, ADJUSTMENT	139
-	-	-	-	1	-	3-23627-7	PIN, RETAIN, GRVD, 3/16 X .854	137
-	-	-	-	1	-	2119799-1	HOLDER, FEED FINGER, AF	136
-	-	-	-	REF	-	SEE NOTE 4	MEMORY CHIP, PROGRAMMED	135
-	-	-	-	1	-	1633743-1	SERVO FEED LATCH ASM	133
-	-	1	1	1	1	1-18028-2	WASHER, FLAT, REG M4	119
-	-	-	-	REF	-	2119944-1	FEED FINGER ASSEMBLY, SF	117
-	-	1	1	1	1	2119955-1	ASSY, LUBRICATOR, SIDE FEED	113
1	-	1	1	1	1	455888-6	SPACER, CRIMPER	82
1	-	-	-	-	-	2266104	PRINT, APPLICATOR LOG SHEET	72
-	-	1	1	1	1	2119956-1	DOCUMENTATION PACKAGE	71
-	-	1	1	1	1	2119791-9	DEPRESSOR, WIRE	70
-	-	1	-	1	1	2119740-1	TAG IDENTIFICATION	67
-	-	2	2	2	2	2168078-1	SCREW, DRIVE, RH, RoHS, 2 x .188	66
-	-	1	1	1	1	2119793-1	LIMITER, ADJUSTMENT BOLT	63
-	-	3	3	3	3	992763-5	SCR, SET, SOC, CONE POINT, M3 X 4.0	62
-	-	-	-	1	1	5-18022-5	SCR, HEX HD CAP, M4 X 6.0	59
-	-	-	-	1	1	1338685-1	PAWL, FEED	56
-	-	2	2	2	2	1-2168083-0	SCR, SKT HD CAP, RoHS, M4 X 10	53
-	-	1	1	1	1	5018030-1	NUT, HEX, REG, RoHS, M3	52
-	-	1	1	1	1	811242-5	BUMPER, HOLD DOWN	51
-	-	1	1	1	1	690753-2	SPACER, TONKER	50
-	-	-	-	1	2	18023-9	SCR, SKT HD CAP M4 X 6.0	49
-	-	-	-	-	1	2119652-1	FEED CAM, PRE FEED	48
-	-	1	1	1	1	2079383-7	SCR, BHSC, RoHS (M8 X 25)	41
-	-	1	1	1	1	2119645-1	DISC, NUMBERED FA WIRE ADJUSTMENT	40
-	-	1	1	1	1	2119957-1	APPLICATOR SHIM PACK	39
-	-	1	1	1	1	2119644-1	RAM WASHER, PRECISION	38
-	-	1	1	1	1	2-1752356-0	SUPPORT, TERMINAL	34
-	-	2	2	2	2	2079383-5	SCR, BHSC, RoHS (M4 X 20)	33
-	-	1	1	1	1	2161328-1	HEX HEAD, FLANGED, M5 X 8mm LONG	32
-	-	1	1	1	1	1-1320908-0	SPACER, STRIP GUIDE	30
-	-	1	1	1	1	2119959-1	ASSEMBLY, STRIP GUIDE	29
-	-	1	1	1	1	1320928-2	STRIP GUIDE	24
-	-	1	1	1	1	2168083-2	SCR, SKT HD CAP, RoHS, M4 X 8.0	21
-	-	1	1	1	1	1-18028-2	WASHER, FLAT, REG M4	20
-	-	1	1	1	1	2119533-1	STRIPPER, SIDE FEED	19
-	-	1	1	1	1	2119806-1	INSERT, SHEAR	13
-	-	1	1	1	1	3-22280-3	SPRING, COMPRESSION	12
-	-	1	1	1	1	1-356885-4	STOP, SHEAR	11
-	-	1	1	1	1	2119805-1	SHEAR HOLDER, FRONT	10
-	-	1	1	1	1	1803095-1	FLOATING SHEAR, FRONT	9
1	1	1	1	1	1	1803293-5	ANVIL, COMBINATION DEUTSCH STYLE	8
-	-	-	-	-	-	-	-	7
-	-	-	-	-	-	-	-	6
-	-	1	1	1	1	2119757-8	DEPRESSOR, SHEAR	5
-	-	1	1	1	1	238011-9	BLOCK, CRIMPER SPACER	4
1	1	1	1	1	1	1803019-7	CRIMPER, INSULATION O	3
1	-	1	1	1	1	455888-5	SPACER, CRIMPER	2
1	-	1	1	1	1	2-1633713-6	CRIMPER, WIRE PREMIUM	1
-78	-77	-27	-25	-22	-21	PART NO	DESCRIPTION	ITEM NO

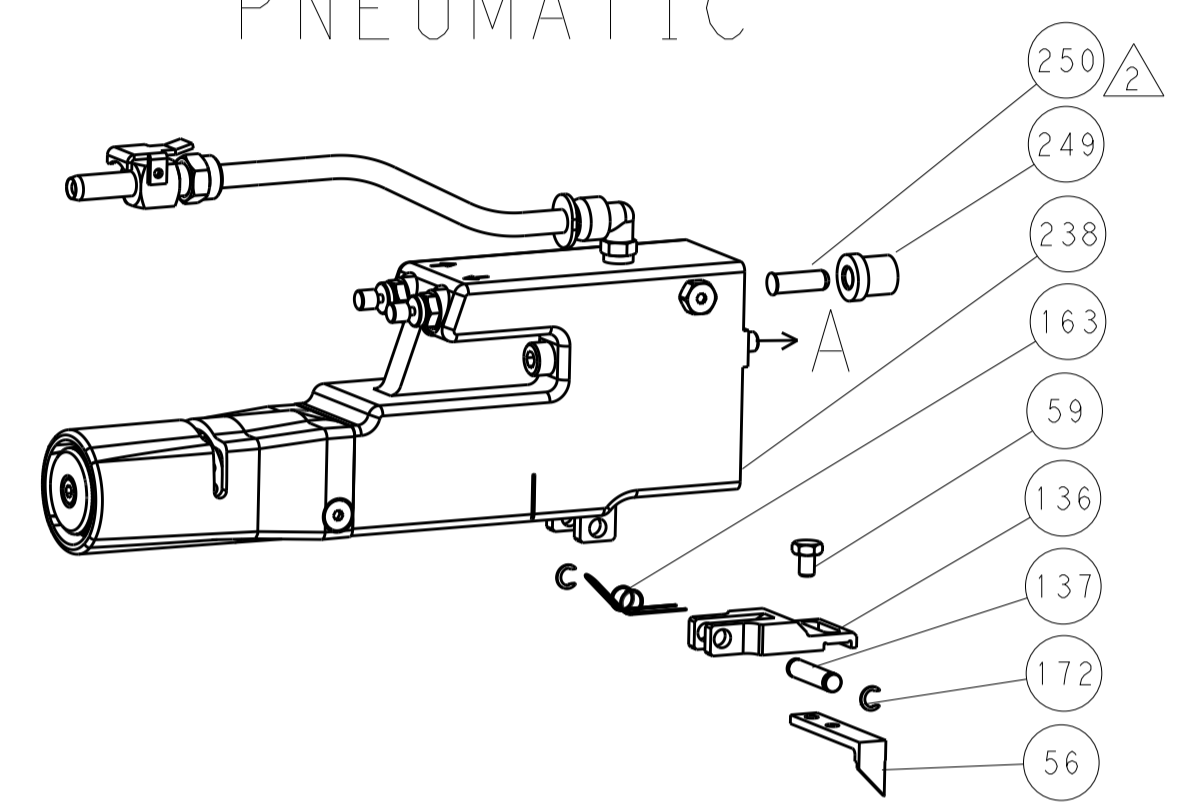
DIMENSIONS:		TOLERANCES UNLESS OTHERWISE SPECIFIED:		APPROVED:		NAME:	
mm	0 PLC ±	1 PLC ±	2 PLC ±	3 PLC ±	4 PLC ±	ANGLES ±	FINISH ±
MATERIAL:		FINISH:		WEIGHT:		SCALE:	
Customer Accessible Production Drawing		SCALE: 1:2		SHEET 3 OF 4		REV B3	

LOC		DIST		REVISIONS			
A	66	P	LTM	DESCRIPTION	DATE	DMN	APVD
		-		SEE SHEET 1			

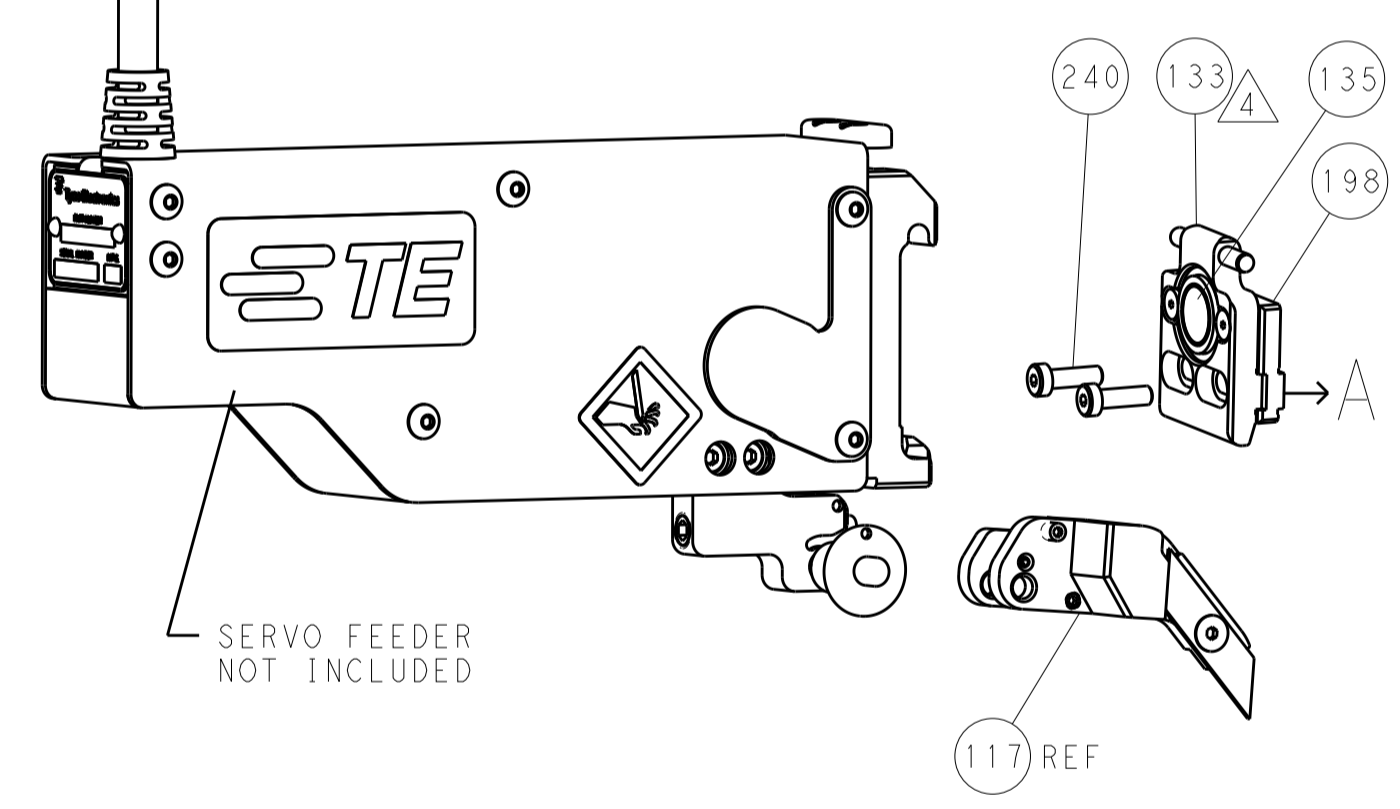
FEED TYPE MECHANICAL



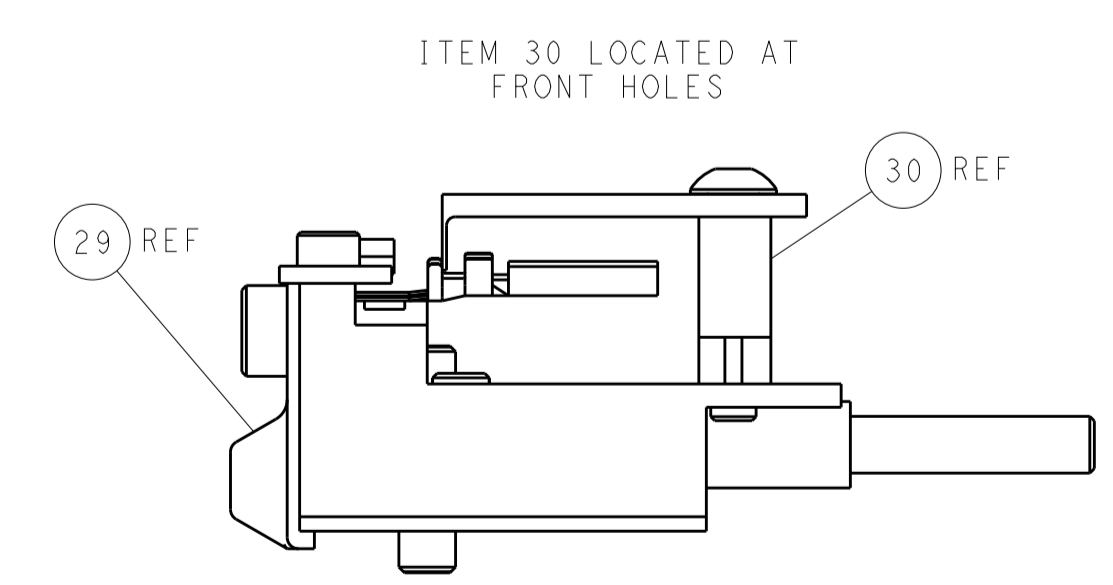
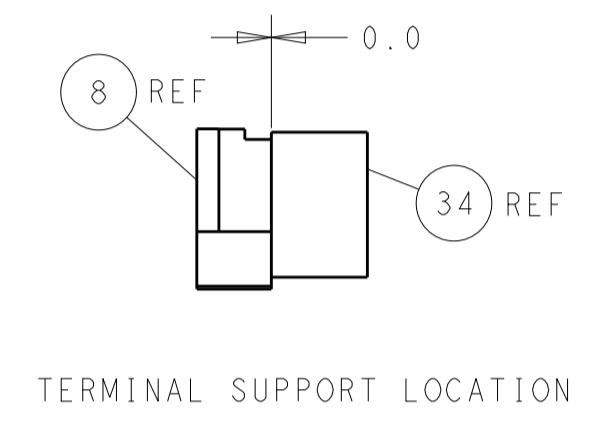
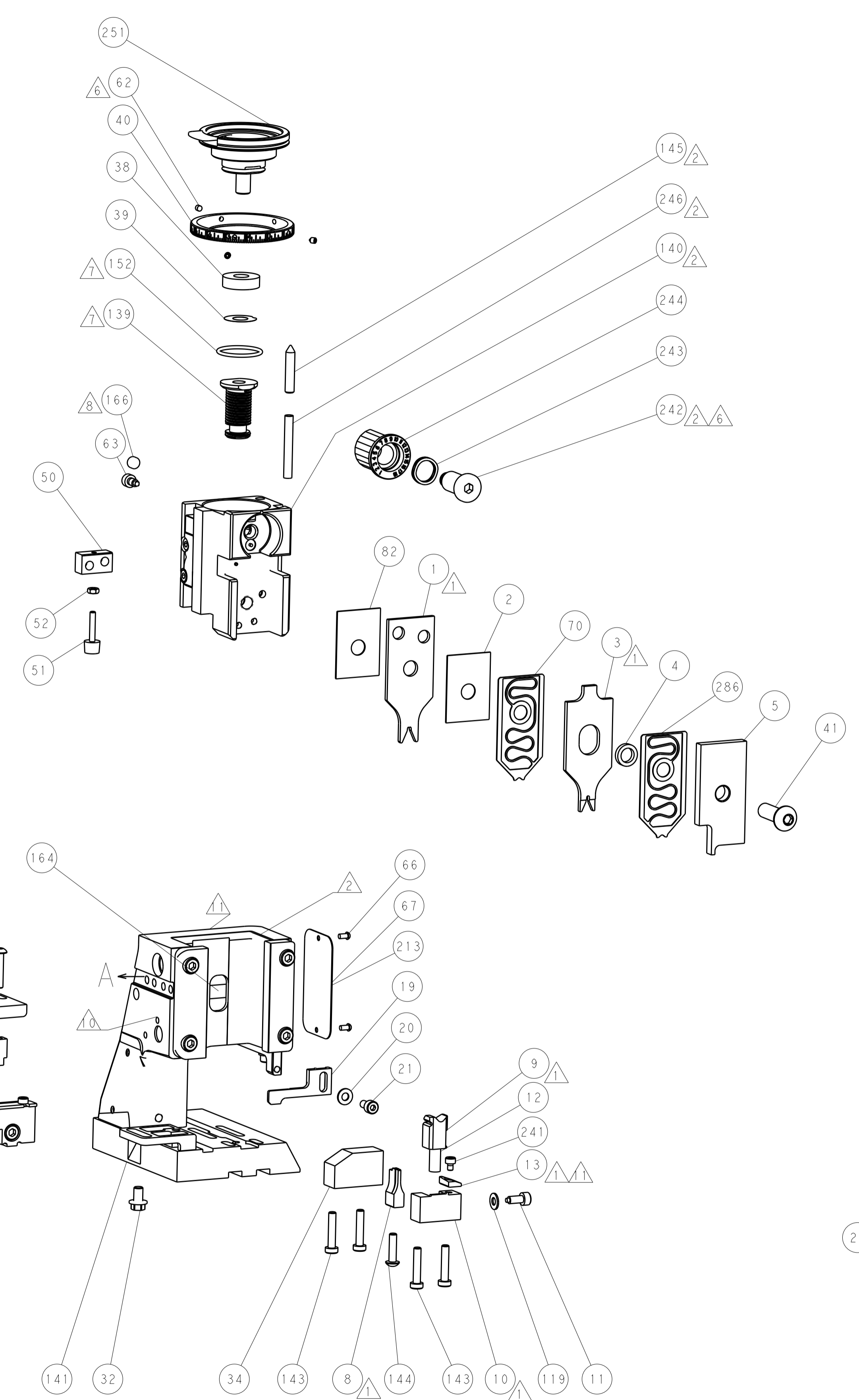
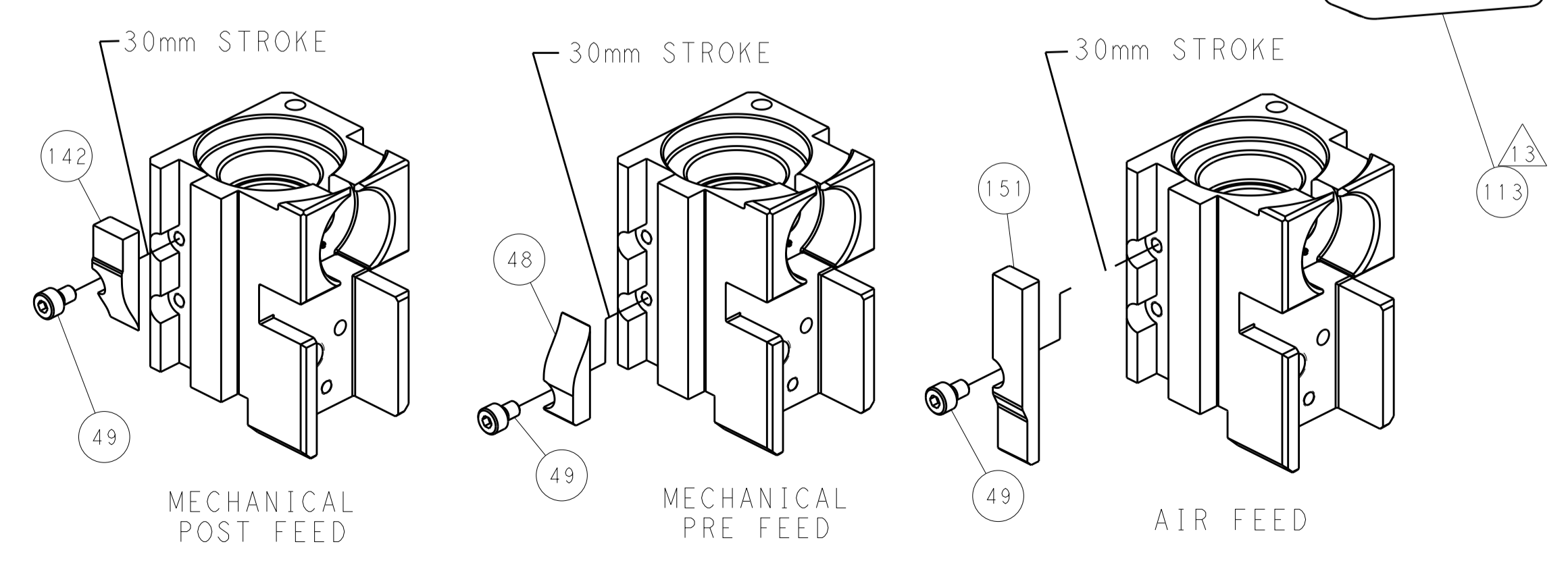
PNEUMATIC



SERVO LATCH PLATE



CAM POSITIONS



PACIFIC VERSION
 Shown on sheets 3 of 4 & 4 of 4
 (Atlantic version shown on sheets 1 of 4 & 2 of 4)

DIMENSIONS:		TOLERANCES UNLESS OTHERWISE SPECIFIED:		DWG: R. KNEPPER 04-Oct-13		STE TE Connectivity	
mm	0 PLC ±	1 PLC ±	2 PLC ±	3 PLC ±	4 PLC ±	5 PLC ±	Harrisburg, PA 17105-3608
MATERIAL:		FINISH:		CHK: G. BAILEY 04-Oct-13		NAME: Ocean Side Feed Applicator	
APVD: M. CLIFFORD 04-Oct-13		PRODUCT SPEC:		APPLICATION SPEC:		SIZE: CAGE CODE: DRAWING NO:	
Customer Accessible Production Drawing		SCALE: 1:2		A1 00779 ©=2266104		RESTRICTED TO:	
SHEET 4 OF 4		REV B3		Customer Accessible Production Drawing		SCALE: 1:2 SHEET 4 OF 4 REV B3	