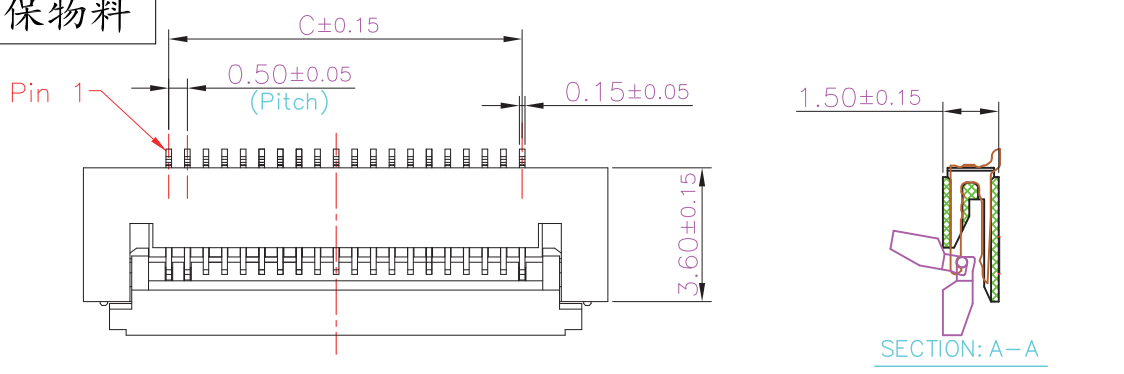


TEL: 0769-82001899

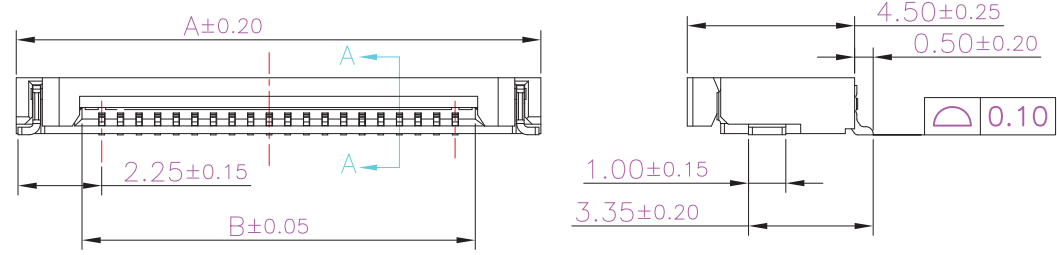
环保物料

- 1.MATERIAL
 HOUSING:LCP UL 94V-0
 ACTUATOR:LCP UL 94V-0
 CONTACTS:COPPER ALLOY
 PEG:COPPER ALLOY
- 2.PLATING:
 CONTACTS:TIN OR AU OVER NICKEL
 PEG:TIN OVER NICKEL
- 3.PART NO:
 OPERATING VOLTAGE:50V AC,DC
 CURRENT RATING:0.3A AC,DC
 OPERATING TEMPERATURE:-25°C~+85°C
- 4.PART NO:

| PIN | DIM A | DIM B | DIM C |
|-----|-------|-------|-------|
| 4 | 6.10 | 2.60 | 1.50 |
| 5 | 6.60 | 3.10 | 2.00 |
| 6 | 7.10 | 3.60 | 2.50 |
| 7 | 7.60 | 4.10 | 3.00 |
| 8 | 8.10 | 4.60 | 3.50 |
| 9 | 8.60 | 5.10 | 4.00 |
| 10 | 9.10 | 5.60 | 4.50 |
| 11 | 9.60 | 6.10 | 5.00 |
| 12 | 10.10 | 6.60 | 5.50 |
| 13 | 10.60 | 7.10 | 6.00 |
| 14 | 11.10 | 7.60 | 6.50 |
| 15 | 11.60 | 8.10 | 7.00 |
| 16 | 12.10 | 8.60 | 7.50 |
| 17 | 12.60 | 9.10 | 8.00 |
| 18 | 13.10 | 9.60 | 8.50 |
| 19 | 13.60 | 10.10 | 9.00 |
| 20 | 14.10 | 10.60 | 9.50 |
| 21 | 14.60 | 11.10 | 10.00 |
| 22 | 15.10 | 11.60 | 10.50 |
| 23 | 15.60 | 12.10 | 11.00 |
| 24 | 16.10 | 12.60 | 11.50 |
| 25 | 16.60 | 13.10 | 12.00 |
| 26 | 17.10 | 13.60 | 12.50 |
| 27 | 17.60 | 14.10 | 13.00 |
| 28 | 18.10 | 14.60 | 13.50 |
| 29 | 18.60 | 15.10 | 14.00 |
| 30 | 19.10 | 15.60 | 14.50 |
| 31 | 19.60 | 16.10 | 15.00 |
| 32 | 20.10 | 16.60 | 15.50 |
| 33 | 20.60 | 17.10 | 16.00 |
| 34 | 21.10 | 17.60 | 16.50 |
| 35 | 21.60 | 18.10 | 17.00 |
| 36 | 22.10 | 18.60 | 17.50 |
| 37 | 22.60 | 19.10 | 18.00 |
| 38 | 23.10 | 19.60 | 18.50 |
| 39 | 23.60 | 20.10 | 19.00 |
| 40 | 24.10 | 20.60 | 19.50 |
| 41 | 24.60 | 21.10 | 20.00 |
| 42 | 25.10 | 21.60 | 20.50 |
| 43 | 25.60 | 22.10 | 21.00 |
| 44 | 26.10 | 22.60 | 21.50 |
| 45 | 26.60 | 23.10 | 22.00 |
| 46 | 27.10 | 23.60 | 22.50 |
| 47 | 27.60 | 24.10 | 23.00 |
| 48 | 28.10 | 24.60 | 23.50 |
| 49 | 28.60 | 25.10 | 24.00 |
| 50 | 29.10 | 25.60 | 24.50 |
| 51 | 29.60 | 26.10 | 25.00 |
| 52 | 30.10 | 26.60 | 25.50 |
| 53 | 30.60 | 27.10 | 26.00 |
| 54 | 31.10 | 27.60 | 26.50 |
| 55 | 31.60 | 28.10 | 27.00 |
| 56 | 32.10 | 28.60 | 27.50 |
| 59 | 33.60 | 30.10 | 29.00 |
| 60 | 34.10 | 30.60 | 29.50 |
| 61 | 34.60 | 31.10 | 30.00 |
| 80 | 44.10 | 40.60 | 39.50 |

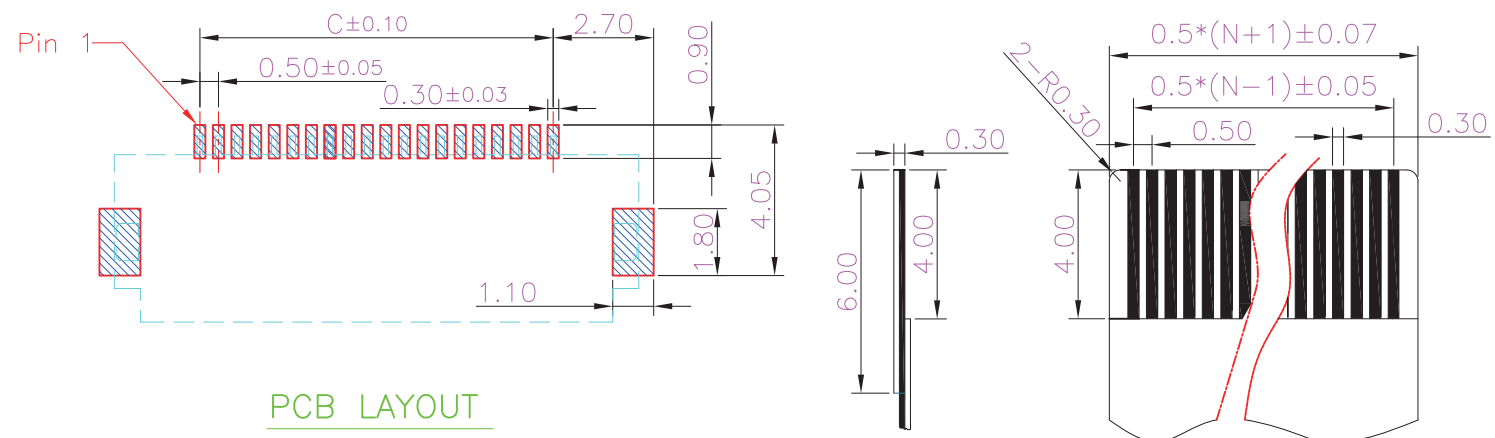


SECTION: A-A



F0502-B-xx-15T-x

R=卷装 无=管装
 T=镀锡 G=镀金
 Pin位数



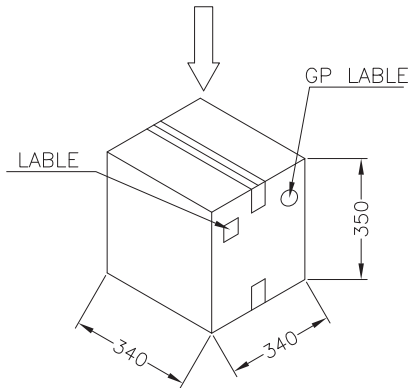
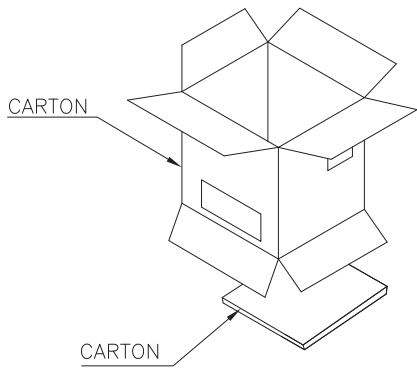
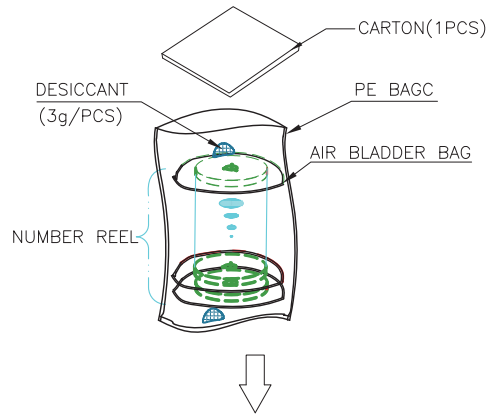
PCB LAYOUT

APPLICABLE FPC

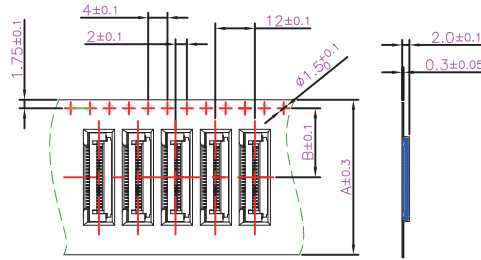
| | | | | | | | | | | |
|----|--------------|------|------|----------------------------|-------|--------|--------------------------|-----------------------|----------|--------------|
| | | | | TOLERANCE UNLESS OTHERWISE | DRAWN | CK tan | XFCN 兴飞连接器有限公司 | | SHEET | 1/1 |
| | | | | X. ±0.30 X° ±5° | CHKD | | XFCN CONNECTORS CO.,LTD. | | DATE | 2020. 04. 12 |
| | | | | .X ±0.20 .X° ±2° | APPD | | PRODUCT NAME | FPC 0.50mm Connectors | UNITS | mm |
| | | | | .XX ±0.08 .XX° ±1° | VIEW | ⊕ | PART. NO. | F0502-B-xx-15T-R | SCALE | 1:1 |
| | | | | .XXX ±0.03 .XXX° ±0.5° | | | | | DWG. NO. | 009 |
| AO | MODIFICATION | DRAW | DATE | | | | | | | |

环保物料

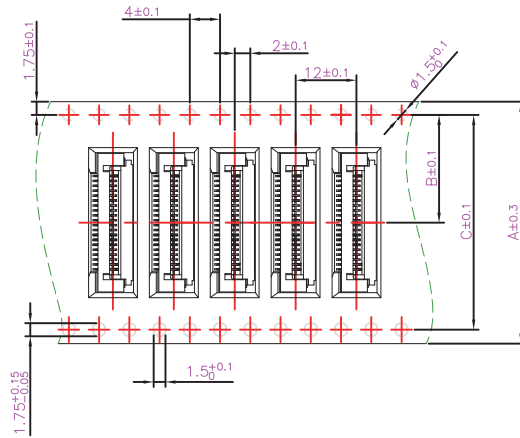
TEL:0769-82001899



Tape width 16 and 24 mm



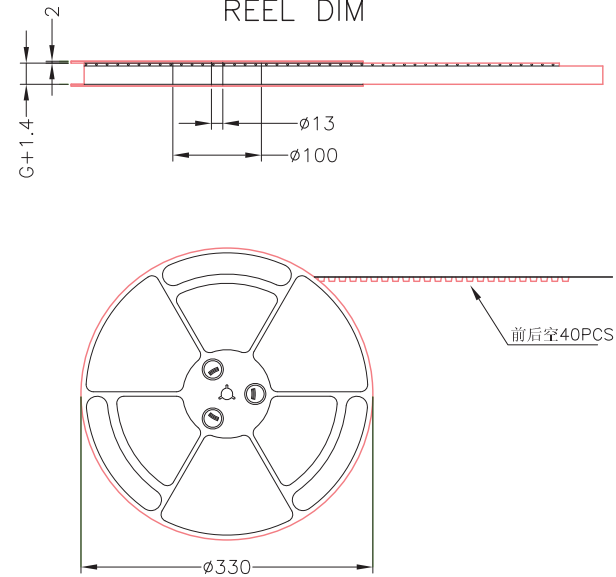
Tape width 32 and 56 mm



NOTES:

- 1.Component load per 13" reel:4000 pcs
- 2.Material: black conductive polystyrene alloy.
- 3.Thickness:0.3±0.05mm
- 4.All dimensions meet EIA-481-C requirements

REEL DIM



| No.of Contacts | DIM | | | REEL (CARTON) | SUM(PCS) |
|----------------|-----|-------|------|---------------|----------|
| | A | B | C | | |
| 4pin~8pin | 16 | 7.5 | — | 15 | 60000 |
| 10pin~24pin | 24 | 11.5 | — | 10 | 40000 |
| 25pin~35pin | 32 | 14.2 | 28.4 | 8 | 32000 |
| 36pin~54pin | 44 | 20.2 | 40.4 | 6 | 24000 |
| 55pin~60pin | 56 | 26.25 | 52.5 | 5 | 20000 |

TOLERANCE UNLESS OTHERWISE

| | | | |
|------|-------|-------|-------|
| X. | ±0.30 | X° | ±5° |
| .X | ±0.20 | .X° | ±2° |
| .XX | ±0.08 | .XX° | ±1° |
| .XXX | ±0.03 | .XXX° | ±0.5° |

DRAWN

CHKD

APPD

VIEW

CK tan

XFCN 兴飞连接器有限公司
XFCN CONNECTORS CO.,LTD.

PRODUCT NAME FPC 0.50mm Connectors

PART. NO. F0502-B-xx-15T-R

SHEET 1/1

DATE 2020.04.12

UNITS mm

SCALE 1:1

DWG NO. 009

AO

VER

MODIFICATION

DRAW

DATE