



U74AC04

CMOS IC

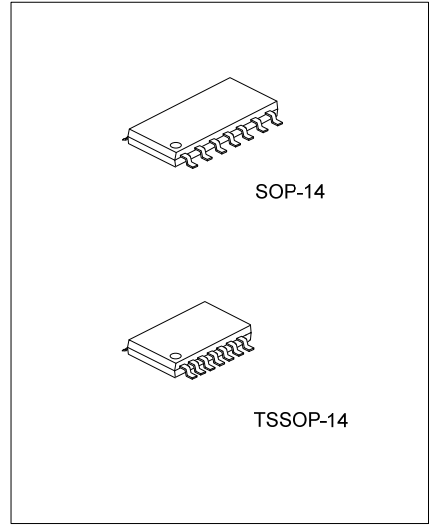
HEX INVERTERS

DESCRIPTION

The **U74AC04** contains six independent inverters and performs the Boolean function $Y = \overline{A}$ in positive logic circuit.

FEATURES

- * Operation Voltage Range: $V_{CC} = 2V$ to $6V$
- * High Speed: $t_{PD} = 4ns$ (TYP.) at $V_{CC} = 5V$
- * Low Input Current: $I_{IN} = 0.1\mu A$ (Max.) at $T_A = 25^\circ C$
- * Low Power Dissipation: $I_{CC} = 2\mu A$ (Max.) at $T_A = 25^\circ C$



ORDERING INFORMATION

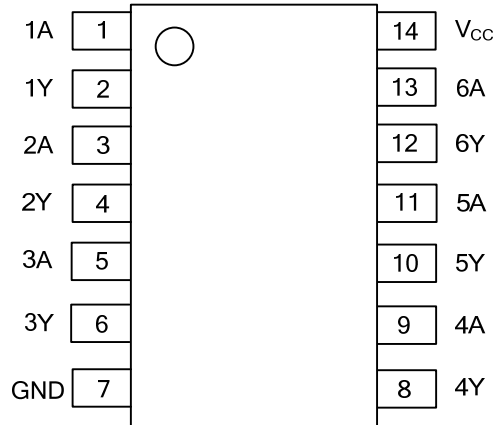
Ordering Number	Package	Packing
U74AC04G-S14-R	SOP-14	Tape Reel
U74AC04G-P14-R	TSSOP-14	Tape Reel

<p>U74AC04G-P14-R</p> <ul style="list-style-type: none"> (1) Packing Type (2) Package Type (3) Green Package 	<ul style="list-style-type: none"> (1) R: Tape Reel (2) P14: TSSOP-14, S14: SOP-14 (3) G: Halogen Free and Lead Free
---	---

MARKING

SOP-14	TSSOP-14

■ PIN CONFIGURATION

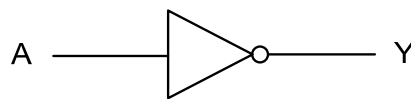


■ FUNCTION TABLE (Each Inverter)

INPUT(A)	OUTPUT(Y)
H	L
L	H

Note: H: HIGH voltage level; L: LOW voltage level.

■ LOGIC DIAGRAM (Each Inverter)



Logic Symbol

■ ABSOLUTE MAXIMUM RATING

PARAMETER	SYMBOL	RATINGS	UNIT
Supply Voltage	V_{CC}	-0.5 ~ +7	V
Input Voltage	V_{IN}	-0.5 ~ $V_{CC}+0.5$	V
Output Voltage	V_{OUT}	-0.5 ~ $V_{CC}+0.5$	V
V_{CC} or GND Current	I_{CC}	±200	mA
Continuous Output Current ($V_{OUT}=0$ to V_{CC})	I_{OUT}	±50	mA
Input Clamp Current ($V_{IN}<0$ or $V_{IN}>V_{CC}$)	I_{IK}	±20	mA
Output Clamp Current ($V_{OUT}<0$ or $V_{OUT}>V_{CC}$)	I_{OK}	±20	mA
Total Power Dissipation ($T_A=55^\circ\text{C}$)	P_D	0.5	W
Storage Temperature	T_{STG}	-65 ~ +150	$^\circ\text{C}$

Note: Absolute maximum ratings are those values beyond which the device could be permanently damaged. Absolute maximum ratings are stress ratings only and functional device operation is not implied.

■ RECOMMENDED OPERATING CONDITIONS

PARAMETER	SYMBOL	TEST CONDITIONS	MIN	TYP	MAX	UNIT
Supply Voltage	V_{CC}		2		6	V
Input Voltage	V_{IN}		0		V_{CC}	V
Output Voltage	V_{OUT}		0		V_{CC}	V
Operating Temperature	T_A		-40		85	$^\circ\text{C}$
High-Level Output Current	I_{OH}	$V_{CC}=3\text{V}$			-12	mA
		$V_{CC}=4.5\text{V}$			-24	mA
		$V_{CC}=5.5\text{V}$			-24	mA
Low-Level Output Current	I_{OL}	$V_{CC}=3\text{V}$			12	mA
		$V_{CC}=4.5\text{V}$			24	mA
		$V_{CC}=5.5\text{V}$			24	mA
Input Transition Rise or Fall Rate	t_R / t_F		0		8	ns/V

■ ELECTRICAL CHARACTERISTICS ($T_A = 25^\circ\text{C}$, unless otherwise specified)

PARAMETER	SYMBOL	TEST CONDITIONS	MIN	TYP	MAX	UNIT
High-level Input Voltage	V_{IH}	$V_{CC}=3\text{V}$	2.1			V
		$V_{CC}=4.5\text{V}$	3.15			V
		$V_{CC}=5.5\text{V}$	3.85			V
Low-level Input Voltage	V_{IL}	$V_{CC}=3\text{V}$			0.9	V
		$V_{CC}=4.5\text{V}$			1.35	V
		$V_{CC}=5.5\text{V}$			1.65	V
High-Level Output Voltage	V_{OH}	$I_{OH}=-50\mu\text{A}$ $V_{CC}=3\text{V}$	2.9	2.99		V
		$I_{OH}=-50\mu\text{A}$ $V_{CC}=4.5\text{V}$	4.4	4.49		V
		$I_{OH}=-50\mu\text{A}$ $V_{CC}=5.5\text{V}$	5.4	5.49		V
		$I_{OH}=-12\text{mA}$ $V_{CC}=3\text{V}$	2.56			V
		$I_{OH}=-24\text{mA}$ $V_{CC}=4.5\text{V}$	3.86			V
		$I_{OH}=-24\text{mA}$ $V_{CC}=5.5\text{V}$	4.86			V
Low-Level Output Voltage	V_{OL}	$I_{OL}=50\mu\text{A}$ $V_{CC}=3\text{V}$			0.1	V
		$I_{OL}=50\mu\text{A}$ $V_{CC}=4.5\text{V}$			0.1	V
		$I_{OL}=50\mu\text{A}$ $V_{CC}=5.5\text{V}$			0.1	V
		$I_{OL}=12\text{mA}$ $V_{CC}=3\text{V}$			0.36	V
		$I_{OL}=24\text{mA}$ $V_{CC}=4.5\text{V}$			0.36	V
		$I_{OL}=24\text{mA}$ $V_{CC}=5.5\text{V}$			0.36	V
Input Leakage Current	$I_{I(LEAK)}$	$V_{IN} = V_{CC}$ or GND, $V_{CC}=5.5\text{V}$			±0.1	μA
Quiescent Supply Current	I_Q	$V_{IN} = V_{CC}$ or GND, $I_{OUT}=0$ $V_{CC}=5.5\text{V}$			2	μA
Input Capacitance	C_{IN}	$V_{IN} = V_{CC}$ or GND		2.8		pF

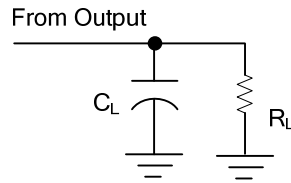
■ SWITCHING CHARACTERISTICS (T_A=25°C)

PARAMETER	SYMBOL	TEST CONDITIONS	MIN	TYP	MAX	UNIT
Propagation delay from input (nA) to output(nY)	t _{PLH}	V _{CC} =3.3±0.3V, C _L =50pF, R _L =500Ω	1.5	4.5	9	ns
	t _{PHL}		1.5	4.5	8.5	ns
	t _{PLH}	V _{CC} =5±0.5V, C _L =50pF, R _L =500Ω	1.5	4	7	ns
	t _{PHL}		1.5	3.5	6.5	ns

■ OPERATING CHARACTERISTICS (T_A=25°C)

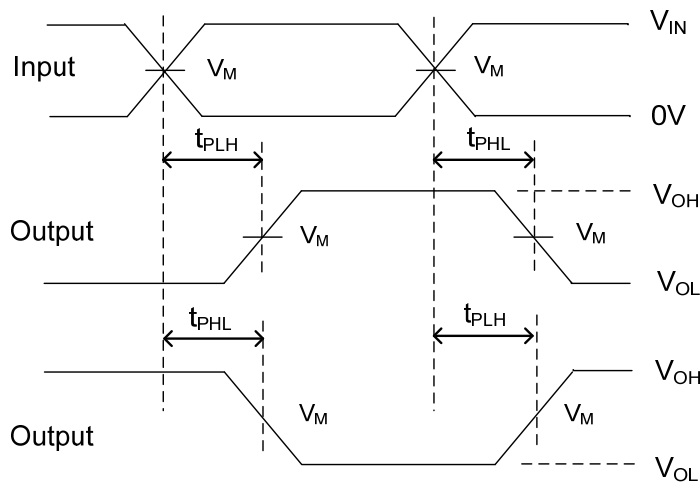
PARAMETER	SYMBOL	TEST CONDITIONS	MIN	TYP	MAX	UNIT
Power Dissipation Capacitance	C _{PD}	C _L =50pF, f=10MHz		45		pF

■ TEST CIRCUIT AND WAVEFORMS



TEST CIRCUIT

V_{CC}	INPUTS		V_M	C_L	R_L
	V_{IN}	t_R, t_F			
$3.3V \pm 0.3V$	V_{CC}	$\leq 2.5ns$	$V_{CC} / 2$	50pF	500 Ω
$5V \pm 0.5V$	V_{CC}	$\leq 2.5ns$	$V_{CC} / 2$	50pF	500 Ω



VOLTAGE WAVEFORMS

- Notes: 1. C_L includes probe and jig capacitance
 2. All input pulses are supplied by generators having the following characteristics: PRR $\leq 1MHz$, $Z_0 = 50\Omega$.

UTC assumes no responsibility for equipment failures that result from using products at values that exceed, even momentarily, rated values (such as maximum ratings, operating condition ranges, or other parameters) listed in products specifications of any and all UTC products described or contained herein. UTC products are not designed for use in life support appliances, devices or systems where malfunction of these products can be reasonably expected to result in personal injury. Reproduction in whole or in part is prohibited without the prior written consent of the copyright owner. The information presented in this document does not form part of any quotation or contract, is believed to be accurate and reliable and may be changed without notice.