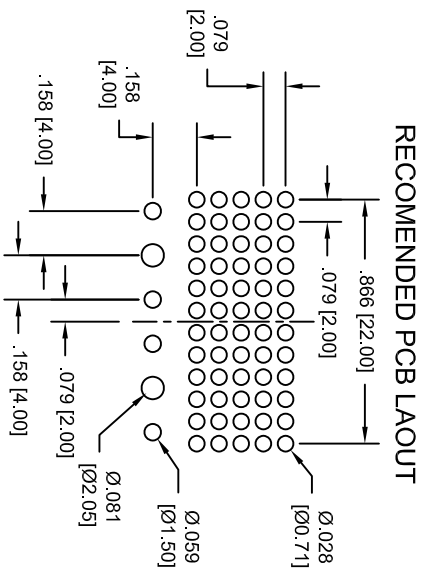
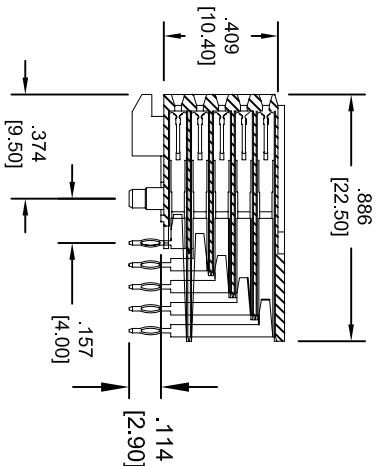
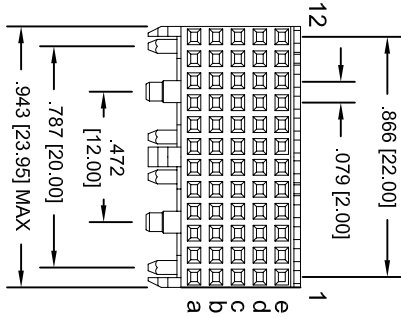
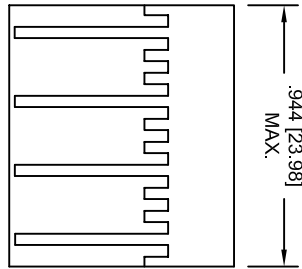


Rev	AWO #	Description	Date	Appr
-		RELEASED	8/29/06	

APPROVED: \_\_\_\_\_  
 DATE: \_\_\_\_\_ TITLE: \_\_\_\_\_



**SPECIFICATIONS:**

**Material:**

Insulator: LCP, rated UL94V-0  
 Insulator color: Gray  
 Contacts: Phosphor Bronze

**Plating:**

5u" Gold over 50u" nickel underplate on contact area, 100u" Tin-lead on tails.

**Electrical:**

Operation voltage: 250V rms.  
 Current rating: 1 Amp / contact (all signal contacts loaded) @ 70°C  
 Contact resistance: 20 mohms max.  
 Insulation resistance: 1000 Mohms min.  
 Dielectric withstanding voltage: 1000V AC for 1 min.

**Environmental:**

Operating temperature: -55°C to +125°C  
 Environmental:  
 Lead free, RoHS compliant.  
 Recommended soldering temp: 235°C for 5 sec.



UNLESS OTHERWISE SPECIFIED ALL DIMENSIONS ARE INCHES [MM]	
TOLERANCES: EXCEPT AS NOTED	
INCHES	HOLES
.X ± .10	Ø.X ± .10
.XX ± .020	Ø.XXX ± .015
.XXX ± .015	Ø.XXX ± .010
APPROVALS	DATE
DRAWN	SS
CHECKED	
APPROVED	8/29/06

**ADAM TECH**  
 909 Rahway Avenue, Union, NJ 07083  
 Phone: 908-687-5000 Fax: 908-687-5710

TITLE: 2.0MM FUTURE BUS CONNECTOR, 5 ROW, FEMALE 60 PIN R/A

SIZE	PART NO.	REV.
X	2FB-60-F	-
REF:	SCALE: NTS	SHEET 1 OF 1