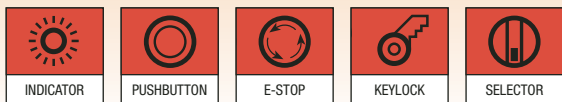


# Series 61

16mm 22.5mm 21 x 21mm 21 x 27mm IP65 5A 250VAC



Choose one component from each of the colored sections to assemble a complete switch. For other options or further information please contact EAO Switch directly.

## Product Profile

The Series 61 is a high quality, modular switch range that includes pushbuttons, indicators, selector switches, keylock switches and Emergency-stops. Available in raised or flush mount.

Self cleaning snap-action and slow-make switching elements available.

Technical drawings see pages 67-68

- IP65 Protection
- Switch Rating, 5A, 250VAC
- Raised Mounting into 16mm cut out
- Flush Mounting into 22.5mm, 21x21mm and 21x27mm cut out
- Illumination using midget-grooved T-1<sup>3</sup>/<sub>4</sub> lamps or single chip LED's
- All standard lenses are transparent with translucent white diffusers and are available in different colors
- For keylock switches 135 different key codes are available

**A guide to ordering parts - choice of front bezel determines front shape for flush mount versions. Accessories are optional.**

<b>Indicator</b>	<b>LED</b>	<b>Accessories</b>	<b>Accessories</b>		
For a complete indicator you will need to order the appropriate indicator, LED, lens and bezel (for flush mount only)					
<b>Illuminated pushbutton</b>	<b>Contact block</b>	<b>LED (optional)</b>	<b>Accessories</b>	<b>Accessories</b>	
For a complete illuminated pushbutton you will need to order the appropriate actuator, contact block, LED, lens and bezel (for flush mount only)					
<b>Keylock switch</b>	<b>Contact block</b>	<b>Contact block</b>	<b>Accessories</b>	<b>Accessories</b>	<b>Accessories</b>
For a complete keylock switch you will need to order the appropriate actuator, contact block and bezel (for flush mount only)					
<b>Selector switch</b>	<b>Contact block</b>	<b>Contact block</b>	<b>LED (optional)</b>	<b>Accessories</b>	<b>Accessories</b>
For a complete selector switch you will need to order the appropriate actuator, contact block, LED, lever and bezel (for flush mount only)					

Choose one component from each of the colored sections to assemble a complete switch.  
For other options or further information please contact EAO Switch directly.

 BLOCK	 LED	<b>A</b> ACCESSORIES
---	---	-------------------------

 <b>Indicator</b>	 <b>Illuminated pushbutton</b>
--	---



Indicator bodies, raised, round, square and rectangular, black plastic, 16mm mounting

Image	Part No.	Size
1	61-0050.02	24 x 24mm
2	61-0030.02	18 x 24mm
3	61-0020.02	18 x 18mm
4	61-0010.02	18mm Ø
Flush mount adapter determines round, square or rectangular		

For complete switch also order  **A**



Universal indicator body for flush mount, black plastic



Image	Part No.
	61-0000.02
Flush mount adapter determines round, square or rectangular	

For complete switch also order  **A**



Illuminated pushbutton actuator, raised, round, square and rectangular, black plastic, 16mm mounting

Image	Part No.	Action	Size
1	61-1150.0	Momentary	24 x 24mm
1	61-1250.0	Maintained	24 x 24mm
2	61-1130.0	Momentary	18 x 24mm
2	61-1230.0	Maintained	18 x 24mm
3	61-1120.0	Momentary	18 x 18mm
3	61-1220.0	Maintained	18 x 18mm
4	61-1110.0	Momentary	18mm Ø
4	61-1210.0	Maintained	18mm Ø

For complete switch also order   **A**

 **Illuminated pushbutton**



Universal illuminated flush mount pushbutton actuator, round, black plastic

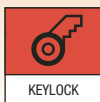
Part No.	Action
61-1100.0	Momentary
61-1200.0	Maintained
Flush mount adapter determines round, square or rectangular	

For complete switch also order   **A**



# Series 61

16mm 22.5mm 21 x 21mm 21 x 27mm IP65 5A 250VAC



Choose one component from each of the colored sections to assemble a complete switch.  
For other options or further information please contact EAO Switch directly.

## Emergency-stop switch



Emergency-stop, twist release and key release, 27mm diameter for 16mm mounting, foolproof to EN 60947-5-5 and EN 418

Part No.	Product reference	Drawing
61-3440.4/1	Twist release	1
61-5441.4/K	Key release	2
		2
		2
Must use Emergency-stop contact blocks		

For complete switch also order **A**

## Keylock switch



Universal keylock switch, actuator, 2 position for raised and flush mount

Drawing	Part No.	Action	Key rem.
1	61-2101.0/D	Momentary	A
2	61-2201.0/D	Maintained	A
2	61-2203.0/D	Maintained	C
2	61-2205.0/D	Maintained	C+A
For flush mount order flush front bezel and front bezel adapter			

For complete switch also order **A**

## Keylock switch



Universal keylock switch, actuator, 3 position for raised and flush mount

Drawing	Part No.	Action	Key rem.
3	61-2501.0/D	Momentary/Momentary	A
4	61-2601.0/D	Maintained/Maintained	A
4	61-2602.0/D	Maintained/Maintained	B
4	61-2603.0/D	Maintained/Maintained	C
4	61-2604.0/D	Maintained/Maintained	A+B
4	61-2605.0/D	Maintained/Maintained	C+A
4	61-2606.0/D	Maintained/Maintained	C+B
4	61-2607.0/D	Maintained/Maintained	C+A+B
For flush mount order flush front bezel and front bezel adapter			

For complete switch also order **A**



## Keylock switch



Universal keylock switch, actuator, 3 position for raised and flush mount

Drawing	Part No.	Action	Key rem.
5	61-2701.0/D	Maintained/Momentary	A
5	61-2703.0/D	Maintained/Momentary	C
5	61-2705.0/D	Maintained/Momentary	C+A
6	61-2801.0/D	Momentary/Maintained	A
6	61-2802.0/D	Momentary/Maintained	B
6	61-2804.0/D	Momentary/Maintained	A+B
For flush mount order flush front bezel and front bezel adapter			

For complete switch also order **A**

## Selector switch



Universal selector switch, actuator, 2 and 3 position for raised and flush mount

Drawing	Part No.	Action
7	61-4110.0	Momentary
8	61-4210.0	Maintained
9	61-4510.0	Momentary/Momentary
10	61-4610.0	Maintained/Maintained
11	61-4710.0	Maintained/Momentary
12	61-4810.0	Momentary/Maintained
Flush mount adapter determines round, square or rectangular		

For complete switch also order **A**

Choose one component from each of the colored sections to assemble a complete switch.  
For other options or further information please contact EAO Switch directly.



**Contact block**



Contact block for pushbuttons and 2 position keylock and selector switches, snap-action, QC/solder terminals

Emergency-stop contact block, slow make

Contact block, 3 position keylock and selector switch, snap-action, QC/solder terminals

Part No.	Contact type	Contact material	Image	Part No.	Contact type	Contact material	Terminal	Part No.	Contact type	Contact material
61-8410.12	1NO	Silver	1	61-8755.11	2NC	Silver	Screw	61-8520.12	2NO	Silver
61-8410.22	1NO	Gold	2	61-8755.17	2NC	Silver	QC/solder	61-8520.22	2NO	Gold
61-8420.12	2NO	Silver	1	61-8775.11	1NO/1NC	Silver	Screw			
61-8420.22	2NO	Gold	2	61-8775.17	1NO/1NC	Silver	QC/solder			
61-8470.12	1NO/1NC	Silver								
61-8470.22	1NO/1NC	Gold								

For complete switch also order ☉ ⚙️ Ⓜ️

For complete switch also order ☉

For complete switch also order ⚙️ Ⓜ️

**LED**



LED, T-1 $\frac{3}{4}$  MG, single chip, 12 Volt and 28 Volt. Also available in 6 Volt, 24 Volt and 48 Volt

**A Accessories**



Lens, transparent with white diffuser, plastic for raised, rectangular indicator and pushbutton actuators



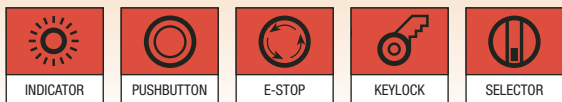
Lens, transparent with white diffuser, plastic for raised, square indicator and pushbutton actuators

Color	Part No.	Voltage	Color	Part No.	Size	Color	Part No.	Size
Red	10-2J09.1062	12VAC/DC, 7/14mA	Red	61-9331.2	18 x 24mm	Red	61-9351.2	24 x 24mm
Yellow	10-2J09.1064	12VAC/DC, 7/14mA	Yellow	61-9331.4	18 x 24mm	Yellow	61-9351.4	24 x 24mm
Green	10-2J09.1065	12VAC/DC, 4/7mA	Green	61-9331.5	18 x 24mm	Green	61-9351.5	24 x 24mm
Blue	10-2J09.1066	12VAC/DC, 7/14mA	Blue	61-9331.6	18 x 24mm	Blue	61-9351.6	24 x 24mm
White	10-2J09.1069	12VAC/DC, 7/14mA	Clear	61-9331.7	18 x 24mm	Clear	61-9351.7	24 x 24mm
Red	10-2J13.1062	28VAC/DC, 7/14mA						
Yellow	10-2J13.1064	28VAC/DC, 7/14mA						
Green	10-2J13.1065	28VAC/DC, 4/7mA						
Blue	10-2J13.1066	28VAC/DC, 7/14mA						
White	10-2J13.1069	28VAC/DC, 7/14mA						



# Series 61

16mm 22.5mm 21 x 21mm 21 x 27mm IP65 5A 250VAC



Choose one component from each of the colored sections to assemble a complete switch.  
For other options or further information please contact EAO Switch directly.

## A Accessories



Lens, transparent with white diffuser, plastic for raised, square indicator and pushbutton actuators

Color	Part No.	Size
Red	61-9321.2	18 x 18mm
Yellow	61-9321.4	18 x 18mm
Green	61-9321.5	18 x 18mm
Blue	61-9321.6	18 x 18mm
Clear	61-9321.7	18 x 18mm



Lens, transparent with white diffuser, plastic for raised, round indicator and pushbutton actuators

Color	Part No.	Size
Red	61-9311.2	18mm Ø
Yellow	61-9311.4	18mm Ø
Green	61-9311.5	18mm Ø
Blue	61-9311.6	18mm Ø
Clear	61-9311.7	18mm Ø



Lens, transparent with white diffuser, plastic for flush mount, rectangular indicator and pushbutton actuators

Color	Part No.	Size
Red	61-9681.2	24 x 30mm
Yellow	61-9681.4	24 x 30mm
Green	61-9681.5	24 x 30mm
Blue	61-9681.6	24 x 30mm
Clear	61-9681.7	24 x 30mm

## A Accessories



Lens, transparent with white diffuser, plastic for flush mount, round indicator and pushbutton actuators

Color	Part No.	Size
Red	61-9642.2	25mm Ø
Yellow	61-9642.4	25mm Ø
Green	61-9642.5	25mm Ø
Blue	61-9642.6	25mm Ø
Clear	61-9642.7	25mm Ø



Lens, transparent with white diffuser, plastic for flush mount, square indicator and pushbutton actuators

Color	Part No.	Size
Red	61-9671.2	24 x 24mm
Yellow	61-9671.4	24 x 24mm
Green	61-9671.5	24 x 24mm
Blue	61-9671.6	24 x 24mm
Clear	61-9671.7	24 x 24mm



Lever for selector switch, raised and flush mount, colored lever bar options available as indicated

Color	Part No., Raised	Part No., Flush mount	Window
Red	52-928.20	61-9028.20	Transparent
Yellow	52-928.40	61-9028.40	Transparent
Green	52-928.50	61-9028.50	Transparent
Blue	52-928.60	61-9028.60	Transparent
White	52-928.9	61-9028.9	Opaque
Black	52-928.0	61-9028.0	Opaque

Choose one component from each of the colored sections to assemble a complete switch.  
For other options or further information please contact EAO Switch directly.



**A Accessories**



Keylock switch front bezel, raised black plastic

Image	Part No.	Size
1	61-9250.0	24 x 24mm
2	61-9130.0	18 x 24mm
3	61-9120.0	18 x 18mm
4	61-9110.0	18mm Ø



Flush front bezel for keylocks, black plastic

Image	Part No.	Size
1	61-9230.0	18 x 24mm
2	61-9220.0	18 x 18mm
3	61-9210.0	18mm Ø
4	61-9250.0	24 x 24mm

Flush bezel must be ordered/used with keylock flush mount adapter



Flush mount adapter for indicators and pushbuttons

Image	Part No.	Material	Size
1	61-9933.10	Plastic	25mm Ø
2	61-9933.0	Aluminum	25mm Ø
3	61-9931.0	Plastic	24 x 30mm
4	61-9930.0	Plastic	24 x 24mm
5	61-9933.1	Aluminum	25mm Ø

**A Accessories**



Flush mount adapter for keylocks and selectors

Image	Part No.	Material	Size
1	61-9932.10	Plastic	25mm Ø
2*	61-9936.0	Plastic	24 x 24mm
3	61-9932.0	Aluminum	25mm Ø
4	61-9932.1	Black aluminum	25mm Ø
5**	61-9930.0	Plastic	24 x 24mm
6**	61-9931.0	Plastic	24 x 30mm

For keylocks must also order flush front bezel for keylock  
\* For selectors only \*\* For keylocks only



Flap guard, raised and flush mount

Image	Part No.	Size	Raised/Flush mount
1	61-9922.0	24 x 30mm	Flush
2	61-9921.0	24 x 24mm	Flush
3	61-9924.0	25mm Ø	Flush
4	61-9920.0	24 x 24mm	Raised
5	51-925	18 x 24mm	Raised
6	51-920	18 x 18mm	Raised



Blanking plate

Image	Part No.	Size	Mounting hole
1	61-9450.0	24 x 24mm	16mm Ø
2	61-9452.0	24 x 30mm	21 x 27mm
3	61-9451.0	24 x 24mm	21 x 21mm
4	51-947.0	18 x 24mm	16mm Ø
5	51-948.0	18 x 18mm	16mm Ø
6	51-949.0	18mm Ø	16mm Ø
	61-9453.0	25mm Ø	22.5mm Ø

# Series 61

16mm 22.5mm 21 x 21mm 21 x 27mm IP65 5A 250VAC



Choose one component from each of the colored sections to assemble a complete switch. For other options or further information please contact EAO Switch directly.

## A Accessories

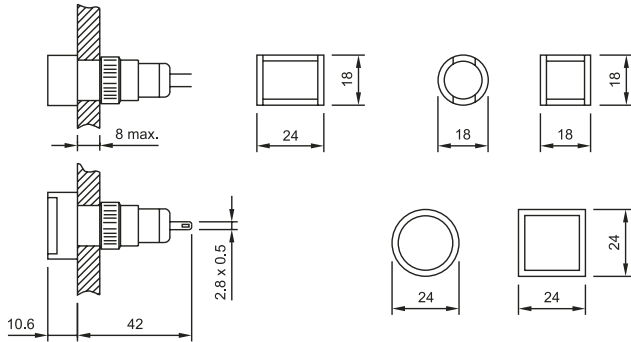
				
<p>Cable shoe for plug-in terminal size 2.8 x 0.5mm and insulation socket</p>		<p>Emergency-stop protective shroud, yellow painted aluminum with 16mm mounting hole</p>	<p>Emergency-stop label, 43mm diameter, English, German, French and no markings, maintains IP65 sealing</p>	
Image	Part No.	Part No.	Part No.	Markings
1	31-929	Contact EAO Switch directly	61-9970.0	No markings
2	31-946		61-9970.2	Emergency Stop
			61-9970.1	Not Aus
			61-9970.3	Arret D'urgence

## A Accessories

						
<p>Emergency-stop switch enclosure with 16mm mounting hole, 65mm (w) x 65mm (h) x 57mm (d) and cable gland M16, front protected to IP65</p>		<p>Lens remover for flush mount, mounting tool, lens remover for raised, contact block remover and LED/lamp remover</p>			<p>Legend plate, adhesive, natural anodized aluminum finish for flush mount round pushbuttons, 22.5mm mounting hole</p>	
Image	Part No.	Image	Part No.	Product description	Image	Part No.
1	61-9480.5	1	61-9730.0	Lens remover for flush mount	1	61-9980.0
2	61-9481.6	2	01-907	Mounting tool	2	704.968.0
		3	02-905	Lens remover for raised	3	704.968.1
		4	61-9711.0	Contact block remover		
		5	61-9740.0	LED/lamp remover		

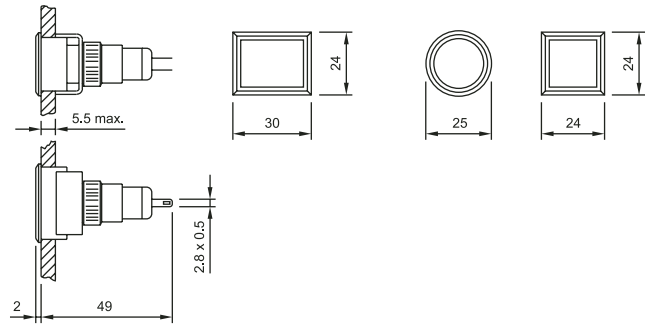
## 61 Indicator

Raised, Round, Square, Rectangular



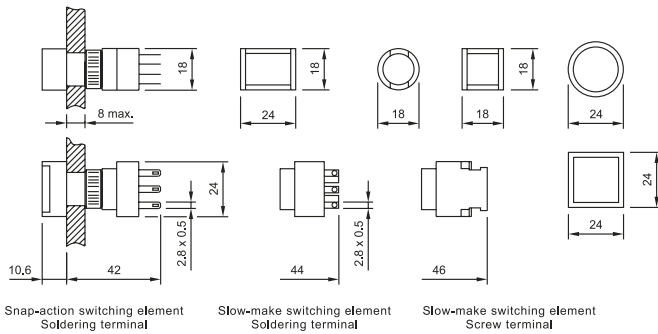
## 61 Indicator

Flush, Round, Square, Rectangular



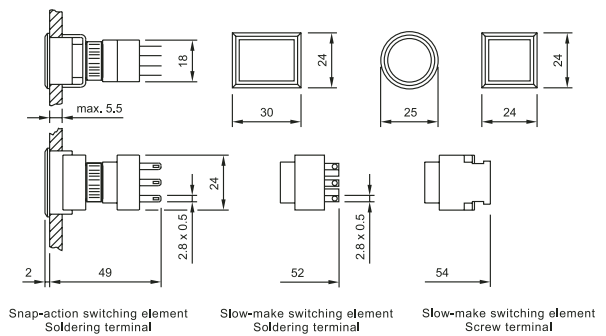
## 61 Pushbutton

Illuminated, Raised, Round, Square, Rectangular



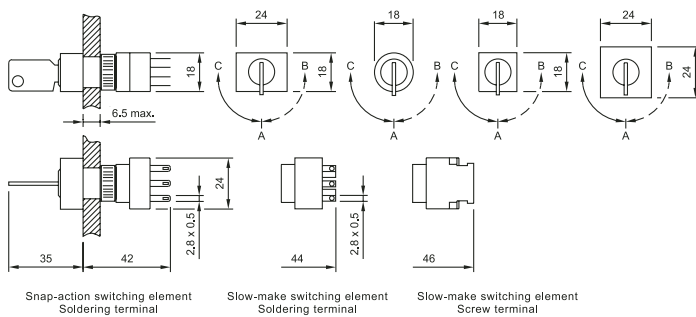
## 61 Pushbutton

Illuminated, Flush, Round, Square, Rectangular



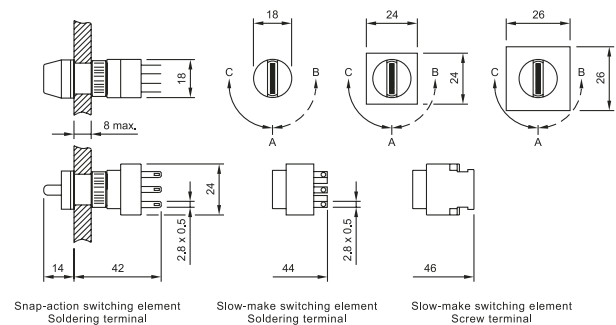
## 61 Keylock

2 & 3-Position, Round, Square, Rectangular



## 61 Selector

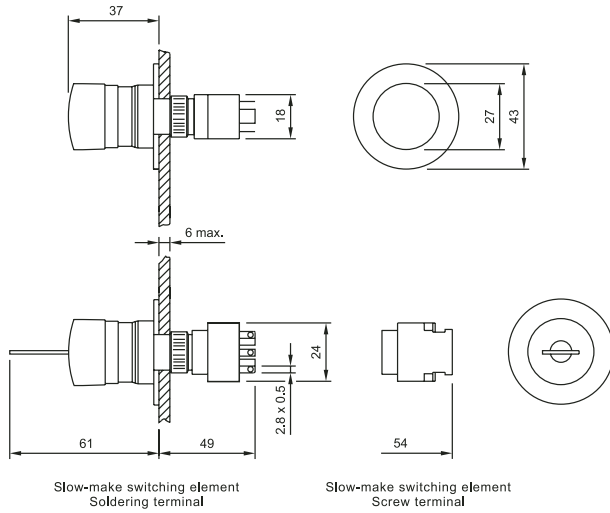
2 & 3-Position, Round, Square, Rectangular





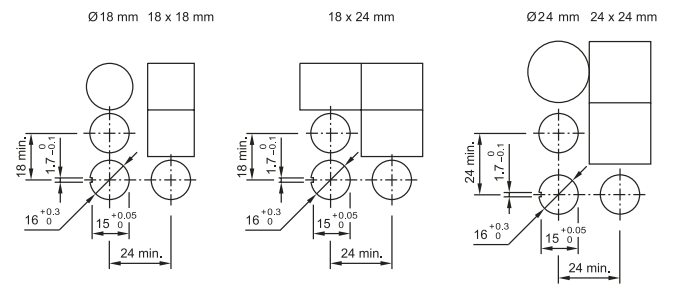
## 61 E-Stop

EN 418, EN 418 with Key



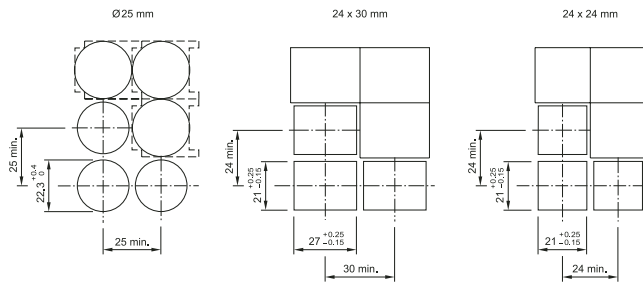
## 61 Cut-outs

Raised Indicators, Pushbuttons, Keylocks and Selectors



## 61 Cut-outs

Indicator Flush, Pushbutton Flush



## 61 E-Stop Cut-outs

EN 418, EN 418 with Key

