

Datasheet

SFP Bidirectional Transceivers

SFP-GD-BX34xx and SFP-GD-BX43xx



Features

- SFF-8472 compliance (SFP)
- 1250 Mbps data rates
 - IEEE 802.3ah
 - Gigabit Ethernet
- Single-mode optics
- Single fiber, bi-directional
- Separate Tx and Rx wavelengths
- Class 1 laser (Tx): 1310 nm or 1490 nm
- 22 km reach
- Digital Diagnostics (SFF-8724)
- Commercial and industrial temperature availability

General Operations

Parameter	Symbol	Min.	Max.	Unit
Supply Voltage	V_{CC}	3.135	3.465	V
Total Current	I_{CC}	-	300	mA
Power Supply Noise Rejection ^a	PSR	100	-	mV _{p-p}
Operating Temperature of SFP Case ^b	T_{op}	-5	70	°C
Operating Temperature of SFP Case ^b (TH)	T_{op}	-40	85	°C
Storage Temperature	T_{st}	-40	85	°C
Data Rate	DR	-	1250	Mbps

a) 20 Hz to 155 MHz

b) Maximum Relative Humidity is 85%, non-condensing

Transmitter Specifications (Optical)

Parameter	Symbol	Min	Max	Unit
Optical Power	P_{op}	-9	-3	dBm
Optical Crosstalk	χ_T	-	-40	dB
Average Launch Power Of Off Tx	P_{off}	-	-45	dBm
Extinction Ratio	ER	6	-	dB
Eye Mask	IEEE 802.3ah			
Optical Rise Time (20% to 80% values)	t_r	-	260	ps
Optical Fall Time (20% to 80% values)	t_f	-	260	ps
Mean TX Wavelength SFP-GD-BX34xx: 1310	λ	1260	1360	nm
Mean TX Wavelength SFP-GD-BX43xx: 1490	λ	1480	1500	nm
Spectral Width (RMS) SFP-GD-BX34xx	σ	-	3.5	nm
Spectral Width (RMS) SFP-GD-BX43xx	σ	-	0.88	nm
Relative Intensity Noise	RIN	-	-120	dB/Hz
Transmitter Reflectance	-	-	-12	dB
Optical Return Loss Tolerance	ORLT	-	12	dB

Datasheet

Transmitter Specifications (Electrical)

Parameter	Symbol	Min	Max	Unit
Input Differential Impedance	R_{in}	80	120	Ω
PECL Single Ended Data Input Swing	$V_{in,p-p}$	250	1200	mV
TxFault_Fault	V_{fault}	2	V_{cc}	V
TxFault_Normal	V_{normal}	V_{ee}	$V_{ee}+0.5$	V
TxDisable_Disable	V_d	2	V_{cc}	V
TxDisable_Enable	V_{en}	V_{ee}	$V_{ee}+0.8$	V

Receiver Specifications (Optical)

Parameter	Symbol	Min	Max	Unit
Receive Power ^a	$R_{sens,low/high}$	-22 (sensitivity)	-3 (saturation)	dBm
Damage Threshold For Receiver	$P_{in,damage}$	0	-	dBm
Mean Rx Wavelength SFP-GD-BX34xx: 1550 ^d	λ	1480	1580	nm
Mean Rx Wavelength SFP-GD-BX43xx: 1310 ^d	λ	1260	1360	nm
LOS Assert	-	-45	-	dBm
LOS De-assert	-	-	-20	dBm
LOS Hysteresis:	-	0.5	-	dB
Receiver Reflectance	-	-	-12	dB

a) Measured at 10^{-12} BER, PRBS 2⁷-1, 6 dB ER

b) Receiver performance can be maintained over a broader wavelength range

Receiver Specifications (Electrical)

Parameter	Symbol	Min	Max	Unit
PECL Single Ended Data Output Swing	$V_{out,p-p}$	185	800	mV
Data Output Rise Time	t_r	-	500	ns
Data Output Fall Time	t_f	-	500	ns

Timing and Electrical

Parameter	Symbol	Min	Max	Unit
Tx Disable Negate Time	t_{on}	-	1	ms
Tx Disable Assert Time	t_{off}	-	10	μ s
Time To Initialize, Including Reset Of Tx Fault	t_{init}	-	300	ms
Tx Fault Assert Time	t_{fault}	-	100	μ s
Tx Disable To Reset	t_{reset}	10	-	μ s
LOS Assert Time	$t_{loss_{on}}$	-	100	μ s
LOS De-assert Time	$t_{loss_{off}}$	-	100	μ s
Serial ID Clock Rate	f_{serial_clock}	-	100	KHz
RX_LOS Voltage (High)	RX_LOS_H	2	-	V
RX_LOS Voltage (Low)	RX_LOS_L	-	0.8	V
LOS Output Voltage-Fault	$V_{LOS\ fault}$	2	V_{cc}	V
LOS Output Voltage-Normal	$V_{LOS\ normal}$	V_{ee}	$V_{ee}+0.5$	V
MOD_DEF (0:2)-High	V_H	2	V_{cc}	V
MOD_DEF (0:2)-Low	V_L	V_{ee}	$V_{ee}+0.5$	V

Datasheet

Digital Diagnostics						
Parameter	Range	Accuracy	Unit	Calibration	Bit Value	Formula
Temperature (SFP-GD-BX34/43 and SFP-GD-BX34/43SC)	-5 to 70	± 3	° C	Internal	1/256 C	$T_c(C) = T_{ad}(16 \text{ bit signed twos complement})/256$
Temperature (SFP-GD-BX34/43TH)	-40 to 85	± 3	° C	Internal	1/256 C	$T_c(C) = T_{ad}(16 \text{ bit signed twos complement})/256$
Voltage	0 to V_{CC}	0.1	V	Internal	100µV	$V(\text{Volts}) = V_{ad}(16 \text{ bit unsigned integer}) * 0.1$
Bias Current	0 to 120	5	mA	External	-	$I(\text{mA}) = I_{slope} * I_{ad}(16 \text{ bit unsigned integer}) + I_{offset}$
TX Power	-9 to -3	±3 dB	dBm	External	-	$TX_PWR(\mu W) = TX_PWR_{slope} * TX_PWR_{ad}(16 \text{ bit unsigned integer}) + TX_PWR_{offset}$
RX Power	-20 to -3	±3 dB	dBm	External	-	$RX_PWR(\mu W) = A0 + A1 * x + A2 * x^2 + A3 * x^3 + A4 * x^4$

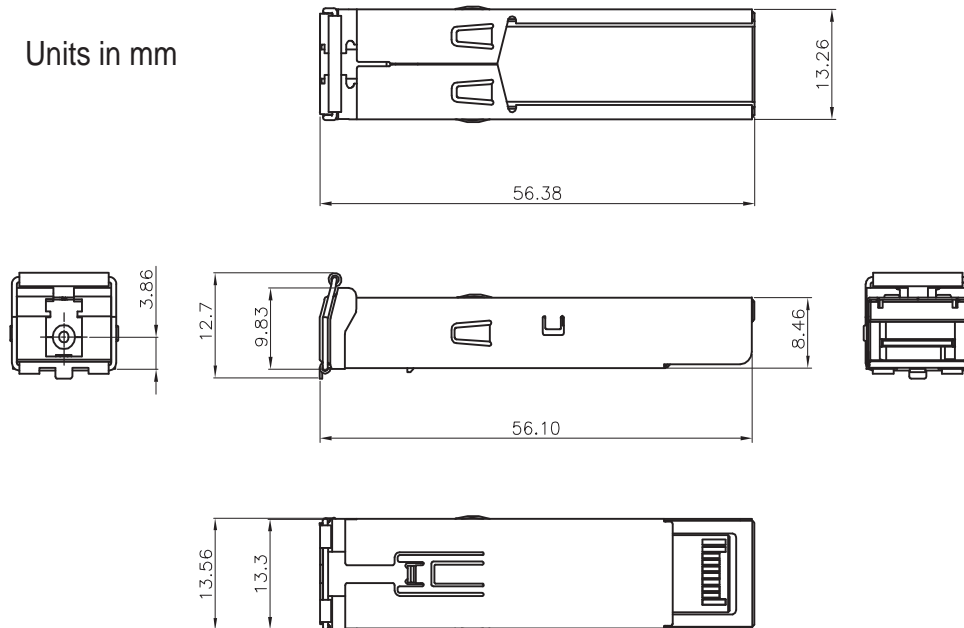
Pin	Function	Notes
1	V_{eeT}	TX GND
2	TX_FAULT	Open Collector
3	TX_DISABLE	Internally Pulled High
4	MOD_DEF2	Serial Data Input
5	MOD_DEF1	Serial Clock Input
6	MOD_DEF0	Internally Grounded
7	NC	Not Connected
8	LOS	Open Collector
9	V_{eeR}	RX Ground
10	V_{eeR}	RX Ground
11	V_{eeR}	RX Ground
12	RXD-	RX Data Negative
13	RXD+	RX Data Positive
14	V_{eeR}	RX GND
15	V_{ccR}	RX Power
16	V_{ccT}	TX Power
17	V_{eeT}	TX GND
18	TXD+	TX Data Positive
19	TXD-	TX Data Negative
20	V_{eeT}	TX GND

Ordering Information						
Model	Description	Data Rate (Mbps)	Wavelength (nm)	Connector Type	Bail Latch Color	Distance Range (km)
SFP-GD-BX34	SFP Bidirectional Transceiver	1250	1310/1490	LC	Blue	0-22
SFP-GD-BX43	SFP Bidirectional Transceiver	1250	1490/1310	LC	Purple	0-22
SFP-GD-BX34TH	SFP Bidirectional Transceiver (Temperature Hardened)	1250	1310/1490	LC	Blue	0-22
SFP-GD-BX43TH	SFP Bidirectional Transceiver (Temperature Hardened)	1250	1490/1310	LC	Purple	0-22
SFP-GD-BX34SC	SFP Bidirectional Transceiver	1250	1310/1490	SC	Blue	0-22
SFP-GD-BX43SC	SFP Bidirectional Transceiver	1250	1490/1310	SC	Purple	0-22

Datasheet

Outline Drawing

Units in mm



Regulatory Compliances

RoHS directive; China RoHS; California RoHS Law, USA and Canada UL listing; 21CFR 1040.10 and 1040.11; SFP MSA SFF-8074i; SFF-8472; Telecordia GR-468; GR-253/STM G.957 compliance

Warnings

Handling Precautions: This device is susceptible to damage as a result of electrostatic discharge (ESD). A static free environment is highly recommended. Follow guidelines according to proper ESD procedures.

Laser Safety: Radiation emitted by laser devices can be dangerous to human eyes. Avoid eye exposure to direct or indirect radiation.

MRV has more than 50 offices throughout the world. Addresses, phone numbers and fax numbers are listed at www.mrv.com. Please e-mail us at sales@mrv.com or call us for assistance.

MRV Los Angeles
20415 Nordhoff St.
Chatsworth, CA 91311
800-338-5316
818-773-0900

MRV Boston
295 Foster St.
Littleton, MA 01460
800-338-5316
978-952-4700

MRV International
Business Park Moerfelden
Waldeckerstrasse 13
64546 Moerfelden-Walldorf
Germany
Tel. (49) 6105/2070
Fax (49) 6105/207-100

All statements, technical information and recommendations related to the products herein are based upon information believed to be reliable or accurate. However, the accuracy or completeness thereof is not guaranteed, and no responsibility is assumed for any inaccuracies. Please contact MRV Communications for more information. MRV Communications and the MRV Communications logo are trademarks of MRV Communications, Inc. Other trademarks are the property of their respective holders.