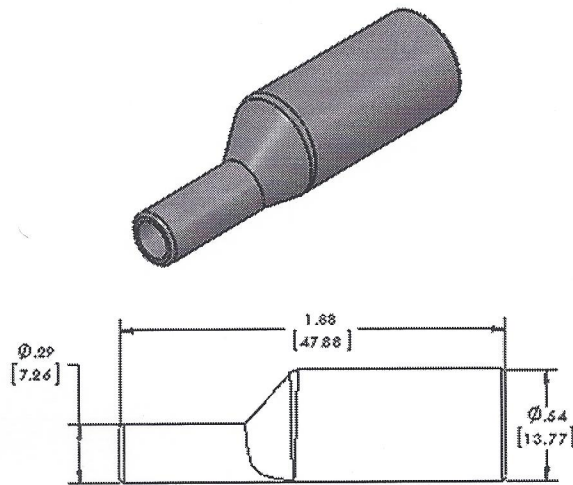
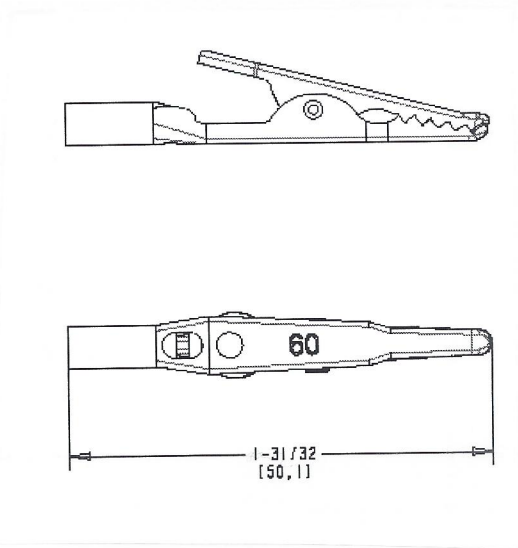




BU-P2240-*
(ALLIGATOR CLIPS AND INSULATORS)



DESCRIPTION:

Mueller's world famous BU-60 alligator Clips and BU-62-* Insulators sold in a convenient (10-Pack.) Clip can be crimped or soldered to wire from 22-14 AWG.

MATERIAL:

Clip: Nickel plated Steel.
Insulator: Chemical resistant PVC

Ratings:

10 Amps, Hands free testing up to 1,000 VRMS.

Colors:

* In part number indicates color of insulator: -0 Black, -2 Red, -4 Yellow, -5 Green, -6 Blue, -9 White

Parts are packaged (10 clips and 10 insulators) per Bag

RoHS Compliant