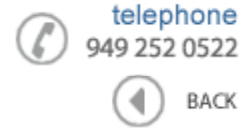





Data Sheet



Product Category: TXCO Surface Mount

Series Number	Package	Description	Last Modified
521 ~ 524	14 Pin DIP Low Profile SMD	HCMOS / TTL / Clipped Sine	Jan. 01 2007

FEATURES

- High stable output over wide temperature range
- 4.7mm height max low profile TCXO
- Industry standard DIP 14 pin lead spacing
- RoHs / Lead Free compliant 



OPERATING CONDITIONS / ELECTRICAL CHARACTERISTICS

PARAMETERS	CONDITIONS	521	522	523	524	UNITS
Output	-	TTL	HCMOS	Clipped Sine	Compatible*	-
Frequency Range	fo	1.20 ~ 100.0		9.60 ~ 35.0	1.20 ~ 100.0	MHz
Output	Load	10TTL Load or 15pF HCMOS Load Max.		10K ohm // 10pF	-	-
	Level	High	2.4 VDC min.	VDD -0.5 VDC min.	1.0 Vp-p min.	-
		Low	0.4 VDC max.	0.5 VDC max.		
Frequency Stability	Vs. Temp Range	See Table 1				-
	Vs. Input Voltage (5%)	±0.5 max.				PPM
	Vs. Load	±0.3 max.				PPM
	Vs. Aging (@+25°C)	±1.0 per year				PPM
Input	Voltage	+5.0 ±5% / +3.3 ±5%				VDC
	Current	20 max. / 40 max.		3 max.	-	mA
Frequency Adjustment	-	±3.0 min.				PPM
Rise Time / Fall Time	-	10 max.		-	-	nS
Duty Cycle	-	50 ±10% max.		-	-	-
Storage Temperature	(TSTG)	-40 ~ +85				°C
Voltage Control Range	-	2.5 VDC ±2.0 Positive Transfer Characteristic				-

*Compatible (524 Series) meets TTL and HCMOS mode simultaneously

TABLE 1 - FREQUENCY STABILITY - TEMPERATURE TOLERANCE

P/N Code	Temperature Range	Frequency Stability (PPM)							
		1.5	2.0	2.5	3.0	3.5	4.0	4.5	5.0
A	0 ~ +50°C	x	x	x	x	x	x	x	x
B	-10 ~ +60°C	x	x	x	x	x	x	x	x
C	-10 ~ +70°C	O	x	x	x	x	x	x	x
D	-20 ~ +70°C	O	x	x	x	x	x	x	x
E	-30 ~ +60°C		O	x	x	x	x	x	x
F	-30 ~ +70°C		O	x	x	x	x	x	x
G	-30 ~ +75°C			x	x	x	x	x	x
H	-40 ~ +80°C					x	x	x	x

x	available all Frequency
O	avail up to 25MHz only

*Other Temperature and Frequency Stabilities may be available. Check with Oscilent for details.

PACKAGE DIMENSIONS (mm)

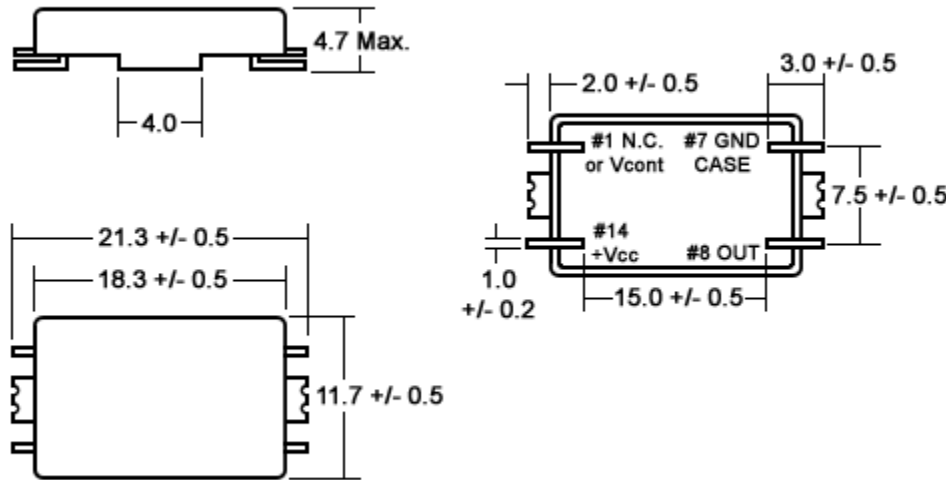


Figure 1) Bottom, Top, and Side Views

PART NUMBER GUIDE

Series Number	Frequency	Voltage Supply Option	Frequency Stability (max.)	Operating Temp. (°C)	Frequency Deviation
522	- 4.0 M	- 3	45	H	- 5
Oscilent 521 = TTL 522 = HCMOS 523 = Clipped Sine Wave 524 = Compatible	Enter your desired frequency e.g. 12.0M = 12.000MHz	5 = 5VDC 3 = 3.3VDC	15 = ±1.5 PPM 20 = ±2.0 PPM 25 = ±2.5 PPM 30 = ±3.0 PPM 35 = ±3.5 PPM 40 = ±4.0 PPM 45 = ±4.5 PPM 50 = ±5.0 PPM	A = 0 ~ +50 B = -10 ~ +60 C = -10 ~ +70 D = -20 ~ +70 E = -30 ~ +60 F = -30 ~ +70 G = -30 ~ +75 H = -40 ~ +80	NC = No Connection (TCXO) 05 = ±5 PPM min. 10 = ±10 PPM min.
<p>NOTE: - Deviations on all parameters available. Please consult Oscilent for details. DEFINITIONS: - Click on the characteristic names above for definitions of that particular characteristic. *STANDARDS: - "Blank" part number selections indicate standard variables for that particular characteristic. PACKAGING: - Add -TR for Tape/Reel. Click here for tape/reel specifications</p>					

Oscilent Corporation - CALL 949.252.0522

Series No.: 521 to 524

18195 East McDermott Street, Building D, Irvine, CA 92614, USA
 Fax: 949.252.0599, E-Mail: Sales@Oscilent.com