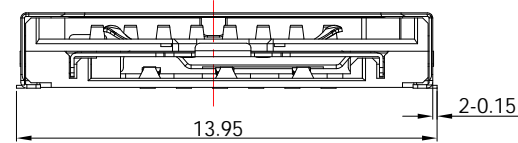
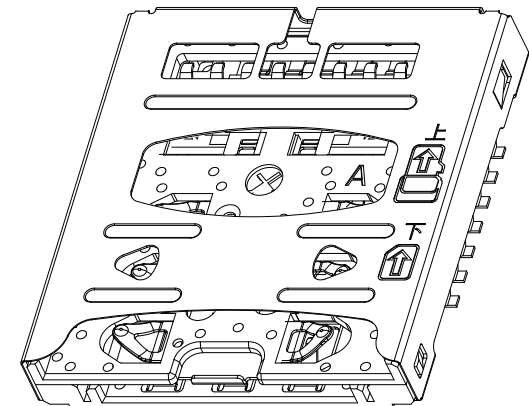


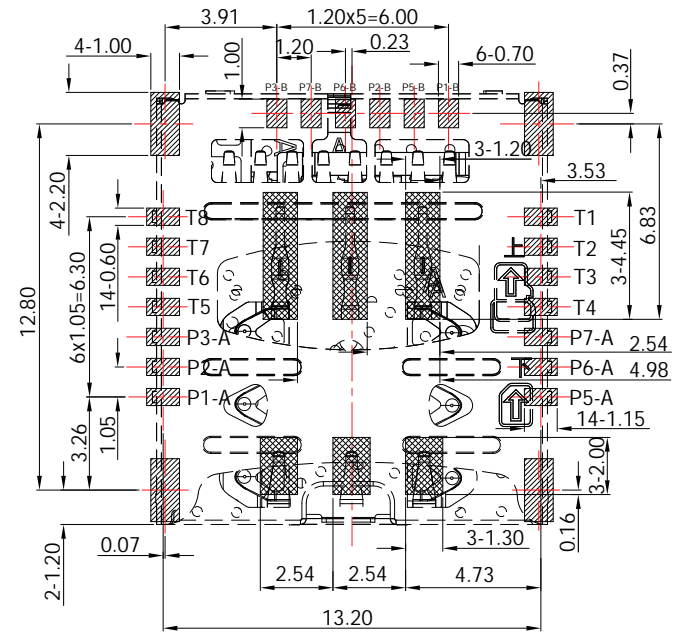
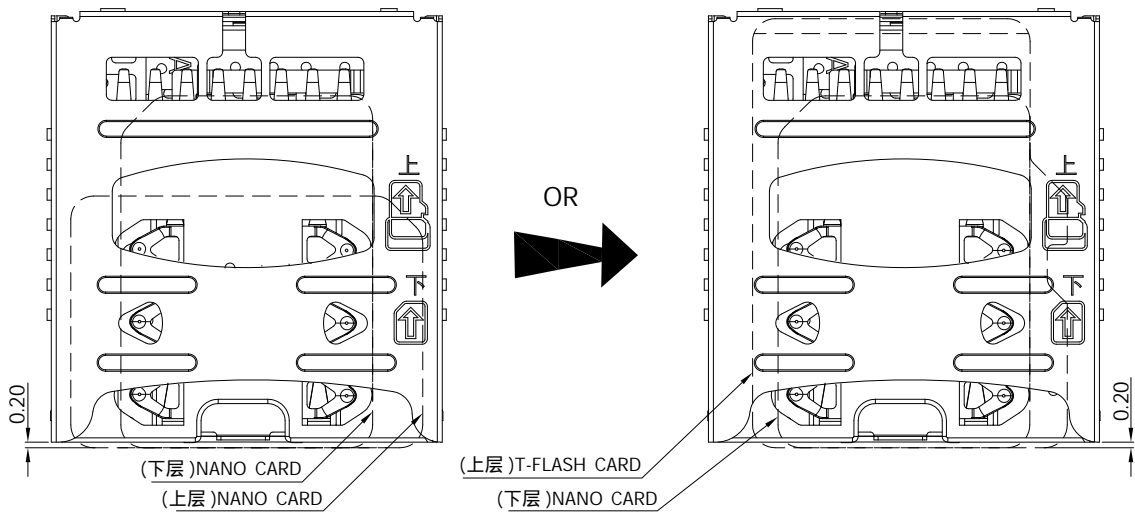
- NOTES :
- ELECTRICAL CHARACTERISTICS
 - 1-1.CONTACT RESISTANCE : 60 Milliohms Max
 - 1-2.INSULATION RESISTANCE : 1,000 Megohms Min
 - 1-3.DIELECTRIC WITHSTANDING VOLTAGE : 250V AC FOR 1 MINUTE
 - MECHANICAL CHARACTERISTICS
 - 2-1.OPERATION TEMPERATURE RANGE : -40 ~ +80
 - 2-2.DURABILITY : 3,000 CYCLES
 - MATERIAL :
 - 3-1.HOUSING : THERMOPLASTIC,UL 94-V0
 - 3-2.TERMINAL : PHOSPHOR BRONZE
 - 3-3.SHELL : STAINLESS STEEL
 - FINISHED :
 - 4-1.TERMINAL : Ni PLATED UNDER,Au PLATED ON CONTACT AREA,G/F PLATED ON SOLDER TAIL
 - 4-2.SHELL : Ni PLATED UNDER,G/F PLATED ON SOLDER TAIL



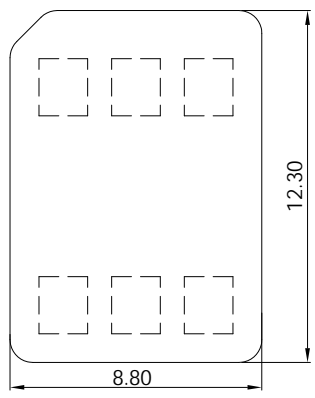
T-CARD	P/N	Description
T1		DAT2
T2		CD/DAT3
T3		CMD
T4		VDD
T5		CLK
T6		VSS)
T7		DAT0
T8		DAT1

NANO SIM	P/N	Description
P1	A/B	VCC
P2	A/B	RST
P3	A/B	CLK
P5	A/B	GND
P6	A/B	VPP
P7	A/B	I/O

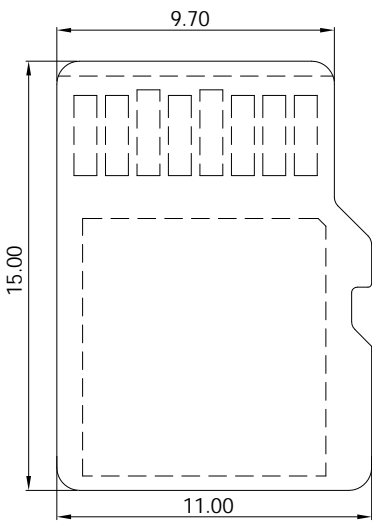
MANUFACTURE DWG			东莞市讯普电子科技有限公司 DongGuan XunPu Electronics Co.,Ltd		
UNLESS OTHERWISE SPECIFIED TOLERANCES			TITLE: 2.5H 3 CHOOSE 2 双层卡座 (DUAL NANO OR NANO+T-CARD) FOR CUSTOMER		
DECIMALS:	ANGLES:	PAR	MCS-304		
XX.±0.30	X:±2°	DWN	KING	2012.3.08	
X.±0.25	X.X:±1°	CHKD	APVD		
.X:±0.20		SCALE 1:1	UNIT: mm	⊕	
		CUSTOMER COPY	SIZE:A4	SHEET:1F1	
				REV:A	



RECOMMENDED PCB LAYOUT (TOLERANCE ± 0.05)
 RECOMMENDED METAL MASK T=0.12mm SCALE: 1:1
 PAD AREA NO COLIOT AREA (TPP VIEW)



NANO SIM CARD



T-FLASH CARD

MANUFACTURE DWG		东莞市讯普电子科技有限公司 DongGuan XunPu Electronics Co.,Ltd			
UNLESS OTHERWISE SPECIFIED TOLERANCES			TITLE: 2.5H 3 CHOOSE 2 双层卡座 (DUAL NANO OR NANO+T-CARD) FOR CUSTOMER		
			PAR	MCS-304	
DECIMALS: XX.±0.30			DWN	KING	2012.3.08
ANGLES: X:±2°			CHKD		
X.±0.25		APVD			
X:±0.20		SCALE 1:1	UNIT: mm		
		CUSTOMER COPY	SIZE:A4	SHEET:1F1	
				REV:A	