

Ultra-Low Supply-Current/Supply-Voltage Supervisory Circuits

FEATURES

- **Controlled Baseline**
 - One Assembly Site
 - One Test Site
 - One Fabrication Site
- **Extended Temperature Performance of –55°C to 125°C**
- **Enhanced Diminishing Manufacturing Sources (DMS) Support**
- **Enhanced Product-Change Notification**
- **Qualification Pedigree ⁽¹⁾**
- **Precision Supply Voltage Supervision Range: 0.9 V, 1.2 V, 1.5 V, 1.6 V, 2 V, and 3.3 V**
- **High Trip-Point Accuracy: 0.75%**
- **Supply Current of 1.2 μ A (Typ)**
- **$\overline{\text{RESET}}$ Defined With Input Voltages as Low as 0.4 V**
- **Power-On Reset Generator With a Delay Time of 130 ms**
- **Push/Pull or Open-Drain $\overline{\text{RESET}}$ Outputs**
- **SOT23-6 Package**

- (1) Component qualification in accordance with JEDEC and industry standards to ensure reliable operation over an extended temperature range. This includes, but is not limited to, Highly Accelerated Stress Test (HAST) or biased 85/85, temperature cycle, autoclave or unbiased HAST, electromigration, bond intermetallic life, and mold compound life. Such qualification testing should not be viewed as justifying use of this component beyond specified performance and environmental limits.

APPLICATIONS

- **Applications Using Low-Power DSPs, Microcontrollers, or Microprocessors**
- **Portable- and Battery-Powered Equipment**
- **Intelligent Instruments**
- **Wireless Communication Systems**
- **Industrial Equipment**
- **Notebook/Desktop Computers**

DESCRIPTION

The TPS310x and TPS311x families of supervisory circuits provide circuit initialization and timing supervision, primarily for DSP and processor-based systems.

During power-on, $\overline{\text{RESET}}$ is asserted when the supply voltage (V_{DD}) becomes higher than 0.4 V. Thereafter, the supervisory circuit monitors V_{DD} and keeps the $\overline{\text{RESET}}$ output active as long as V_{DD} remains below the threshold voltage (V_{IT}). An internal timer delays the return of the output to the inactive state to ensure proper system reset. The delay time starts after V_{DD} has risen above V_{IT} . When V_{DD} drops below V_{IT} , the output becomes active again.

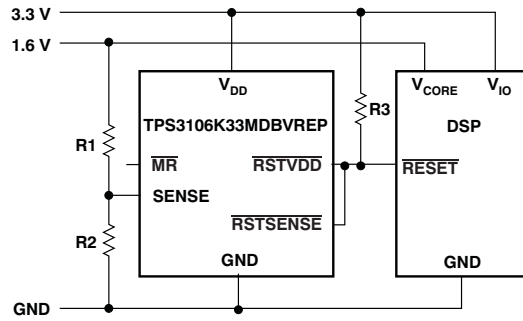
All the devices of this family have a fixed-sense threshold voltage (V_{IT}) set by an internal voltage divider.

The TPS3103 and TPS3106 have an active-low, open-drain $\overline{\text{RESET}}$ output. The TPS3110 has an active-low push/pull $\overline{\text{RESET}}$.

The product spectrum is designed for supply voltages of 0.9 V up to 3.3 V. The circuits are available in SOT23-6 packages. The TPS31xx family is characterized for operation over a temperature range of –55°C to 125°C.



Please be aware that an important notice concerning availability, standard warranty, and use in critical applications of Texas Instruments semiconductor products and disclaimers thereto appears at the end of this data sheet.



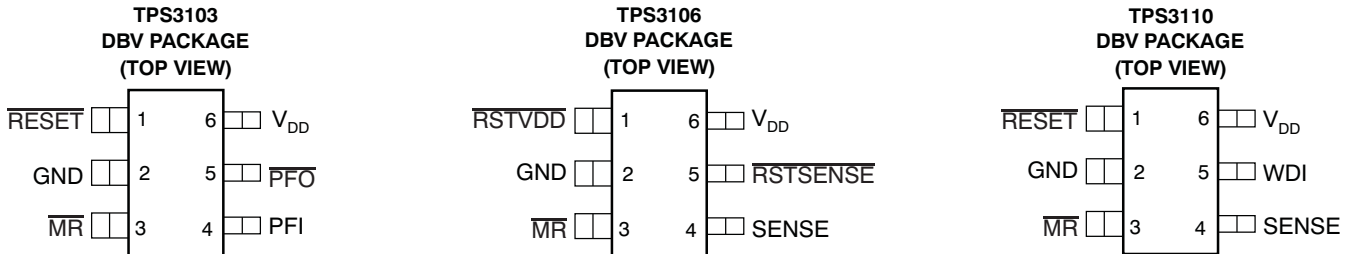
Typical Application Circuit



This integrated circuit can be damaged by ESD. Texas Instruments recommends that all integrated circuits be handled with appropriate precautions. Failure to observe proper handling and installation procedures can cause damage.

ESD damage can range from subtle performance degradation to complete device failure. Precision integrated circuits may be more susceptible to damage because very small parametric changes could cause the device not to meet its published specifications.

PIN DESCRIPTIONS



TERMINAL FUNCTIONS

TERMINAL			DESCRIPTION
NAME	DEVICE	NO.	
GND	All	2	Ground
MR	All	3	Manual reset input. Pull low to force a reset. RESET remains low as long as MR is low and for the timeout period after MR goes high. Leave unconnected or connect to V _{DD} when unused.
PFI	TPS3103	4	Power-fail input. Compares to 0.551 V with no additional delay. Connect to V _{DD} if not used.
PFO	TPS3103	5	Power-fail output. Goes high when voltage at PFI rises above 0.551 V.
RESET	TPS3103, TPS3110	1	Active-low reset output. Either push-pull or open-drain output stage.
RSTSENSE	TPS3106	5	Active-low reset output. Logic level at RSTSENSE only depends on the voltage at SENSE and the status of MR.
RSTVDD	TPS3106	1	Active-low reset output. Logic level at RSTVDD only depends on the voltage at V _{DD} and the status of MR.
SENSE	TPS3106, TPS3110	4	Sense. A reset is asserted if the voltage at SENSE is lower than 0.551 V. Connect to V _{DD} if unused.
V _{DD}	All	6	Supply voltage. Powers the device and monitors its own voltage.
WDI	TPS3110	5	Watchdog timer input. If WDI remains high or low longer than the time-out period, reset is triggered. The timer clears when reset is asserted or when WDI sees a rising edge or a falling edge.

ORDERING INFORMATION⁽¹⁾

ORDERABLE PART NUMBER	NOMINAL SUPPLY VOLTAGE	THRESHOLD VOLTAGE, V _{IT} ⁽²⁾	SYMBOL
TPS3103E12MDBVREP ⁽³⁾	1.2 V	1.142 V	TBD
TPS3103E15MDBVREP ⁽³⁾	1.5 V	1.434 V	TBD
TPS3103H20MDBVREP ⁽³⁾	2 V	1.84 V	TBD
TPS3103K33MDBVREP ⁽³⁾	3.3 V	2.941 V	TBD
TPS3106E09MDBVREP ⁽³⁾	0.9 V	0.86 V	TBD
TPS3106E16MDBVREP ⁽³⁾	1.6 V	1.521 V	TBD
TPS3106K33MDBVREP	3.3 V	2.941 V	AAVM
TPS3110E09MDBVREP ⁽³⁾	0.9 V	0.86 V	TBD
TPS3110E12MDBVREP ⁽³⁾	1.2 V	1.142 V	TBD
TPS3110E15MDBVREP ⁽³⁾	1.5 V	1.434 V	TBD
TPS3110K33MDBVREP ⁽³⁾	3.3 V	2.941 V	TBD

(1) For the most current package and ordering information, see the Package Option Addendum at the end of this document, or see the TI web site at www.ti.com.

(2) Custom threshold voltages are available. Minimum order quantities apply. Contact TI for details and availability.

(3) Product Preview

AVAILABLE OPTIONS

DEVICE	RESET OUTPUT	RSTSENSE, RSTVDD OUTPUT	SENSE INPUT	WDI INPUT	PFO OUTPUT
TPS3103	Open drain				Open drain
TPS3106		Open drain	ū		
TPS3110	Push-pull		ū	ū	

ABSOLUTE MAXIMUM RATINGS⁽¹⁾

over operating free-air temperature range (unless otherwise noted)

	VALUE	UNIT
Supply voltage range, V_{DD} ⁽²⁾	-0.3 to 3.6	V
All other pins ⁽²⁾	-0.3 to 3.6	V
Maximum low output current, I_{OL}	5	mA
Maximum high output current, I_{OH}	-5	mA
Input clamp current, I_{IK} ($V_I < 0$ or $V_I > V_{DD}$)	±10	mA
Output clamp current, I_{OK} ($V_O < 0$ or $V_O > V_{DD}$)	±10	mA
Operating temperature range, T_A	-55 to 125	°C
Storage temperature range, T_{stg}	-65 to 150	°C
Soldering temperature	260	°C

- (1) Stresses beyond those listed under *absolute maximum ratings* may cause permanent damage to the device. These are stress ratings only, and functional operation of the device at these or any other conditions beyond those indicated under *recommended operating conditions* is not implied. Exposure to absolute-maximum-rated conditions for extended periods may affect device reliability.
- (2) All voltage values are with respect to GND. For reliable operation, the device must not be operated at 3.6 V for more than $t = 1000h$ continuously

RECOMMENDED OPERATING CONDITIONS

over operating free-air temperature range (unless otherwise noted)

	MIN	MAX	UNIT
Supply voltage, V_{DD} ⁽¹⁾	0.4	3.3	V
Input voltage, V_I	0	$V_{DD} + 0.3$	V
High-level input voltage, V_{IH} at \overline{MR} , WDI	$0.7 \times V_{DD}$		V
Low-level input voltage, V_{IL} at \overline{MR} , WDI		$0.3 \times V_{DD}$	V
Input transition rise and fall rate at $\Delta t/\Delta V$ at \overline{MR} , WDI		100	ns/V
Operating temperature, T_A	-55	125	°C

- (1) For proper operation of SENSE, PFI, and WDI functions: $V_{DD} \geq 0.8$ V.

ELECTRICAL CHARACTERISTICS

over operating free-air temperature range (unless otherwise noted)

PARAMETER		TEST CONDITIONS	MIN	TYP	MAX	UNIT
V_{OH}	High-level output voltage	$V_{DD} = 3.3$ V, $I_{OH} = -3$ mA	$0.8 \times V_{DD}$			V
		$V_{DD} = 1.8$ V, $I_{OH} = -2$ mA				
		$V_{DD} = 1.5$ V, $I_{OH} = -1$ mA				
		$V_{DD} = 0.9$ V, $I_{OH} = -0.4$ mA				
		$V_{DD} = 0.5$ V, $I_{OH} = -5$ μ A				
V_{OL}	Low-level output voltage	$V_{DD} = 3.3$ V, $I_{OL} = 3$ mA			0.3	V
		$V_{DD} = 1.5$ V, $I_{OL} = 2$ mA				
		$V_{DD} = 1.2$ V, $I_{OL} = 1$ mA				
		$V_{DD} = 0.9$ V, $I_{OL} = 500$ μ A				
V_{OL}	Low-level output voltage	RESET only	$V_{DD} = 0.4$ V, $I_{OL} = 5$ μ A		0.1	V

ELECTRICAL CHARACTERISTICS (continued)

over operating free-air temperature range (unless otherwise noted)

PARAMETER		TEST CONDITIONS	MIN	TYP	MAX	UNIT	
V _{IT-}	Negative-going input threshold voltage ⁽¹⁾	TPS31xxE09	0.854	0.86	0.866	V	
		TPS31xxE12	1.133	1.142	1.151		
		TPS31xxE15	1.423	1.434	1.445		
		TPS31xxE16	1.512	1.523	1.534		
		TPS31xxH20	1.829	1.843	1.857		
		TPS31xxK33	2.905	2.941	2.970		
V _{IT-(S)}	Negative-going input threshold voltage ⁽²⁾	SENSE, PFI	V _{DD} ≥ 0.8 V, T _A = 25°C	0.540	0.551	0.569	V
			V _{DD} ≥ 0.8 V, T _A = Full Range	0.530	0.551	0.575	
V _{HYS}	Hysteresis at V _{DD} input		0.8 V ≤ V _{IT} < 1.5 V	20		mV	
			1.6 V ≤ V _{IT} < 2.4 V	30			
			2.5 V ≤ V _{IT} < 3.3 V	60			
T _(K)	Temperature coefficient of V _{IT-} , PFI, SENSE	T _A = -55°C to 125°C		-0.012	-0.019	%/K	
V _{HYS}	Hysteresis at SENSE, PFI input	V _{DD} ≥ 0.8 V		15		mV	
I _{IH}	High-level input current	\overline{MR}	$\overline{MR} = V_{DD}$, V _{DD} = 3.3 V	-30		25	nA
		SENSE, PFI, WDI	SENSE, PFI, WDI = V _{DD} , V _{DD} = 3.3 V	-25		25	
I _{IL}	Low-level input current	\overline{MR}	$\overline{MR} = 0$ V, V _{DD} = 3.3 V	-47	-33	-25	μA
		SENSE, PFI, WDI	SENSE, PFI, WDI = 0 V, V _{DD} = 3.3 V	-25		25	nA
I _{OH}	High-level output current at RESET ⁽³⁾	Open drain	V _{DD} = V _{IT} + 0.2 V, V _{OH} = 3.3 V			200	nA
I _{DD}	Supply current		V _{DD} > V _{IT} (average current), V _{DD} < 1.8 V		1.2	3	μA
			V _{DD} > V _{IT} (average current), V _{DD} > 1.8 V		2	4.5	
			V _{DD} < V _{IT} , V _{DD} < 1.8 V			29	
			V _{DD} < V _{IT} , V _{DD} > 1.8 V			32	
Internal pullup resistor at \overline{MR}				70	100	130	kΩ
C _I	Input capacitance at \overline{MR} , SENSE, PFI, WDI	V _I = 0 V to V _{DD}		1			pF

(1) To ensure the best stability of the threshold voltage, a bypass capacitor (ceramic, 0.1 μF) should be placed close to the supply terminals.

(2) To ensure the best stability of the threshold voltage, a bypass capacitor (ceramic, 0.1 μF) should be placed close to the supply terminals.

(3) Also refers to \overline{RSTVDD} and $\overline{RSTSENSE}$.

SWITCHING CHARACTERISTICS

R_L = 1 MΩ, C_L = 50 pF, and T_A = -55°C to 125°C (unless otherwise noted)

PARAMETER		TEST CONDITIONS	MIN	TYP	MAX	UNIT
t _d	Delay time	V _{DD} ≥ 1.1 × V _{IT} , $\overline{MR} = 0.7 \times V_{DD}$, See Timing Diagrams	65	130	195	ms
t _{PHL}	Propagation delay time, high-to-low-level output	V _{DD} to \overline{RESET} or \overline{RSTVDD} delay			40	μs
t _{PHL}	Propagation delay time, high-to-low-level output	\overline{SENSE} to \overline{RESET} or $\overline{RSTSENSE}$ delay	V _{DD} ≥ 0.8 V, V _{IH} = 1.1 × V _{IT} , V _{IL} = 0.9 × V _{IT}		40	μs
t _{PHL}	Propagation delay time, high-to-low-level output	PFI to \overline{PFO} delay	V _{DD} ≥ 0.8 V, V _{IH} = 1.1 × V _{IT} , V _{IL} = 0.9 × V _{IT}		40	μs
t _{PLH}	Propagation delay time, low-to-high-level output	PFI to \overline{PFO} delay	V _{DD} ≥ 0.8 V, V _{IH} = 1.1 × V _{IT} , V _{IL} = 0.9 × V _{IT}		300	μs

SWITCHING CHARACTERISTICS (continued)

$R_L = 1\text{ M}\Omega$, $C_L = 50\text{ pF}$, and $T_A = -55^\circ\text{C}$ to 125°C (unless otherwise noted)

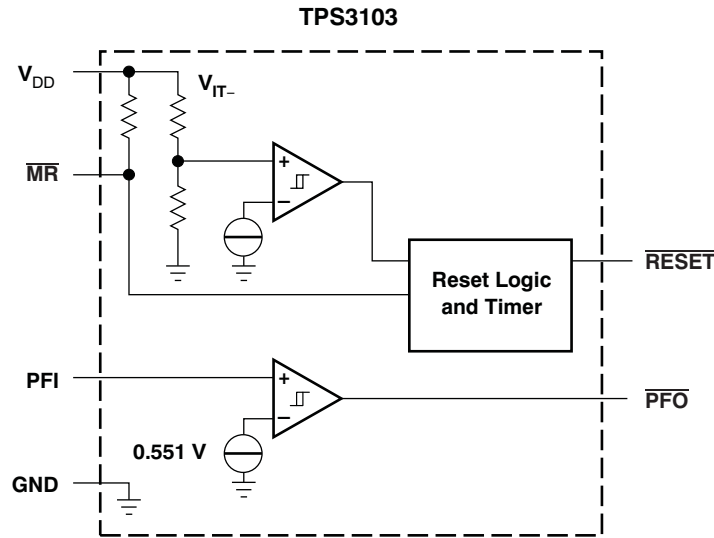
PARAMETER		TEST CONDITIONS	MIN	TYP	MAX	UNIT
t_{PHL}	Propagation delay time, high_to_low-level output	\overline{MR} to RESET, RSTVDD, RSTSENSE delay $V_{DD} \geq 1.1 \times V_{IT}$, $V_{IL} = 0.3 \times V_{DD}$, $V_{IH} = 0.7 \times V_{DD}$		1	5	μs

TIMING REQUIREMENTS

$R_L = 1\text{ M}\Omega$, $C_L = 50\text{ pF}$, and $T_A = -55^\circ\text{C}$ to 125°C (unless otherwise noted)

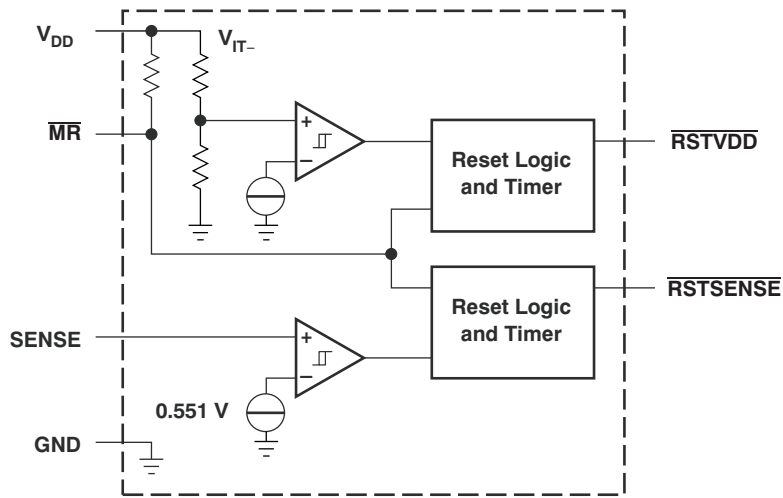
PARAMETER		TEST CONDITIONS	MIN	TYP	MAX	UNIT
$t_{T(OUT)}$	Time-out period	at WDI $V_{DD} \geq 0.85\text{ V}$	0.55	1.1	1.65	s
t_W	Pulse width	at V_{DD} $V_{IH} = 1.1 \times V_{IT}$, $V_{IL} = 0.9 \times V_{IT-}$, $V_{IT-} = 0.86\text{ V}$	20			μs
		at \overline{MR} $V_{DD} \geq V_{IT} + 0.2\text{ V}$, $V_{IL} = 0.3 \times V_{DD}$, $V_{IH} = 0.7 \times V_{DD}$	0.1			
		at SENSE $V_{DD} \geq V_{IT}$, $V_{IH} = 1.1 \times V_{IT-(S)}$, $V_{IL} = 0.9 \times V_{IT-(S)}$	20			
		at PFI $V_{DD} \geq 0.85\text{ V}$, $V_{IH} = 1.1 \times V_{IT-(S)}$, $V_{IL} = 0.9 \times V_{IT-(S)}$	20			
		at WDI $V_{DD} \geq V_{IT}$, $V_{IL} = 0.3 \times V_{DD}$, $V_{IH} = 0.7 \times V_{DD}$	0.3			

FUNCTIONAL BLOCK DIAGRAMS



FUNCTIONAL BLOCK DIAGRAMS (continued)

TPS3106



TPS3110

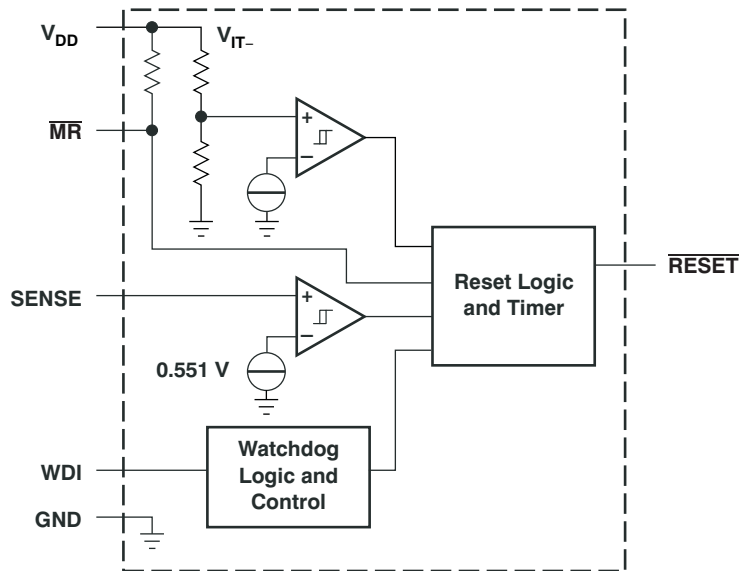


Table 1. TPS3103 FUNCTION TABLE

MR	$V_{(PFI)} > 0.551\text{ V}$	$V_{DD} > V_{IT}$	RESET	PFO
L	0	X ⁽¹⁾	L	L
L	1	X	L	H
H	0	0	L	L
H	0	1	H	L
H	1	0	L	H
H	1	1	H	H

(1) X = Don't care

Table 2. TPS3106 FUNCTION TABLE

MR	$V_{(SENSE)} > 0.551\text{ V}$	$V_{DD} > V_{IT}$	RSTVDD	RSTSENSE
L	X ⁽¹⁾	X	L	L
H	0	0	L	L
H	0	1	H	L
H	1	0	L	H
H	1	1	H	H

(1) X = Don't care

Table 3. TPS3110 FUNCTION TABLE⁽¹⁾

MR	$V_{(SENSE)} > 0.551\text{ V}$	$V_{DD} > V_{IT}$	RESET
L	X ⁽²⁾	X	L
H	0	0	L
H	0	1	L
H	1	0	L
H	1	1	H

(1) Function of watchdog timer not shown

(2) X = Don't care

TIMING DIAGRAMS

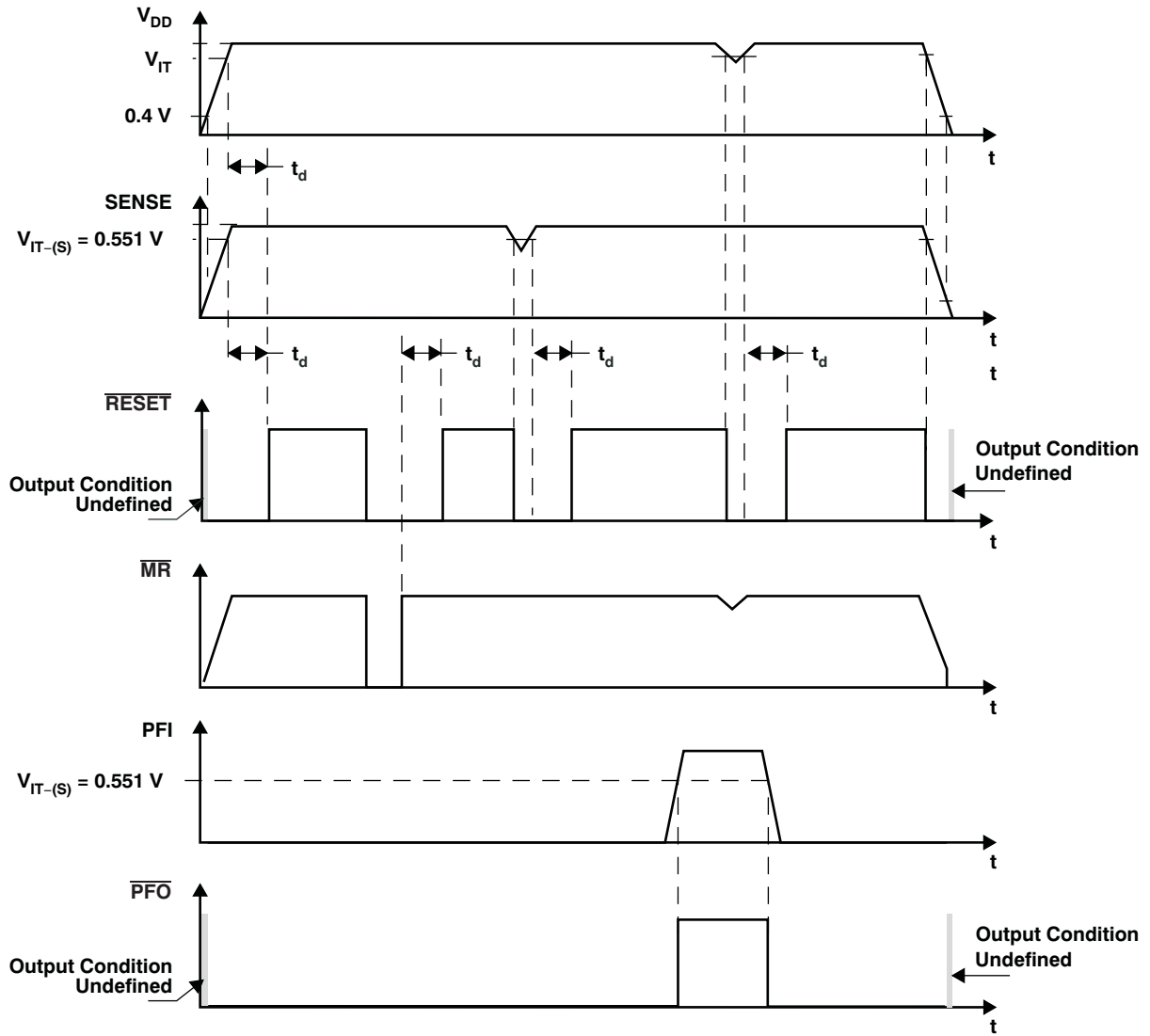


Figure 1. TPS3103 Timing

TIMING DIAGRAMS (continued)

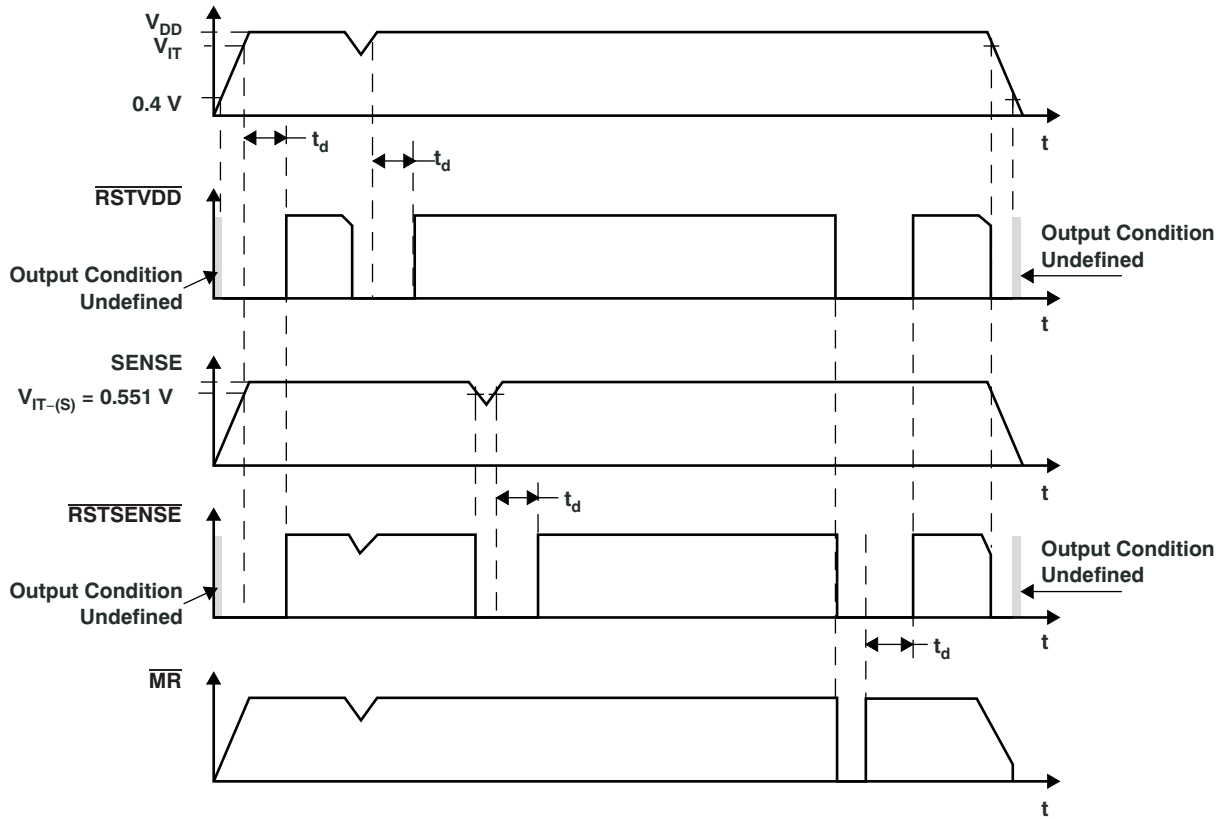


Figure 2. TPS3106 Timing

TIMING DIAGRAMS (continued)

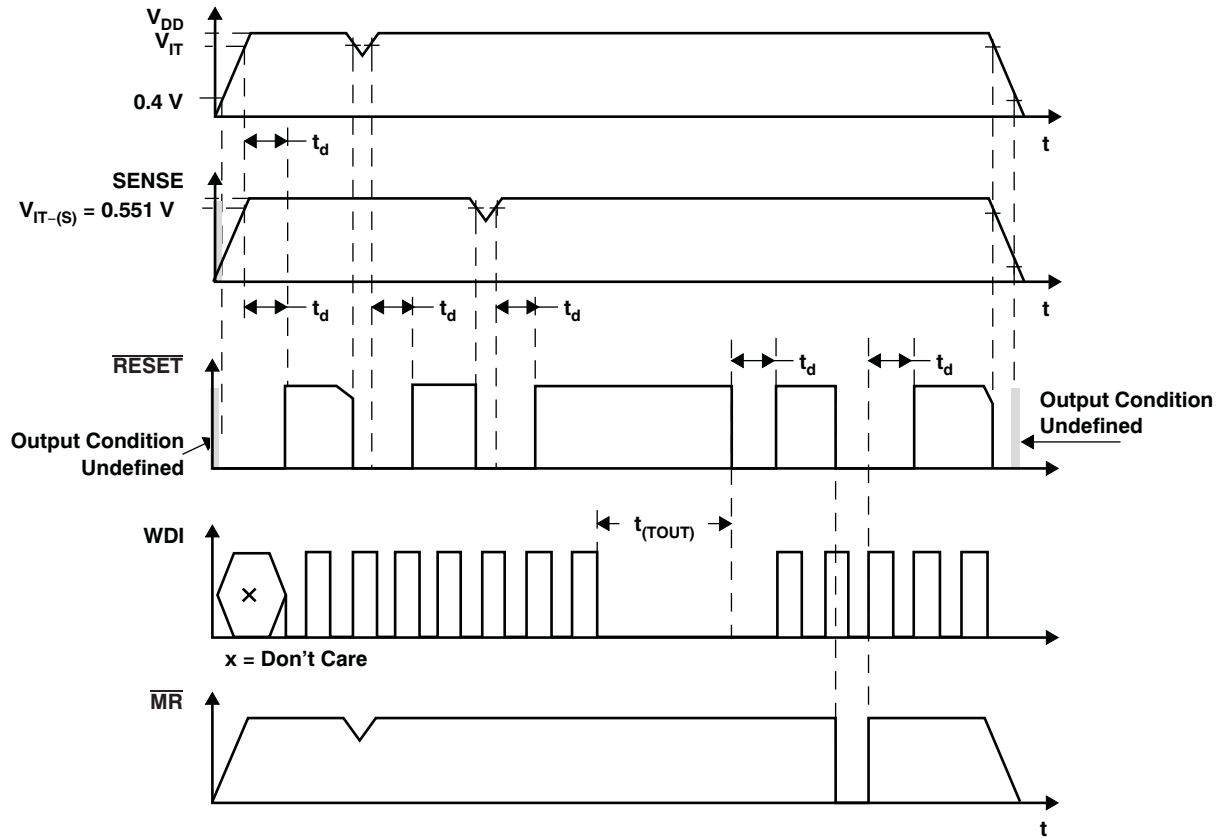


Figure 3. TPS3110 Timing

TYPICAL CHARACTERISTICS

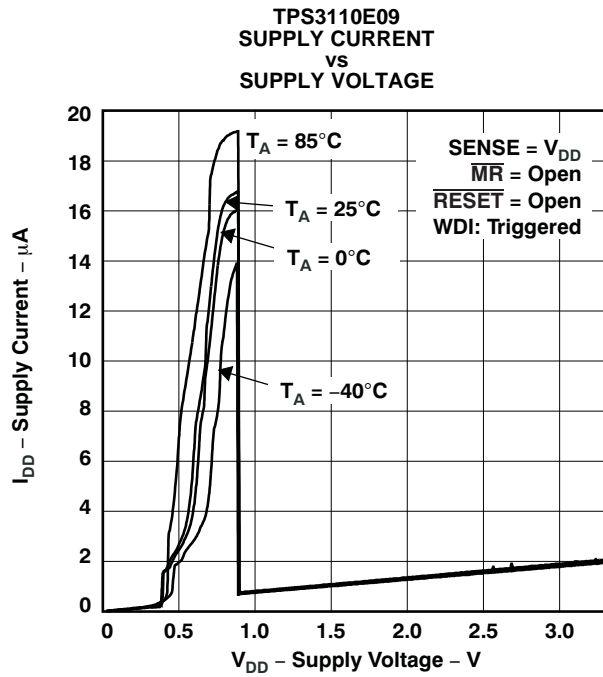


Figure 4.

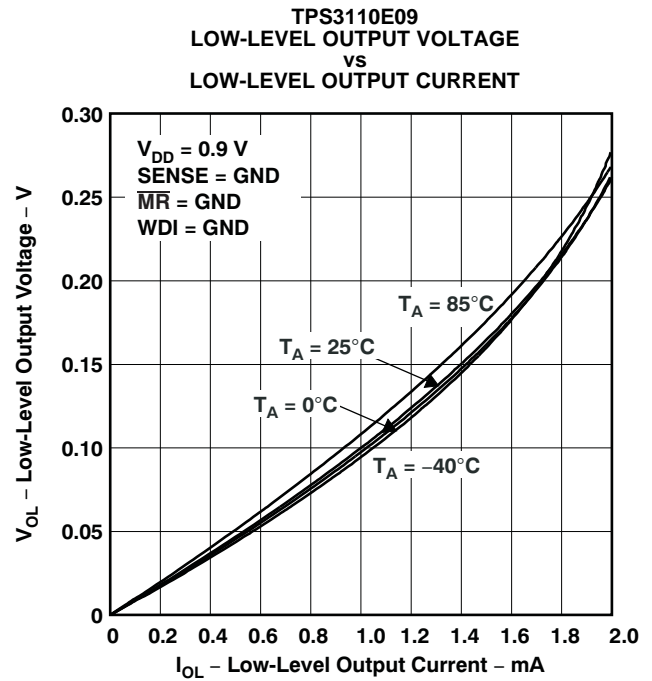


Figure 5.

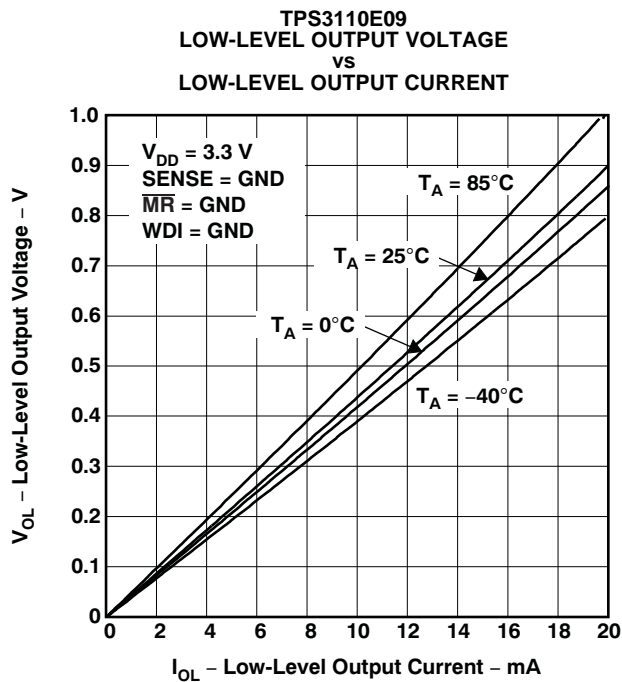


Figure 6.

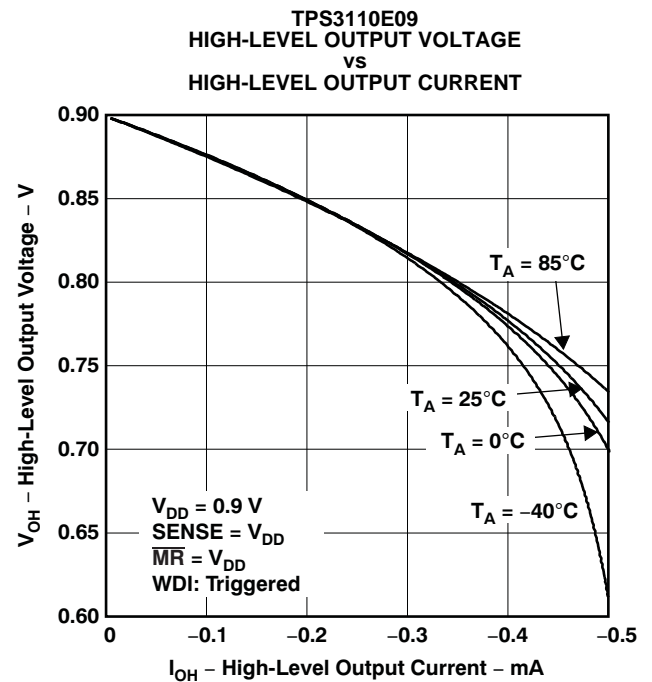


Figure 7.

TYPICAL CHARACTERISTICS (continued)

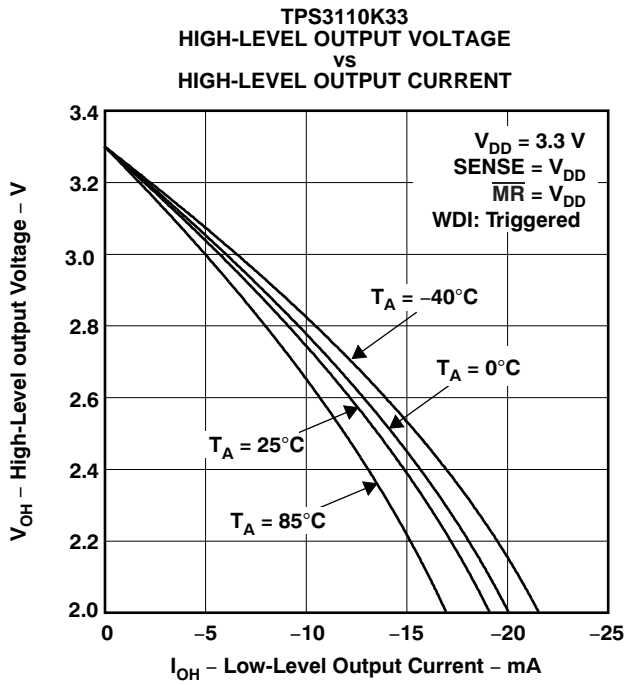


Figure 8.

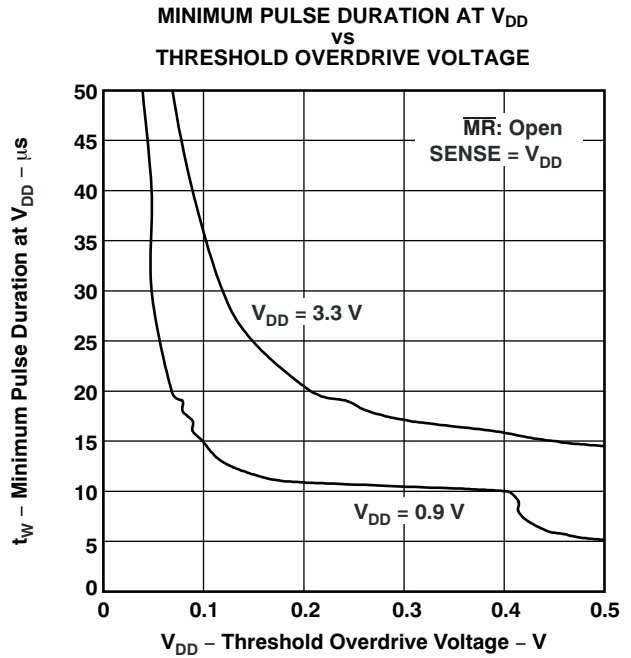


Figure 9.

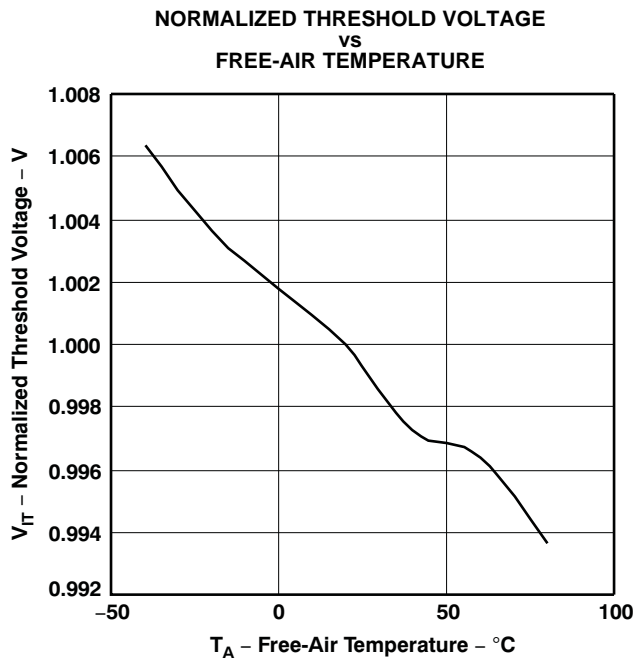


Figure 10.

APPLICATION INFORMATION

The TPS31xx family has a quiescent current in the 1- μ A to 2- μ A range. When $\overline{\text{RESET}}$ is active, triggered by the voltage monitored at V_{DD} , the quiescent current increases to about 20 μ A (see the [Electrical Characteristics](#)).

In some applications, it is necessary to minimize the quiescent current even during the reset period. This is especially true when the voltage of a battery is supervised and the $\overline{\text{RESET}}$ is used to shut down the system or for an early warning. In this case, the reset condition lasts for a longer period of time. The current drawn from the battery should almost be zero, especially when the battery is discharged.

For this kind of application, either the TPS3103 or TPS3106 is a good fit. To minimize current consumption, select a version where the threshold voltage is lower than the voltage monitored at V_{DD} . The TPS3106 has two reset outputs. One output ($\overline{\text{RSTVDD}}$) is triggered from the voltage monitored at V_{DD} . The other output ($\overline{\text{RSTSENSE}}$) is triggered from the voltage monitored at SENSE. In the application shown in [Figure 11](#), the TPS3106E09 is used to monitor the input voltage of two NiCd or NiMH cells. The threshold voltage ($V_{\text{(TH)}} = 0.86$ V) was chosen as low as possible to ensure that the supply voltage is always higher than the threshold voltage at V_{DD} . The voltage of the battery is monitored using the SENSE input. The voltage divider was calculated to assert a reset using the $\overline{\text{RSTSENSE}}$ output at 2×0.8 V = 1.6 V.

$$R1 = R2 \times \left(\frac{V_{\text{TRIP}}}{V_{\text{IT(S)}}} - 1 \right) \quad (1)$$

where:

V_{TRIP} is the voltage of the battery at which a reset is asserted and

$V_{\text{IT(S)}}$ is the threshold voltage at SENSE = 0.551 V.

R1 was chosen for a resistor current in the 1- μ A range.

With $V_{\text{TRIP}} = 1.6$ V:

$R1 \approx 1.9 \times R2$

$R1 = 820$ k Ω , $R2 = 430$ k Ω

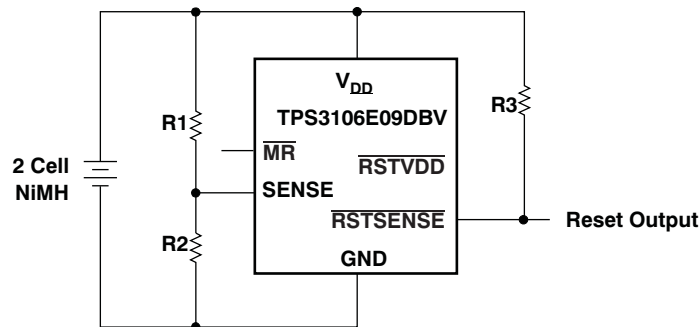


Figure 11. Battery Monitoring with 3- μ A Supply Current for Device and Resistor Divider

APPLICATION INFORMATION (continued)

Watchdog

The TPS3110 device integrates a watchdog timer that must be periodically triggered by a positive or negative transition of WDI. When the supervising system fails to retrigger the watchdog circuit within the time-out interval, $\overline{\text{RESET}}$ becomes active for the time period (t_D). This event also reinitializes the watchdog timer.

Manual Reset ($\overline{\text{MR}}$)

Many μC -based products require manual-reset capability, allowing an operator or logic circuitry to initiate a reset. Logic low at $\overline{\text{MR}}$ asserts reset. Reset remains asserted while $\overline{\text{MR}}$ is low and for a time period (t_D) after $\overline{\text{MR}}$ returns high. The input has an internal 100-k Ω pullup resistor, so it can be left open if it is unused.

Connect a normally open momentary switch from $\overline{\text{MR}}$ to GND to create a manual reset function. External debounce is not required. If $\overline{\text{MR}}$ is driven from long cables or if the device is used in noisy environments, connecting a 0.1- μF capacitor from $\overline{\text{MR}}$ to GND provides additional noise immunity.

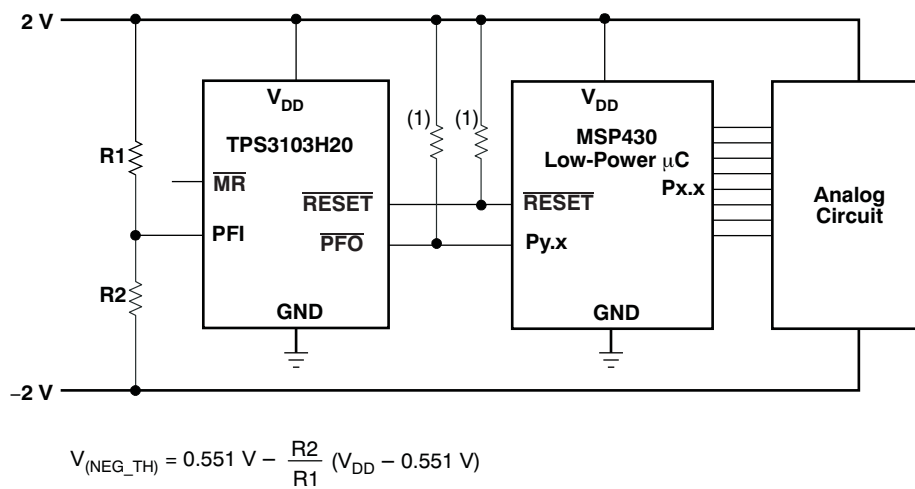
PFI, $\overline{\text{PFO}}$

The TPS3103 has an integrated power-fail input (PFI) comparator with a separate open-drain power-fail output ($\overline{\text{PFO}}$). The PFI and $\overline{\text{PFO}}$ can be used for low-battery detection, power-fail warning, or for monitoring a power supply other than the main supply.

An additional comparator is provided to monitor voltages other than the nominal supply voltage. The PFI is compared with an internal voltage reference of 0.551 V. If the input voltage falls below the power-fail threshold ($V_{\text{IT-(S)}}$), the $\overline{\text{PFO}}$ goes low. If it goes above 0.551 V plus approximately 15-mV hysteresis, the output returns to high. By connecting two external resistors, it is possible to supervise any voltage above 0.551 V. The sum of both resistors should be approximately 1 M Ω , to minimize power consumption and to ensure that the current into the PFI pin can be neglected, compared with the current through the resistor network. The tolerance of the external resistors should be not more than 1% to ensure minimal variation of sensed voltage. If the power-fail comparator is unused, connect PFI to GND and leave $\overline{\text{PFO}}$ unconnected. For proper operation of the PFI comparator, the supply voltage (V_{DD}) must be higher than 0.8 V.

SENSE

The voltage at the SENSE input is compared with a reference voltage of 0.551 V. If the voltage at SENSE falls below the sense-threshold ($V_{\text{IT-(S)}}$), reset is asserted. On the TPS3106, a dedicated $\overline{\text{RSTSENSE}}$ output is available. On the TPS3110, the logic signal from SENSE is OR-wired with the logic signal from V_{DD} or $\overline{\text{MR}}$. An internal timer delays the return of the output to the inactive state, once the voltage at SENSE goes above 0.551 V plus about 15 mV of hysteresis. For proper operation of the SENSE comparator, the supply voltage must be higher than 0.8 V.



(1) Resistor may be integrated in μC .

Figure 12. TPS3103 Monitoring a Negative Voltage

APPLICATION INFORMATION (continued)

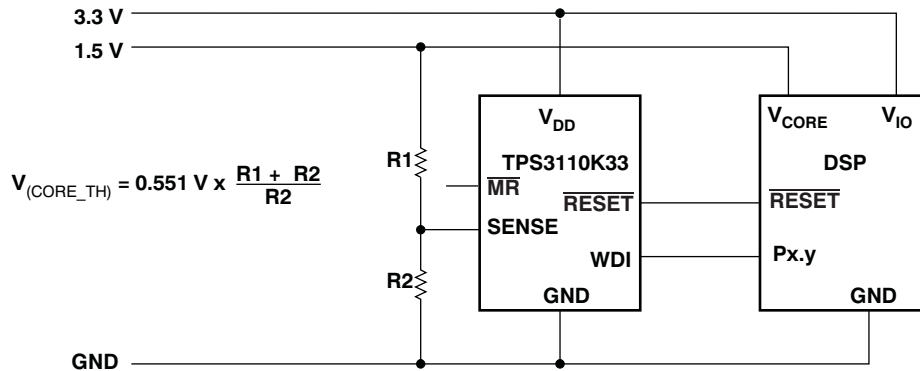


Figure 13. TPS3110 in a DSP System Monitoring Both Supply Voltages

PACKAGING INFORMATION

Orderable Device	Status ⁽¹⁾	Package Type	Package Drawing	Pins	Package Qty	Eco Plan ⁽²⁾	Lead/Ball Finish	MSL Peak Temp ⁽³⁾
TPS3106K33MDBVREP	ACTIVE	SOT-23	DBV	6	3000	Green (RoHS & no Sb/Br)	CU NIPDAU	Level-1-260C-UNLIM
V62/06643-07XE	ACTIVE	SOT-23	DBV	6	3000	Green (RoHS & no Sb/Br)	CU NIPDAU	Level-1-260C-UNLIM

⁽¹⁾ The marketing status values are defined as follows:

ACTIVE: Product device recommended for new designs.

LIFEBUY: TI has announced that the device will be discontinued, and a lifetime-buy period is in effect.

NRND: Not recommended for new designs. Device is in production to support existing customers, but TI does not recommend using this part in a new design.

PREVIEW: Device has been announced but is not in production. Samples may or may not be available.

OBsolete: TI has discontinued the production of the device.

⁽²⁾ Eco Plan - The planned eco-friendly classification: Pb-Free (RoHS), Pb-Free (RoHS Exempt), or Green (RoHS & no Sb/Br) - please check <http://www.ti.com/productcontent> for the latest availability information and additional product content details.

TBD: The Pb-Free/Green conversion plan has not been defined.

Pb-Free (RoHS): TI's terms "Lead-Free" or "Pb-Free" mean semiconductor products that are compatible with the current RoHS requirements for all 6 substances, including the requirement that lead not exceed 0.1% by weight in homogeneous materials. Where designed to be soldered at high temperatures, TI Pb-Free products are suitable for use in specified lead-free processes.

Pb-Free (RoHS Exempt): This component has a RoHS exemption for either 1) lead-based flip-chip solder bumps used between the die and package, or 2) lead-based die adhesive used between the die and leadframe. The component is otherwise considered Pb-Free (RoHS compatible) as defined above.

Green (RoHS & no Sb/Br): TI defines "Green" to mean Pb-Free (RoHS compatible), and free of Bromine (Br) and Antimony (Sb) based flame retardants (Br or Sb do not exceed 0.1% by weight in homogeneous material)

⁽³⁾ MSL, Peak Temp. -- The Moisture Sensitivity Level rating according to the JEDEC industry standard classifications, and peak solder temperature.

Important Information and Disclaimer:The information provided on this page represents TI's knowledge and belief as of the date that it is provided. TI bases its knowledge and belief on information provided by third parties, and makes no representation or warranty as to the accuracy of such information. Efforts are underway to better integrate information from third parties. TI has taken and continues to take reasonable steps to provide representative and accurate information but may not have conducted destructive testing or chemical analysis on incoming materials and chemicals. TI and TI suppliers consider certain information to be proprietary, and thus CAS numbers and other limited information may not be available for release.

In no event shall TI's liability arising out of such information exceed the total purchase price of the TI part(s) at issue in this document sold by TI to Customer on an annual basis.

TAPE AND REEL INFORMATION



QUADRANT ASSIGNMENTS FOR PIN 1 ORIENTATION IN TAPE



*All dimensions are nominal

Device	Package Type	Package Drawing	Pins	SPQ	Reel Diameter (mm)	Reel Width W1 (mm)	A0 (mm)	B0 (mm)	K0 (mm)	P1 (mm)	W (mm)	Pin1 Quadrant
TPS3106K33MDBVREP	SOT-23	DBV	6	3000	180.0	9.0	3.15	3.2	1.4	4.0	8.0	Q3

TAPE AND REEL BOX DIMENSIONS



*All dimensions are nominal

Device	Package Type	Package Drawing	Pins	SPQ	Length (mm)	Width (mm)	Height (mm)
TPS3106K33MDBVREP	SOT-23	DBV	6	3000	182.0	182.0	20.0

DBV (R-PDSO-G6)

PLASTIC SMALL-OUTLINE PACKAGE



- NOTES:
- A. All linear dimensions are in millimeters.
 - B. This drawing is subject to change without notice.
 - C. Body dimensions do not include mold flash or protrusion. Mold flash and protrusion shall not exceed 0.15 per side.
 - D. Leads 1,2,3 may be wider than leads 4,5,6 for package orientation.
- \triangle Falls within JEDEC MO-178 Variation AB, except minimum lead width.

DBV (R-PDSO-G6)

PLASTIC SMALL OUTLINE



- NOTES:
- A. All linear dimensions are in millimeters.
 - B. This drawing is subject to change without notice.
 - C. Customers should place a note on the circuit board fabrication drawing not to alter the center solder mask defined pad.
 - D. Publication IPC-7351 is recommended for alternate designs.
 - E. Laser cutting apertures with trapezoidal walls and also rounding corners will offer better paste release. Customers should contact their board assembly site for stencil design recommendations. Example stencil design based on a 50% volumetric metal load solder paste. Refer to IPC-7525 for other stencil recommendations.

IMPORTANT NOTICE

Texas Instruments Incorporated and its subsidiaries (TI) reserve the right to make corrections, modifications, enhancements, improvements, and other changes to its products and services at any time and to discontinue any product or service without notice. Customers should obtain the latest relevant information before placing orders and should verify that such information is current and complete. All products are sold subject to TI's terms and conditions of sale supplied at the time of order acknowledgment.

TI warrants performance of its hardware products to the specifications applicable at the time of sale in accordance with TI's standard warranty. Testing and other quality control techniques are used to the extent TI deems necessary to support this warranty. Except where mandated by government requirements, testing of all parameters of each product is not necessarily performed.

TI assumes no liability for applications assistance or customer product design. Customers are responsible for their products and applications using TI components. To minimize the risks associated with customer products and applications, customers should provide adequate design and operating safeguards.

TI does not warrant or represent that any license, either express or implied, is granted under any TI patent right, copyright, mask work right, or other TI intellectual property right relating to any combination, machine, or process in which TI products or services are used. Information published by TI regarding third-party products or services does not constitute a license from TI to use such products or services or a warranty or endorsement thereof. Use of such information may require a license from a third party under the patents or other intellectual property of the third party, or a license from TI under the patents or other intellectual property of TI.

Reproduction of TI information in TI data books or data sheets is permissible only if reproduction is without alteration and is accompanied by all associated warranties, conditions, limitations, and notices. Reproduction of this information with alteration is an unfair and deceptive business practice. TI is not responsible or liable for such altered documentation. Information of third parties may be subject to additional restrictions.

Resale of TI products or services with statements different from or beyond the parameters stated by TI for that product or service voids all express and any implied warranties for the associated TI product or service and is an unfair and deceptive business practice. TI is not responsible or liable for any such statements.

TI products are not authorized for use in safety-critical applications (such as life support) where a failure of the TI product would reasonably be expected to cause severe personal injury or death, unless officers of the parties have executed an agreement specifically governing such use. Buyers represent that they have all necessary expertise in the safety and regulatory ramifications of their applications, and acknowledge and agree that they are solely responsible for all legal, regulatory and safety-related requirements concerning their products and any use of TI products in such safety-critical applications, notwithstanding any applications-related information or support that may be provided by TI. Further, Buyers must fully indemnify TI and its representatives against any damages arising out of the use of TI products in such safety-critical applications.

TI products are neither designed nor intended for use in military/aerospace applications or environments unless the TI products are specifically designated by TI as military-grade or "enhanced plastic." Only products designated by TI as military-grade meet military specifications. Buyers acknowledge and agree that any such use of TI products which TI has not designated as military-grade is solely at the Buyer's risk, and that they are solely responsible for compliance with all legal and regulatory requirements in connection with such use.

TI products are neither designed nor intended for use in automotive applications or environments unless the specific TI products are designated by TI as compliant with ISO/TS 16949 requirements. Buyers acknowledge and agree that, if they use any non-designated products in automotive applications, TI will not be responsible for any failure to meet such requirements.

Following are URLs where you can obtain information on other Texas Instruments products and application solutions:

Products

Audio	www.ti.com/audio
Amplifiers	amplifier.ti.com
Data Converters	dataconverter.ti.com
DLP® Products	www.dlp.com
DSP	dsp.ti.com
Clocks and Timers	www.ti.com/clocks
Interface	interface.ti.com
Logic	logic.ti.com
Power Mgmt	power.ti.com
Microcontrollers	microcontroller.ti.com
RFID	www.ti-rfid.com
RF/IF and ZigBee® Solutions	www.ti.com/lprf

Applications

Communications and Telecom	www.ti.com/communications
Computers and Peripherals	www.ti.com/computers
Consumer Electronics	www.ti.com/consumer-apps
Energy and Lighting	www.ti.com/energy
Industrial	www.ti.com/industrial
Medical	www.ti.com/medical
Security	www.ti.com/security
Space, Avionics and Defense	www.ti.com/space-avionics-defense
Transportation and Automotive	www.ti.com/automotive
Video and Imaging	www.ti.com/video
Wireless	www.ti.com/wireless-apps

TI E2E Community Home Page

e2e.ti.com

Mailing Address: Texas Instruments, Post Office Box 655303, Dallas, Texas 75265
Copyright © 2011, Texas Instruments Incorporated